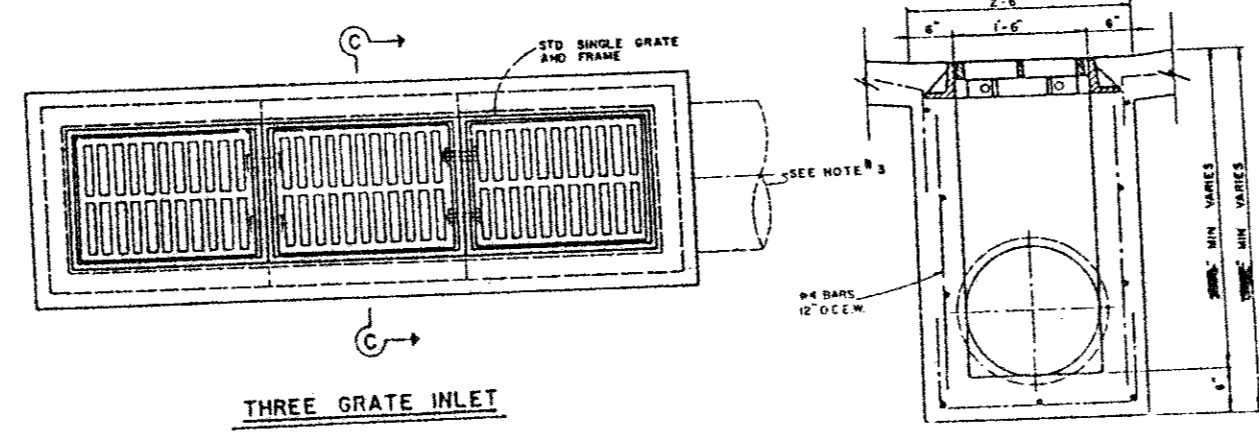


REVISION	DATE	DESCRIPTION	BY	CHECKS

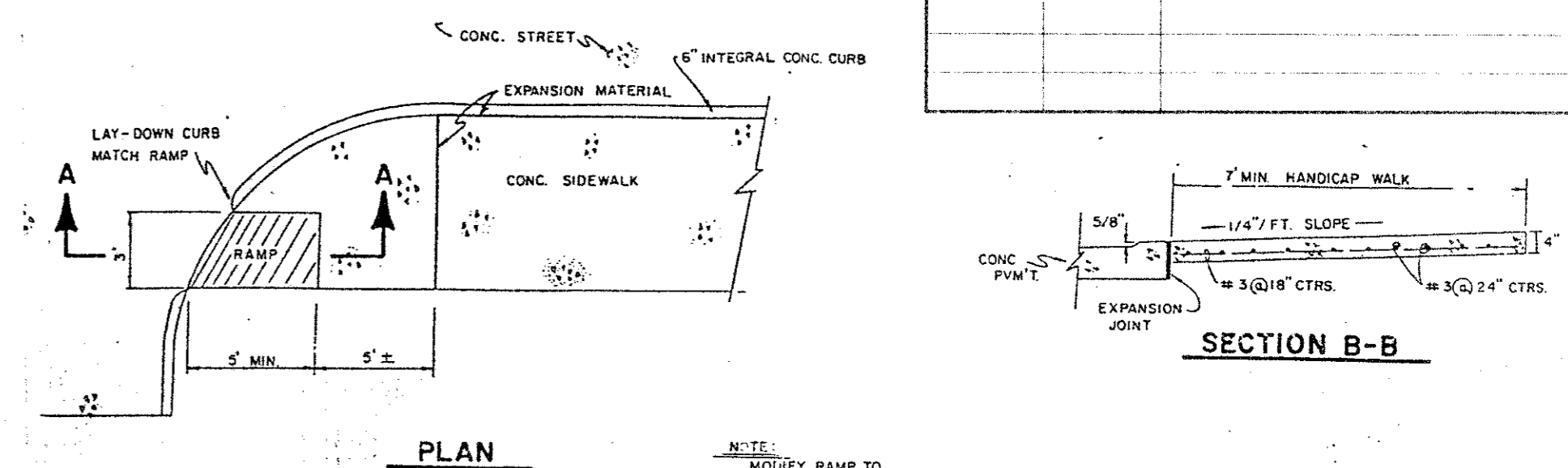


THREE GRATE INLET

SECTION C-C

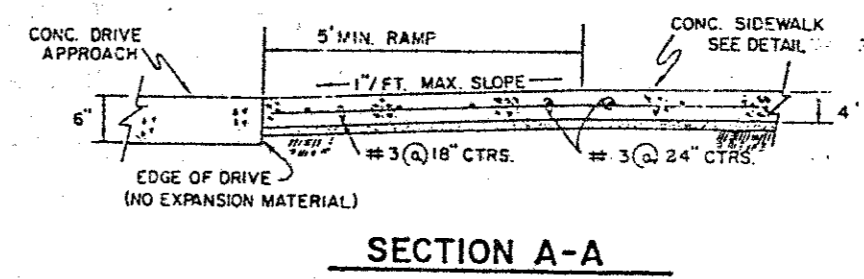
NOTES

1. ALL LAPS AND EXTENSIONS OF REINFORCING BARS SHALL BE 10 DIA TRANSVERSE UNLESS NOTED OTHERWISE.
2. LAY "F" GRATE IN PLACE OF USE & FILL WITH 1/2" SAND.
3. WALL SHALL NOT ENTER ANY CONNECTION.
4. CONCRETE TO BE MIN OF 4000 PSI.

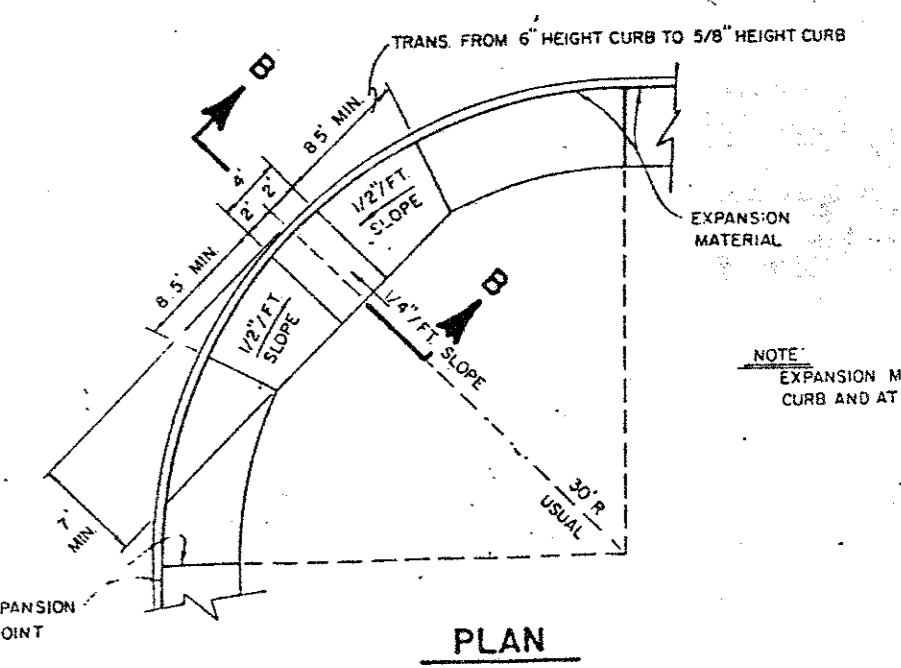


PLAN

SECTION B-B



SECTION A-A



PLAN

CONCRETE SIDEWALK DETAIL

GENERAL NOTES

Reinforced concrete sidewalk shall be 5 or 7 feet wide, a minimum of four (4) inches thick and shall be 3000 psi at 28 days (5 sack mix). Unless noted otherwise.

Chamber all exposed edges of concrete (1/4) inch.

All bar dimensions are given as center to center of bars and are located as shown.

All reinforcing steel shall be No. 3 on 18 inch centers longitudinally, 24 inch centers transversely and shall conform to the requirements of ASTM A-615, Grade 60.

1" thick min. fine, washed sand cushion shall be free from organic materials or clays and shall be used for grade adjustment.

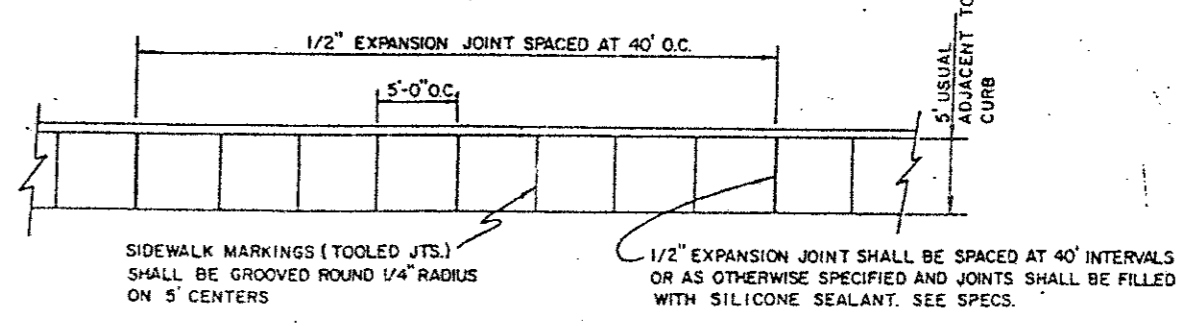
Subgrade shall be compacted to a density not less than 95% at optimum moisture.

Tooled joints (contraction joints) shall be on five (5) foot centers and shall be round one-fourth (1/4) inch radius.

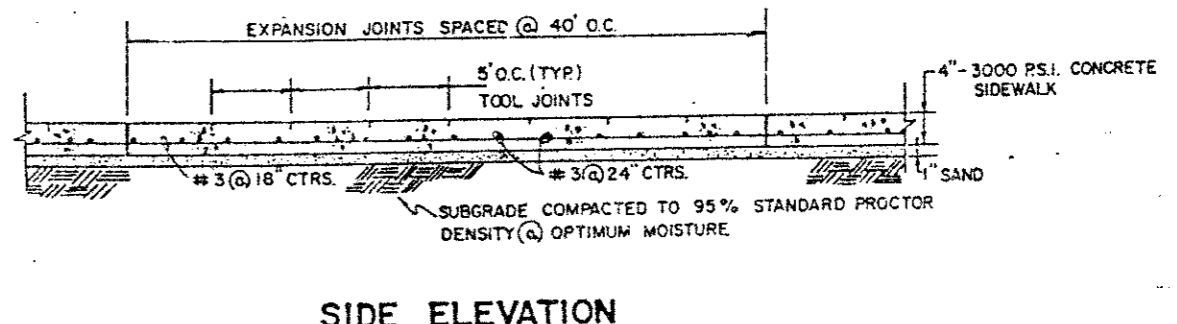
A one-half (1/2) inch expansion joint shall be placed every eight (8) feet, and where works abut old work, or where new work is constructed adjacent to other concrete, a one-half inch expansion joint shall be used where sidewalk is adjacent to curb, the expansion joint shall be made of pre-molded bituminous expansion joint filler or redwood with silicone sealant. See Specs.

Sidewalks shall be finished by lightly brooming surface transversely to direction of main traffic or where adjacent sidewalks differ from this standard, new sidewalks shall conform to adjacent sidewalk (e.g. exposed aggregate).

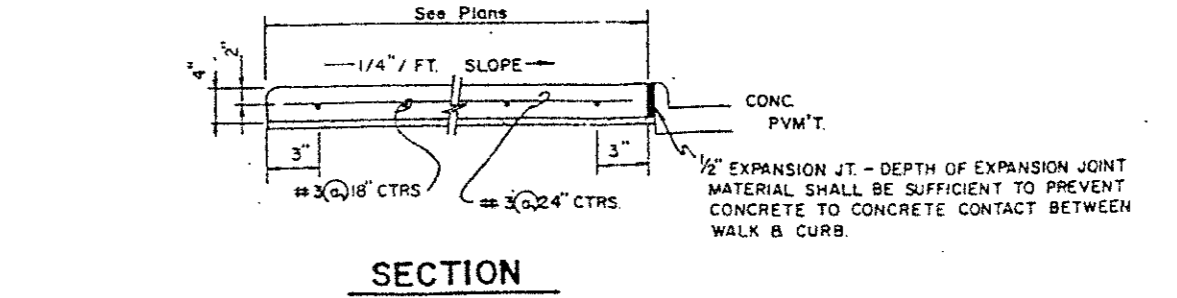
Curb: slope walk one-fourth (1/4) inch per foot towards curb or as shown on the drawings to provide drainage.



PLAN

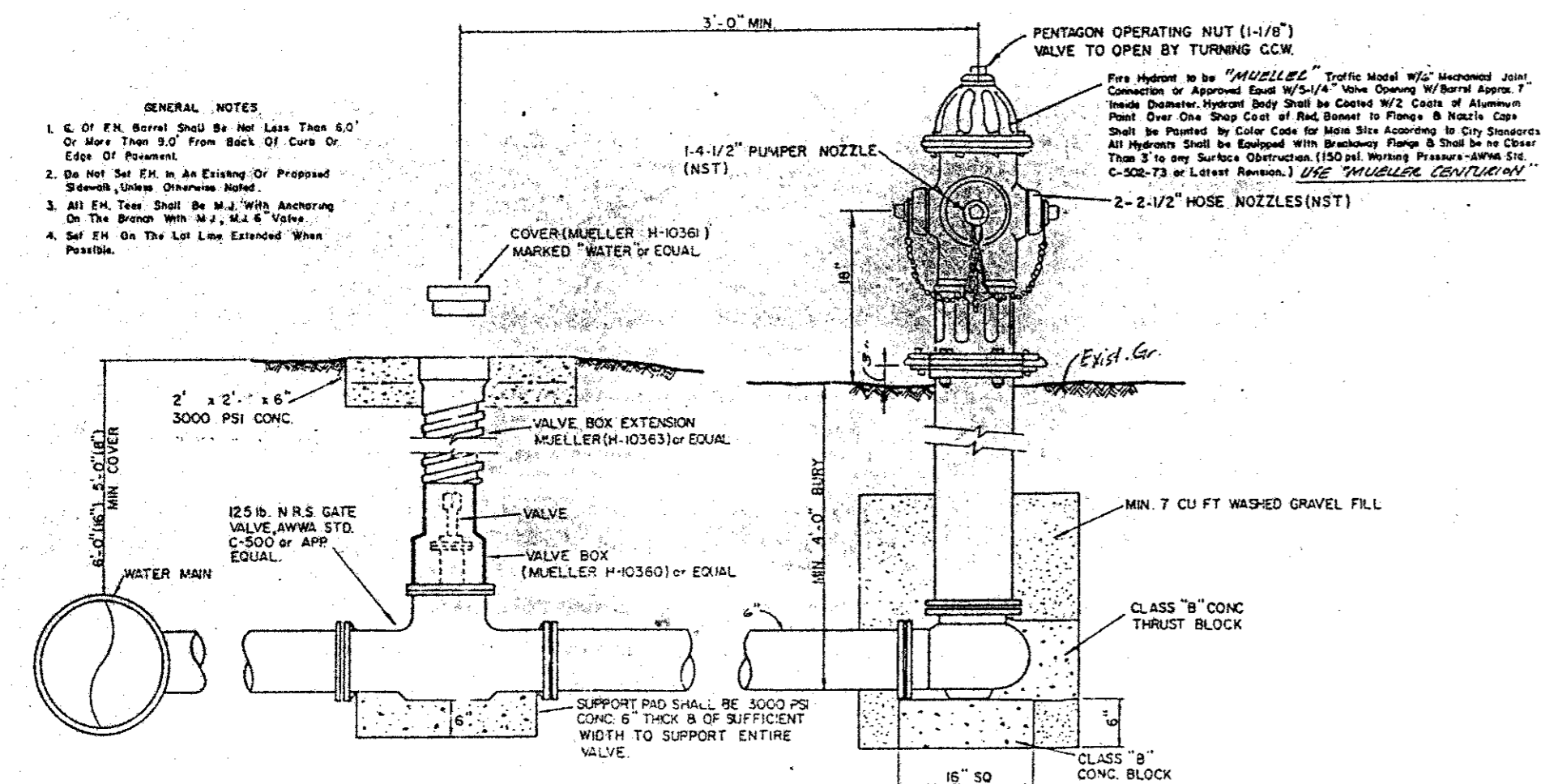


SIDE ELEVATION



SECTION

- GENERAL NOTES**
1. It is to final acceptance by the Town of Addison.
 2. A Texas Registered Professional Engineer shall certify that the project is in accordance with the plans and specifications approved by the Town of Addison.
 3. The owner shall provide 1 reproducible set of submittals (sealed and certified by a Texas Registered Engineer) in 2 blue line sets.
 4. A five foot sidewalk shall be installed along Lee's Lane. See attached detail.
 5. A one year 10% maintenance bond is required for the internal subdivision infrastructure.
 6. Contractor shall demonstrate that the water and sanitary sewer systems meet the proper pressure, bacteria, and material tests. In addition, the owner shall provide a 1/2" format video log of the sanitary sewer.
 7. Prior to starting construction, the contractor shall contact the utility companies to locate existing facilities. These include, but may not be limited to the following:
 - 1) Town of Addison
 - 2) Lone Star Gas
 - 3) Southwestern Bell
 - 4) Starline Cable
 - 5) Trained Cable Systems
 - 6) TUE Electric
 8. Prior to beginning construction, the owner or his authorized representative shall verify a Pre-Construction Conference between the Town of Addison, Consulting Engineer, Contractor(s), Utility companies and any other affected parties. Notify Bruce Ellis 450-2847 at least 48 hours prior to beginning of construction.
 9. Any existing pavements, curbs, and/or sidewalks damaged or removed will be repaired by the contractor at their expense.
 10. Low plus shall be installed after construction and prior to final acceptance. Concrete monuments shall be placed as shown on the final plan and iron pins shall be placed a 300K corner, curve points and angle points in public right-of-way. Concrete monuments shall be six (6) inches in diameter and twenty-four (24) inches long. An iron monument shall be six (6) inches in diameter and twenty-four (24) inches long. An iron cross intersecting a point of the monument. The monuments shall be set at such an elevation that after construction, the top of the monument will be not less than twelve (12) inches below the grade of surface.
 11. The contractor shall stamp a 2 inch "S" and 2 inch "W" in the curb at the location of the sewer service and water service lines, respectively.
 12. At intersections that have valley drainage, the crown of the intersecting streets will continue in a flat line of 40 feet from the intersection, curb line unless otherwise noted.
 13. Temporary or permanent street barricades shall remain at all points of ingress and egress to prevent public use until such street received final acceptance.
 14. Contractor shall obtain a right-of-way permit by the Town of Addison for working within the public right-of-way.
 15. During construction, the owner shall provide a qualified geotechnical lab to perform materials testing during the construction, at the request of the Town of Addison.
 16. The contractor shall submit material sheets to the Town of Addison for approval prior to incorporating materials into the job.
 17. The utility contractor shall submit to the Town of Addison for approval a trench safety plan sealed by a registered professional engineer for the installation of utilities greater than five (5) feet in depth.



VALVE BOX DETAIL

FIRE HYDRANT INSTALLATION

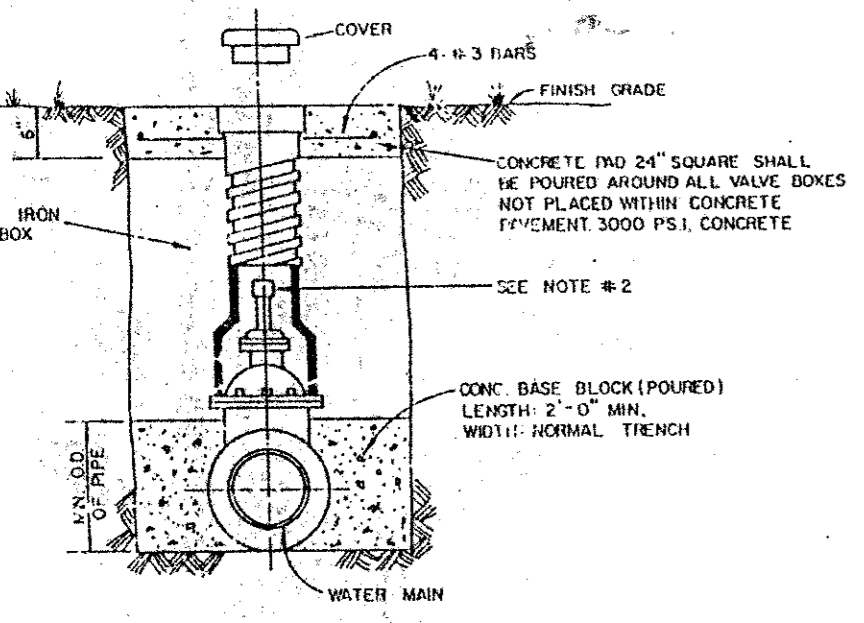
GENERAL NOTES

1. 6" OF F.W. BEARD STOP BY NOT LESS THAN 6" OR MORE THAN 2" FROM BACK OF CURB OR EDGE OF PAVEMENT.
2. DO NOT SET FIRE IN AN EXTENSION OF PAVEMENT STREET UNLESS OTHERWISE NOTED.
3. ALL FIRE TAP SHALL BE MADE WITH APPROVED ON THE DRAWING WITH W.P. 4" VALVE.
4. SET FIRE ON THE LOW END EXTENDED WHEN PRACTICABLE.

GATE VALVES AND VALVE BOXES

GATE VALVES SHALL BE IRON BODY, BRASS OR BRASS MOUNTED, NON-RISING STEM PARALLEL SEAT TYPE VALVES SHALL BE OF EQUAL OR GREATER PRESSURE CLASS THAN THE PIPING IN WHICH THEY ARE TO BE INSTALLED.

VALVE BOXES SHALL BE CAST IRON AND SHALL BE OF SUFFICIENT LENGTH AND DIAMETER TO OPERATE ALL VALVES BURIED IN THE GROUND COVERS SHALL BE MARKED "WATER" THE BOXES SHALL REST ON THE VALVE AND BE ADJUSTED SO THAT THE COVER MAY BE SET FLUSH WITH THE FINISHED GRADE.

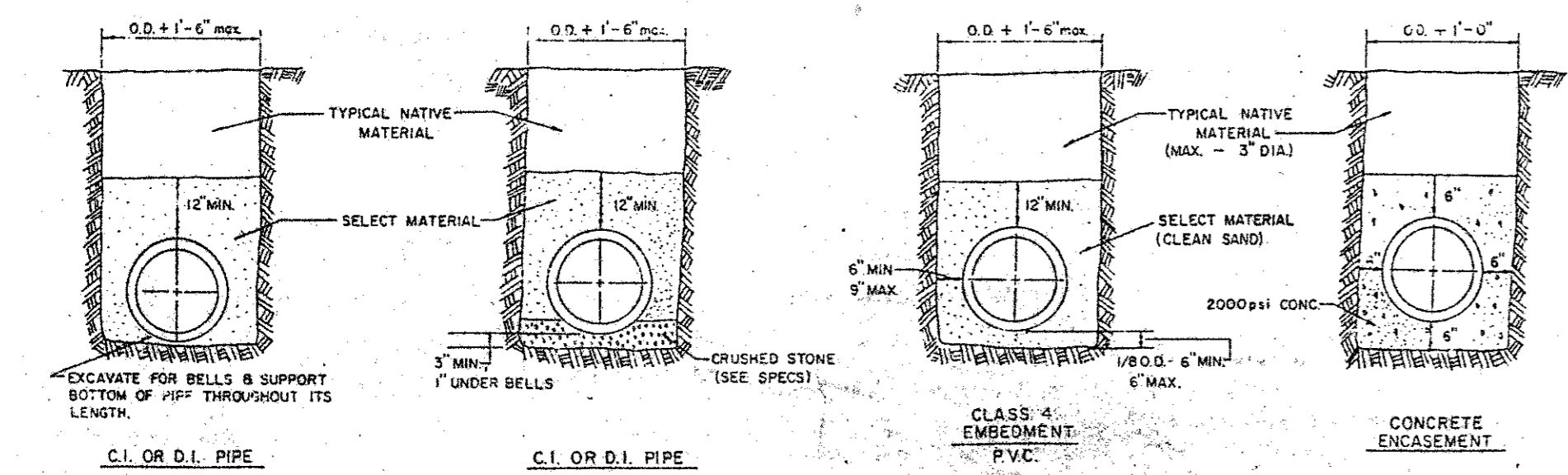


TYPICAL WATER SERVICE DETAIL

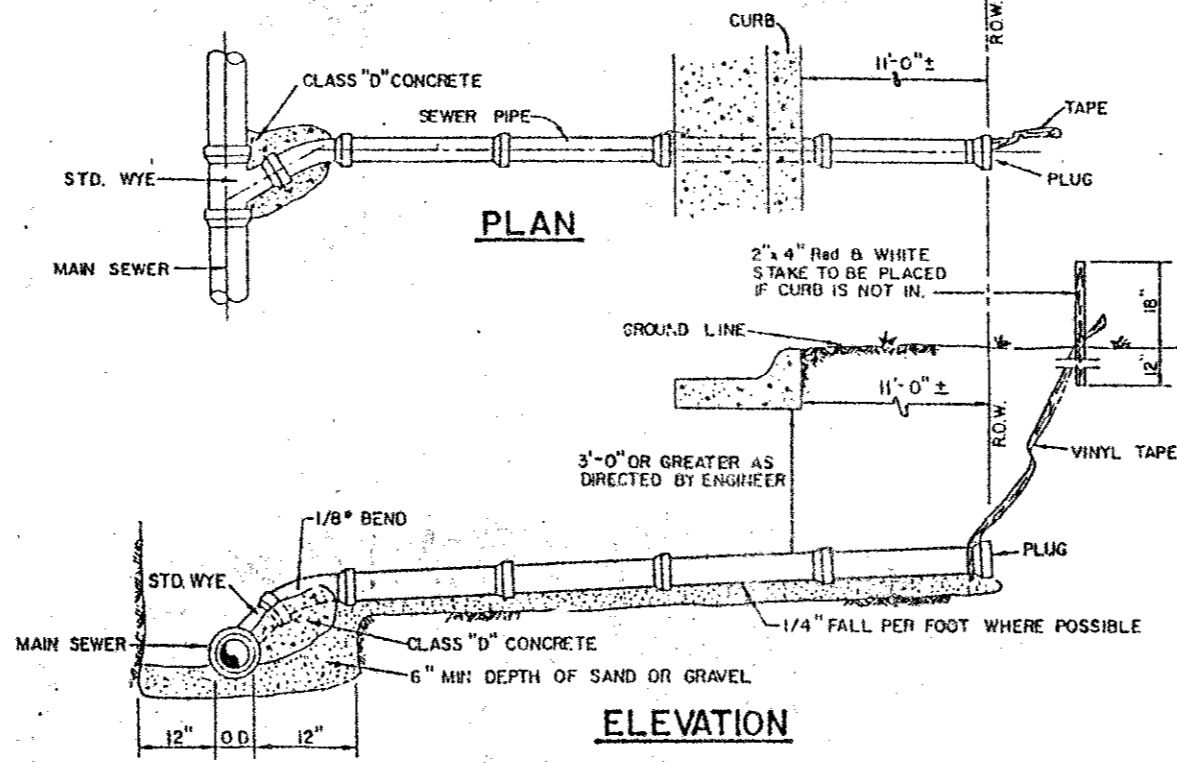
NOTE:

1. GATE VALVES SHALL BE IN ACCORDANCE WITH APWA STANDARD C-509-80 OR LATEST THEREOF. ALL VALVES SHALL BE "WATER" OR APPROVED EQUAL.
2. A PERMANENTLY ATTACHED VALVE EXTENSION STEM SHALL BE REQUIRED FOR ANY VALVE THAT OPERATING NUT IS LOCATED IN EXCESS OF 4 FEET BELOW THE TOP OF VALVE BOX. THIS EXTENSION SHALL BE OF SUFFICIENT LENGTH TO INSURE THAT ITS TOP IS WITHIN 4" OF VALVE BOX LID. MANUFACTURED VALVE STACK DUCTILE IRON PIPE TO BE USED FOR EXTENSION GREATER THAN 4" O.D. BELL END OF STACK TO BE FITTED OVER VALVE. VALVE AND VALVE STACK IS TO BE POLY WROUGHT.
3. VALVES SHALL BE OF DUCTILE IRON W/RUBBER ENCAPSULATED DISK BODY BOLTS SHALL BE STAINLESS STEEL OF SAME SIZE ON EACH VALVE.

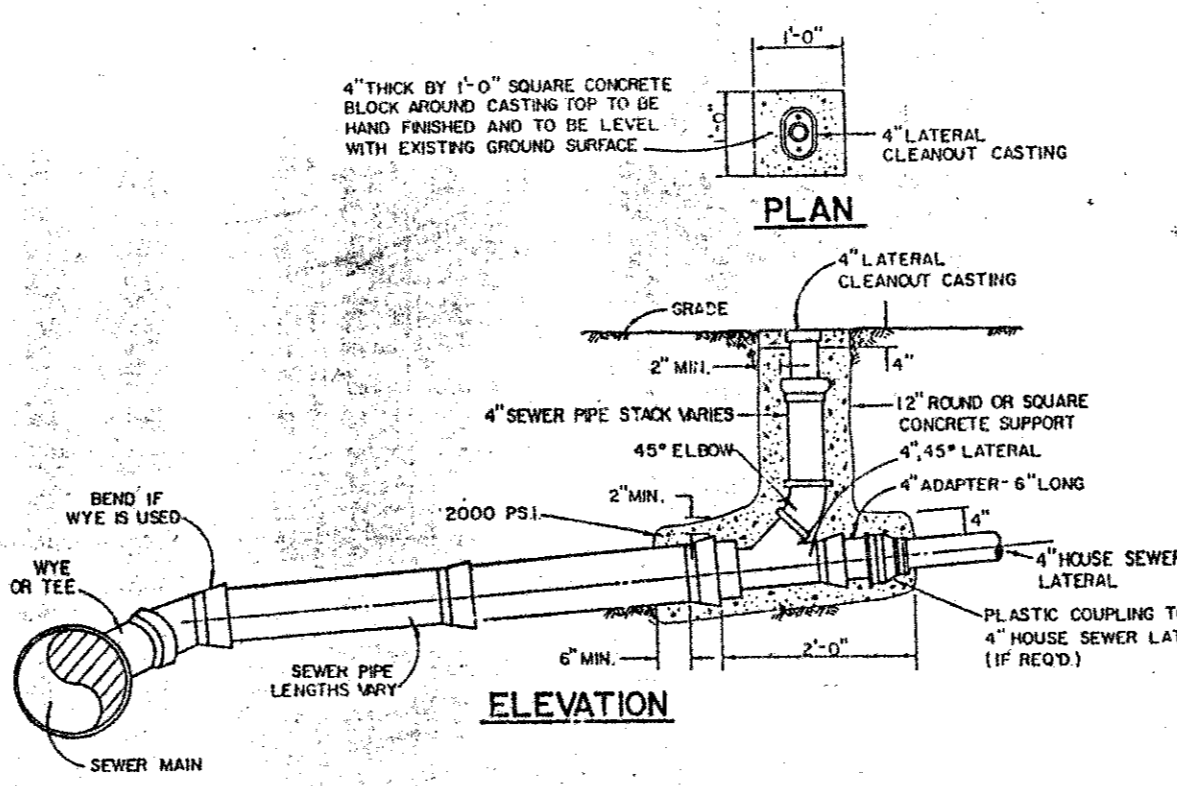
TYPICAL VALVE SETTING AND BOX



EMBEDMENT DETAILS FOR WATER MAIN



SANITARY SEWER SERVICE CONNECTION



TYPICAL CLEANOUTS

ALL PVC SANITARY SEWER PIPE TO BE SDR 35 WITH INTEGRAL BELL. IT SHALL BE THE RESPONSIBILITY OF THE CONTRACTOR TO FIELD LOCATE HORIZONTALLY EACH 4' SERVICE IN RELATION TO THE SANITARY SEWER STATIONING. FIELD TIES ARE TO BE INCLUDED AND RECORDED ON ACCUMULATED SANITARY SEWER WYE. THIS WYE, WHICH ORIGIN IN COLOR IS TO BE ATTACHED TO THE 4' SERVICE AT THE ROW LINE AND BROUGHT TO THE SURFACE TO BE USED AS A PERMANENT MARKER.

DETAILS

SLEEP INN HOTEL

CITY OF ADDISON, TEXAS

THE NELSON CORPORATION
PLANNING ENGINEERING SURVEYING

5698 SUMMERSIDE DRIVE SUITE 202 DALLAS, TEXAS 75262 (214) 380-2600

DESIGN	DRAWN	DATE	SCALE	FILE	SHEET NO.
TNC	TNC	02/27/95	1"=20'	9501800	C-6