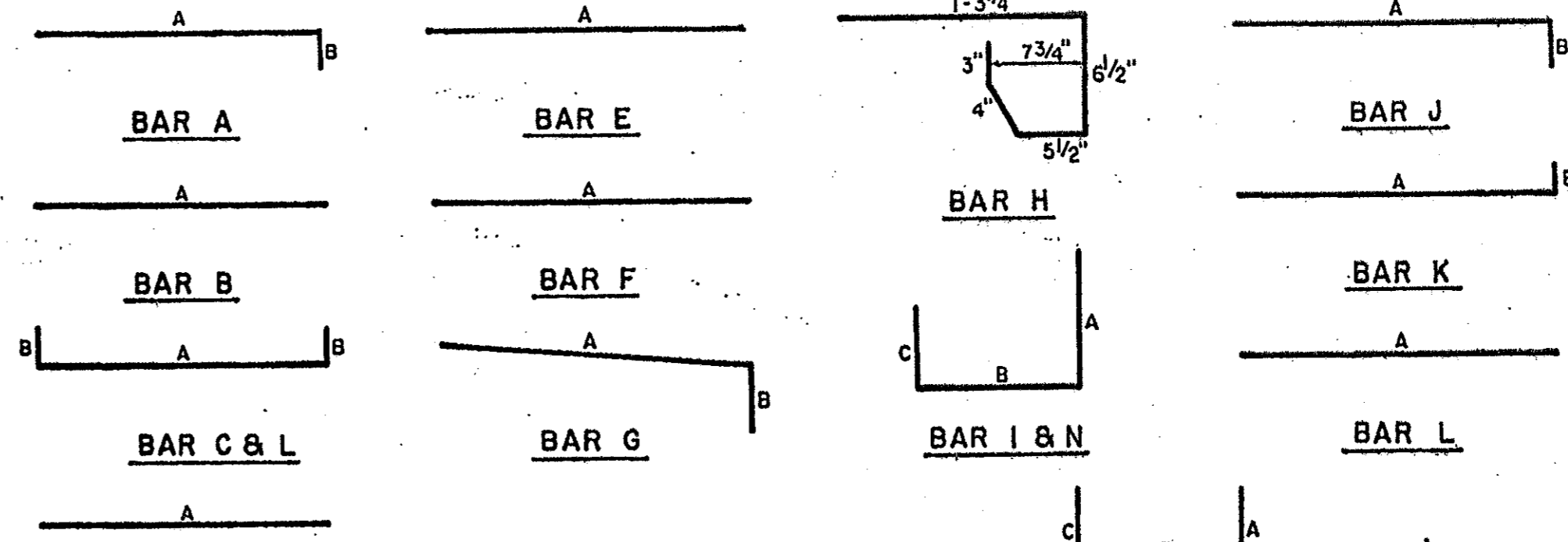
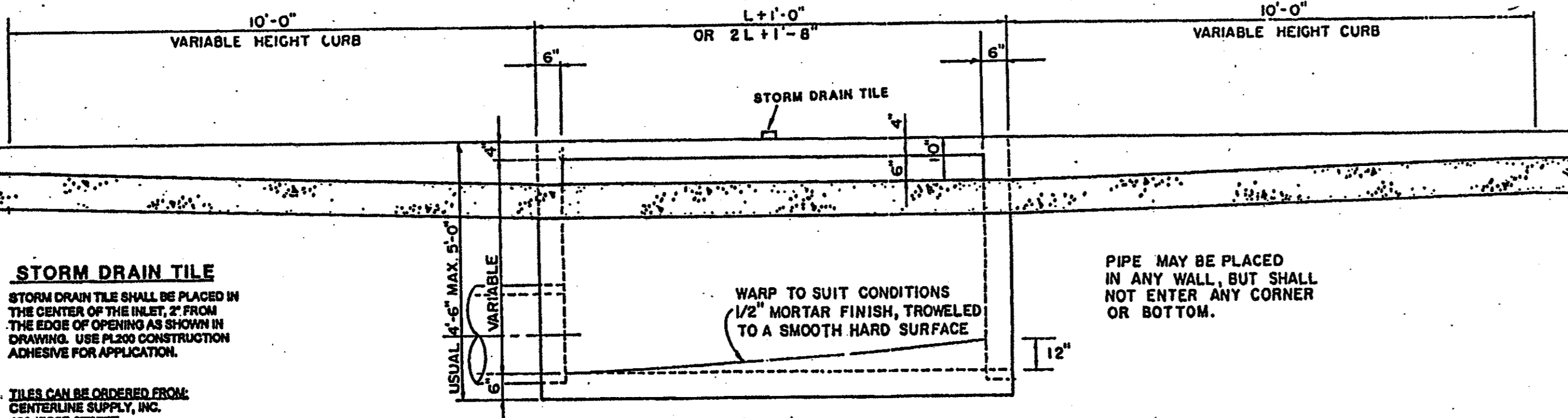


**REINFORCING STEEL SCHEDULE**

DIMENSIONS SHOWN ARE FOR MAXIMUM SIZE INLETS

INLET LENGTH	BAR TYPE	BAR DIA. (1/8 IN.)	NO. REQ'D	BAR DIMENSIONS		
				A	B	C
4	A	3	6	3'-2"	0'-3"	
	B	3	1	2'-10"		
	C	4	15	4'-8"	0'-6"	
	D	4	9	4'-8"		
	F	4	1	3'-2"		
	G	3	6	2'-0"	1'-3"	
	H	3	3			
	N	3	3	3'-2"	3'-2"	3'-2"
6	A	3	9	3'-2"	0'-3"	
	B	3	1	4'-10"		
	C	4	15	6'-8"	0'-6"	
	D	4	9	4'-8"		
	F	4	1	3'-2"		
	G	3	5	2'-0"	1'-3"	
	H	3	3			
	N	3	3	3'-2"	3'-2"	3'-2"
8	A	3	12	3'-2"	0'-3"	
	B	3	1	6'-10"		
	C	4	15	6'-8"	0'-6"	
	D	4	9	4'-8"		
	F	4	1	3'-2"		
	G	3	5	2'-0"	1'-3"	
	H	3	3			
	N	3	3	3'-2"	3'-2"	3'-2"
10	A	3	10	3'-2"	0'-3"	
	B	3	2	8'-10"		
	C	4	16	10'-8"	0'-6"	
	D	4	4	4'-8"		
	E	5	6	10'-8"		
	G	3	5	2'-0"	1'-3"	
	H	3	15			
	I	4	8	4'-8"	3'-2"	3'-2"
	L	4	5	4'-3"		



**SECTION A-A-RECESSED AND STANDARD INLETS**

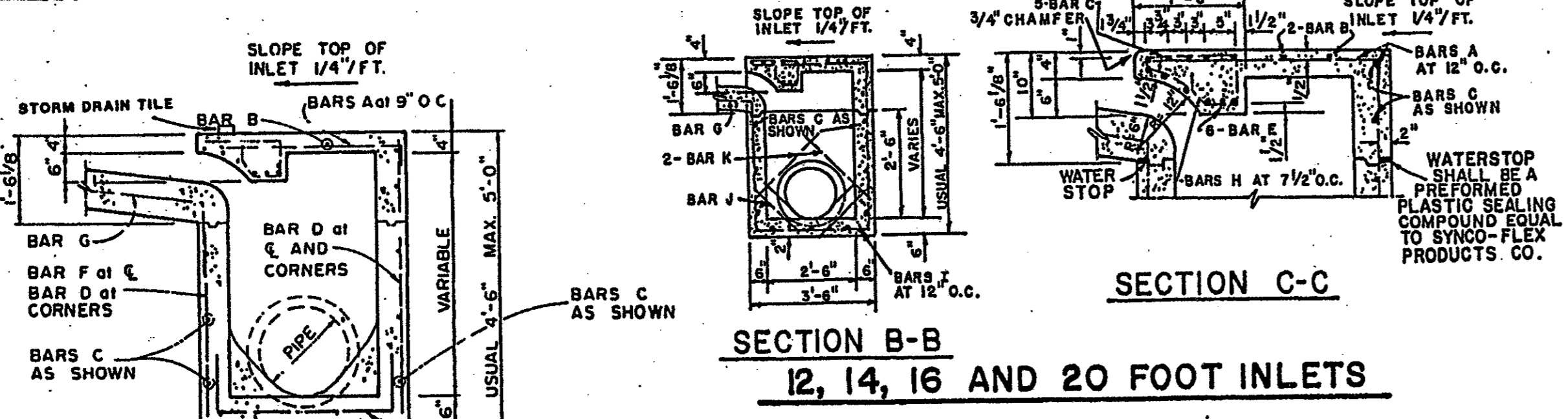
**4, 6, 8 AND 10 FOOT INLETS**

**BAR DIAGRAMS**

**STORM DRAIN TILE**  
STORM DRAIN TILE SHALL BE PLACED IN THE CENTER OF THE INLET, 2" FROM THE EDGE OF OPENING AS SHOWN IN DRAWING. USE PL200 CONSTRUCTION ADHESIVE FOR APPLICATION.

THIS CAN BE ORDERED FROM:  
CENTRAL SUPPLY, INC.  
425 JESSE STREET  
GRAND PRairie, TX 75050-1141  
1-800-351-1751 METRO: 214-447-4300  
FAX: 214-441-1221

PIPE MAY BE PLACED IN ANY WALL, BUT SHALL NOT ENTER ANY CORNER OR BOTTOM.



**REINFORCING STEEL SCHEDULE**

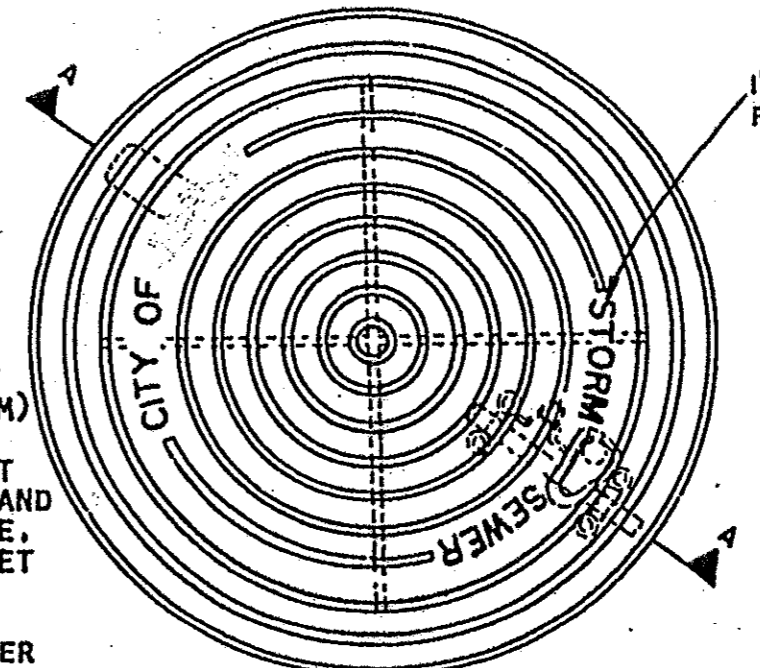
**DOUBLE INLETS**

DIMENSIONS SHOWN ARE FOR MAXIMUM SIZE INLETS

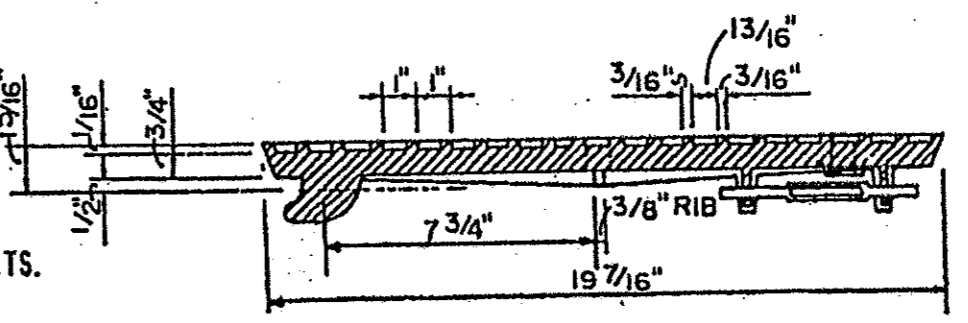
INLET LENGTH	BAR TYPE	BAR DIA. (1/8 IN.)	NO. REQ'D	BAR DIMENSIONS		
				A	B	C
7 FT.	A	3	17	3'-2"	0'-6"	
	B	3	2	11'-6"		
	C	4	16	15'-4"	0'-6"	
	D	4	9	4'-8"		
	E	5	6	17'-4"		
	F	4	1	3'-2"		
	G	3	15	2'-0"	1'-3"	
	H	3	32			
	J	4	14	4'-8"	3'-2"	3'-2"
	K	5	6	3'-2"	0'-6"	
	L	4	11	3'-2"	0'-6"	
	M	4	2	3'-0"		
	N	4	2	4'-8"	3'-2"	4'-8"
8 FT.	A	3	19	3'-2"	0'-6"	
	B	3	2	13'-6"		
	C	4	16	17'-4"	0'-6"	
	D	4	9	4'-8"		
	E	5	6	17'-4"		
	F	4	1	3'-2"		
	G	3	12	2'-0"	1'-3"	
	H	3	28			
	I	4	16	4'-8"	3'-2"	3'-2"
	J	4	6	3'-2"	0'-6"	
	K	4	6	3'-2"	0'-6"	
	L	4	11	3'-2"	0'-6"	
	M	4	2	3'-0"		
	N	4	2	4'-8"	3'-2"	4'-8"
10 FT.	A	3	23	3'-2"	0'-6"	
	B	3	2	19'-6"		
	C	4	16	21'-4"	0'-6"	
	D	4	9	4'-8"		
	E	5	9	21'-4"		
	F	4	1	3'-2"		
	G	3	15	2'-0"	1'-3"	
	H	3	32			
	I	4	20	4'-8"	3'-2"	3'-2"
	J	4	6	3'-2"	0'-6"	
	K	4	6	3'-2"	0'-6"	
	L	4	11	3'-2"	0'-6"	
	M	4	2	3'-0"		
	N	4	2	4'-8"	3'-2"	4'-8"

**NOTES FOR PRECAST INLET**

- THE FLOOR OF THE EXCAVATION MUST PROVIDE A FIRM, LEVEL BED FOR THE BASE SECTION TO REST UPON.
- A MINIMUM OF 6 INCHES OF 1" DIAMETER (MAXIMUM) ROCK OR GRAVEL SHALL BE USED TO PREPARE THE BEDDING TO FINAL GRADE OR IN LIEU OF THIS, AT LEAST 6 INCHES OF 2-SACK CEMENT STABILIZED SAND SHALL BE USED TO PREPARE THE BEDDING TO GRADE. CEMENT STABILIZED-SAND SHALL BE ALLOWED TO SET BY KEEPING HOLE PUMPED DRY.
- AFTER CASTING HAS BEEN INSTALLED ON THE PROPER BEDDING, THE BACKFILL MATERIAL, WHICH IS FREE FLOWING AND CLEAR OF ROCKS, IN EXCESS OF 4" DIAMETER AND OTHER LUMPS WHICH WOULD PROHIBIT PROPER COMPACTION, SHALL BE COMENCED IN LIFTS OF NO MORE THAN 18". THE MATERIAL USED FOR BACKFILL SHOULD BE OF A TYPE SUITABLE TO OBTAIN THE DENSITY REQUIREMENTS FOR THE SPECIFIC JOB.
- PRECAST INLETS MUST BE APPROVED BY CITY ENGINEER.
- CONCRETE TO BE MIN. 4200 PSI.
- LOCKING DEVICE IS REQUIRED ON ALL STORM SEWER LIDS.
- "NO DUMPING" WARNING PLAQUE TO BE INSTALLED ON ALL STANDARD AND RECESSED INLETS.

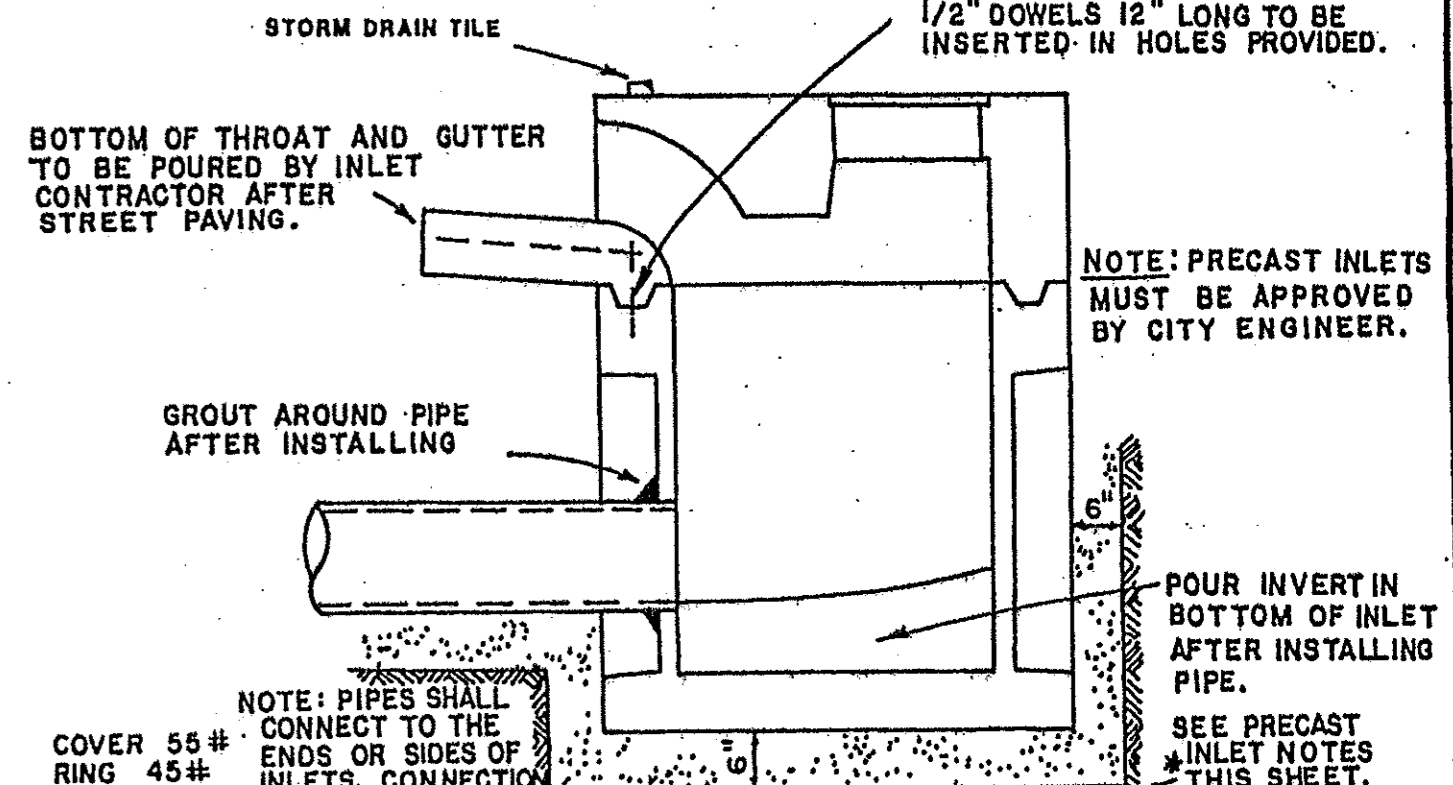


**PLAN OF FRAME**



**SECTION OF FRAME AND COVER**

**INLET FRAME AND COVER**



**INSTALLATION DRAWING FOR 5 & 10' CURB INLETS**

NO.	NCT	STANDARD SPECIFICATIONS	REVISION	BY	DATE

PUBLIC WORKS  
DEPARTMENT OF ENGINEERING

STANDARD CONSTRUCTION DETAILS  
STORM DRAINAGE

CURB INLETS

APPROVED

DATE: JULY, 1996

SHEET SD-1

\*SEE DIAGRAM FOR DIMENSIONS  
\*\*FIELD CUT AS REQ'D TO ACCOMMODATE DRAIN PIPE.  
12', 14', 16' AND 20' INLETS