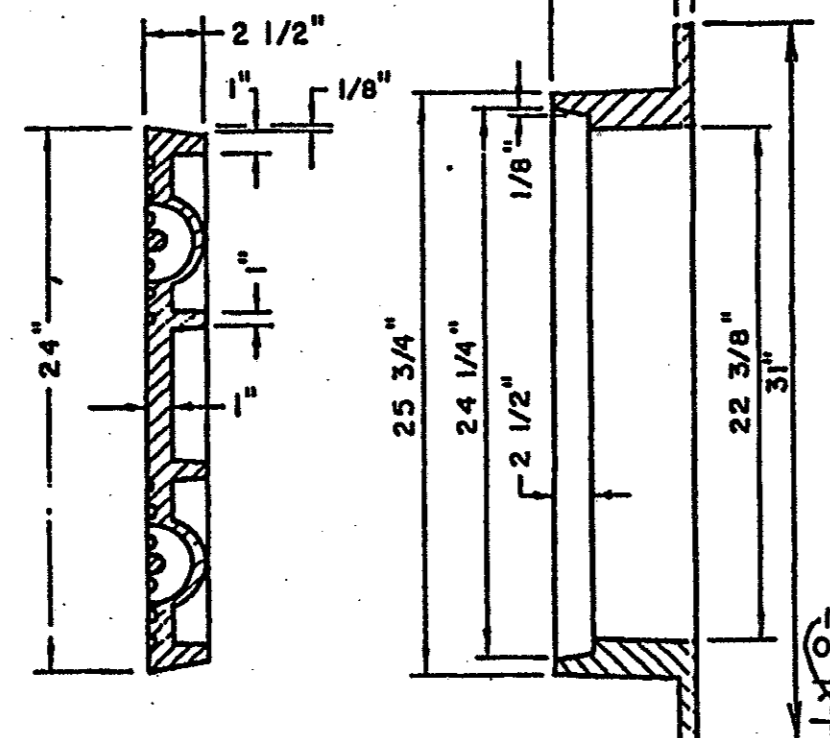


MANHOLE RING AND COVER

PROVIDE WITH PICK SLOTS ONLY B AND H 400-24 OR EQUAL



STUBOUTS TO BE A MINIMUM OF 5' LONG WITH CONC. CRADLE UNDER ENTIRE LENGTH

COUPLING CONFORMING TO ASTM C-923 WITH O-RING GASKET, KOR-N-SEAL, A-LOK OR APPROVED EQUAL

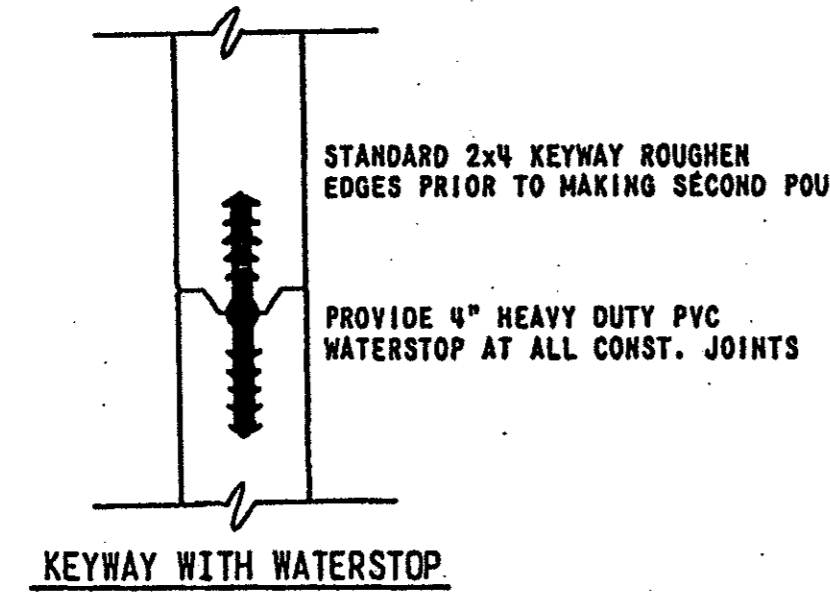
STANDARD CAST IN PLACE MANHOLE

CAST-IN-PLACE NOTES:

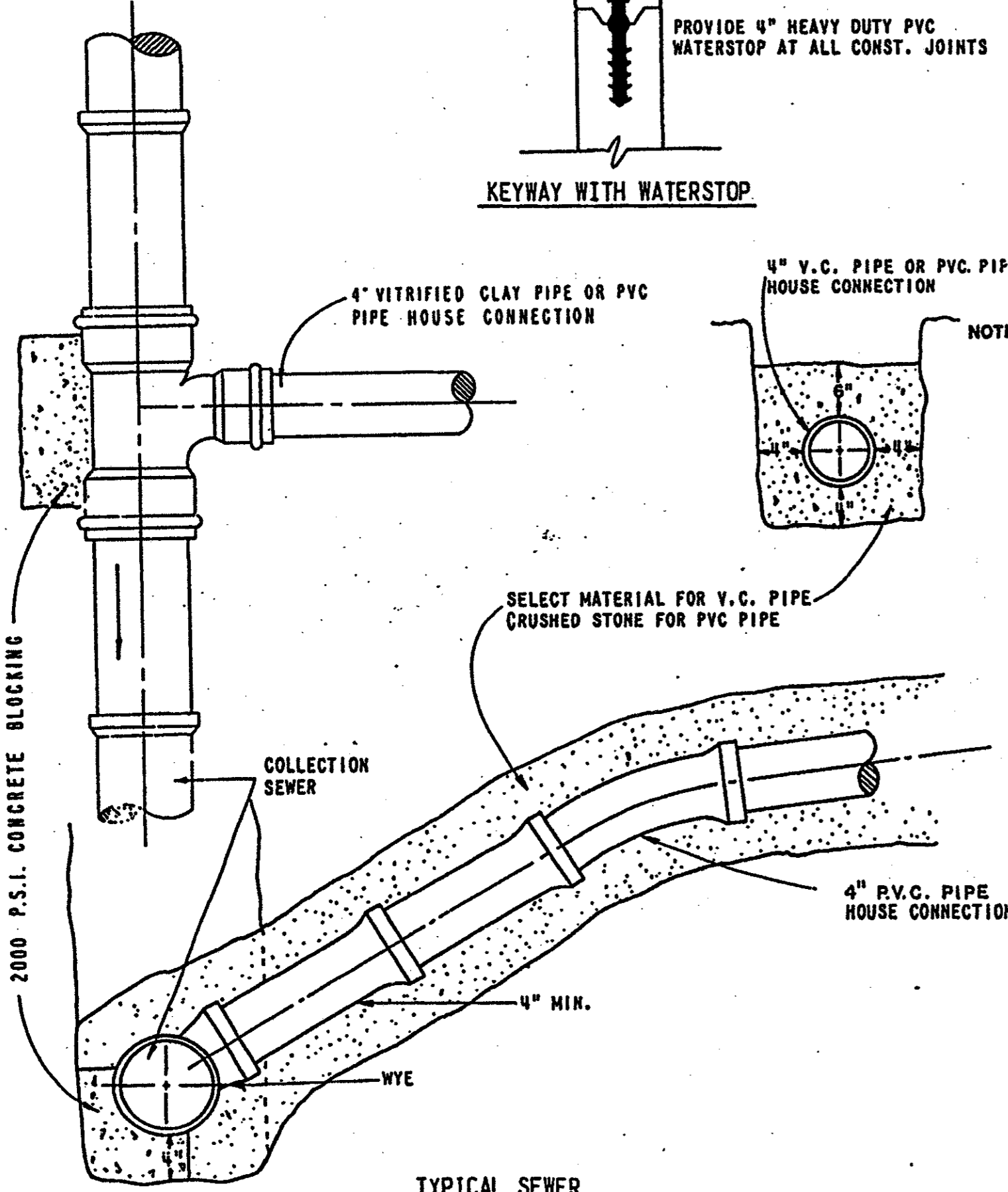
1. KEYWAYS REQUIRED FOR ALL CONSTRUCTION JOINTS.
2. P.V.C. WATER STOP REQUIRED FOR ALL JOINTS IN LOWER 4'-0" OF MANHOLES.
3. CONCRETE SHALL BE CLASS F P.S.I. (4200' P.S.I.)

GENERAL NOTES

1. All Sanitary Sewer Pipe Shall Be Vitrified Clay Or PVC SDR-35 Pipe. Other Pipes Shall Be Subject To Approval By The City Engineer
2. Sanitary Sewer Pipe Joints Shall Conform To Current ASTM Designations For Vitrified Clay Pipe And For PVC Pipe.
3. All Sanitary Sewer Laterals Shall Include 4" Tee Wye Band, Pipe And Stopper Installed 10' Feet Downstream From The Water Main Service On Each Lot, Unless Otherwise Indicated On Plans. 6" Laterals Require M.H. At Main Sewer Pipe.
4. Unless Otherwise Noted, All Material And Construction Shall Conform To The Standard Specifications And/or Special Provisions.
5. In The Event An Item Is Not Covered In The City Of Plano Specifications, The City Engineer Decision Shall Apply.
6. Drop Manhole Required For Connection Of 18" Or Greater.
7. All Manholes Shall Be Vacuum Tested In Accordance With The Specs.
8. All Pipes Entering & Leaving A Manhole Shall Be Cradled For A Distance Of 5' Outside Of M.H.

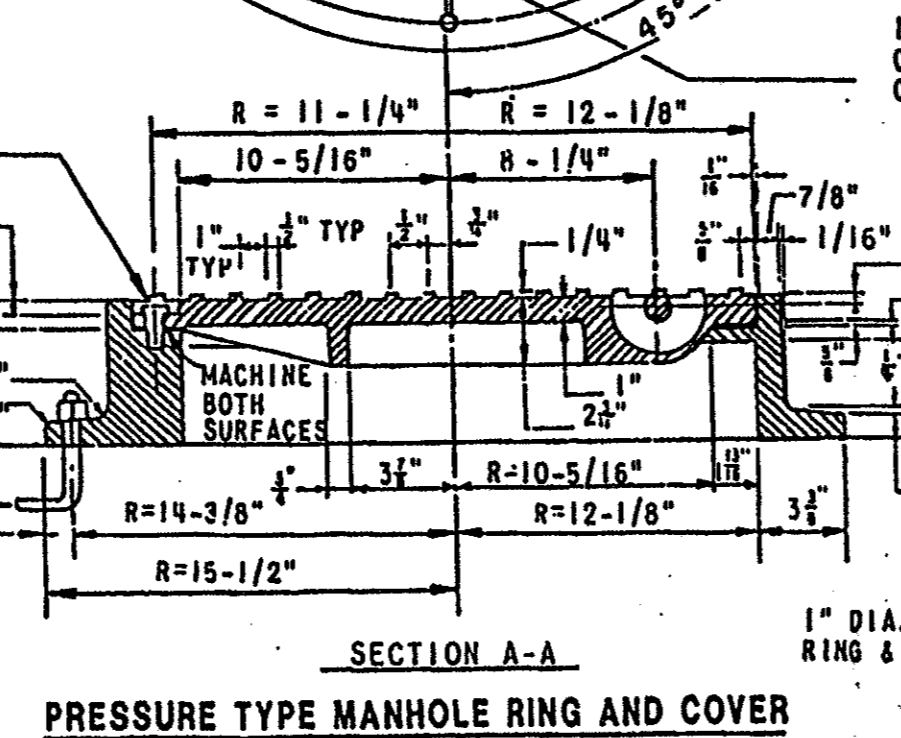
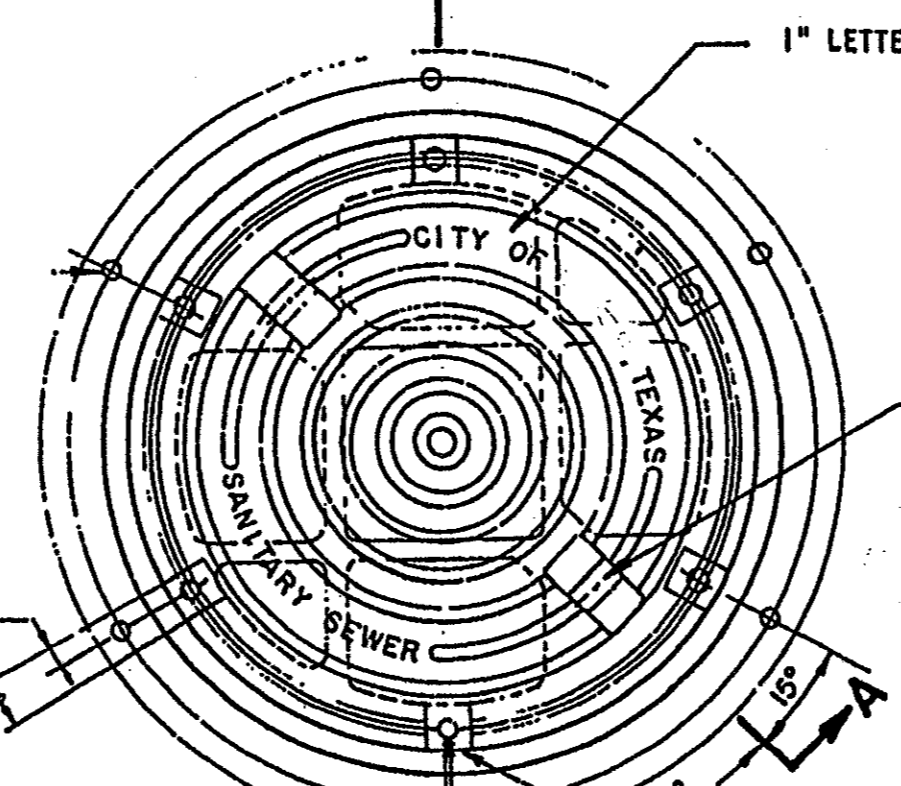


KEYWAY WITH WATERSTOP

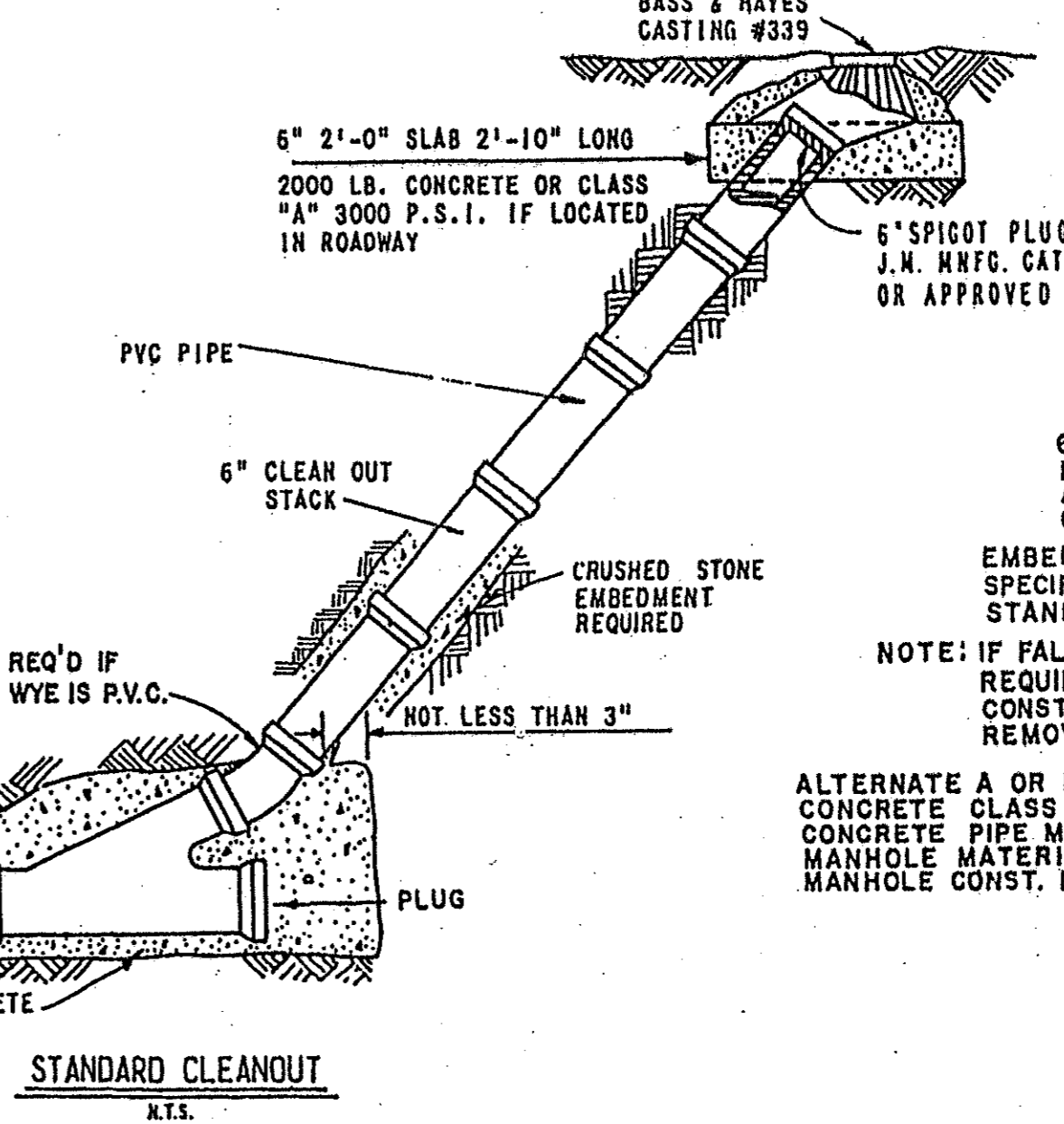
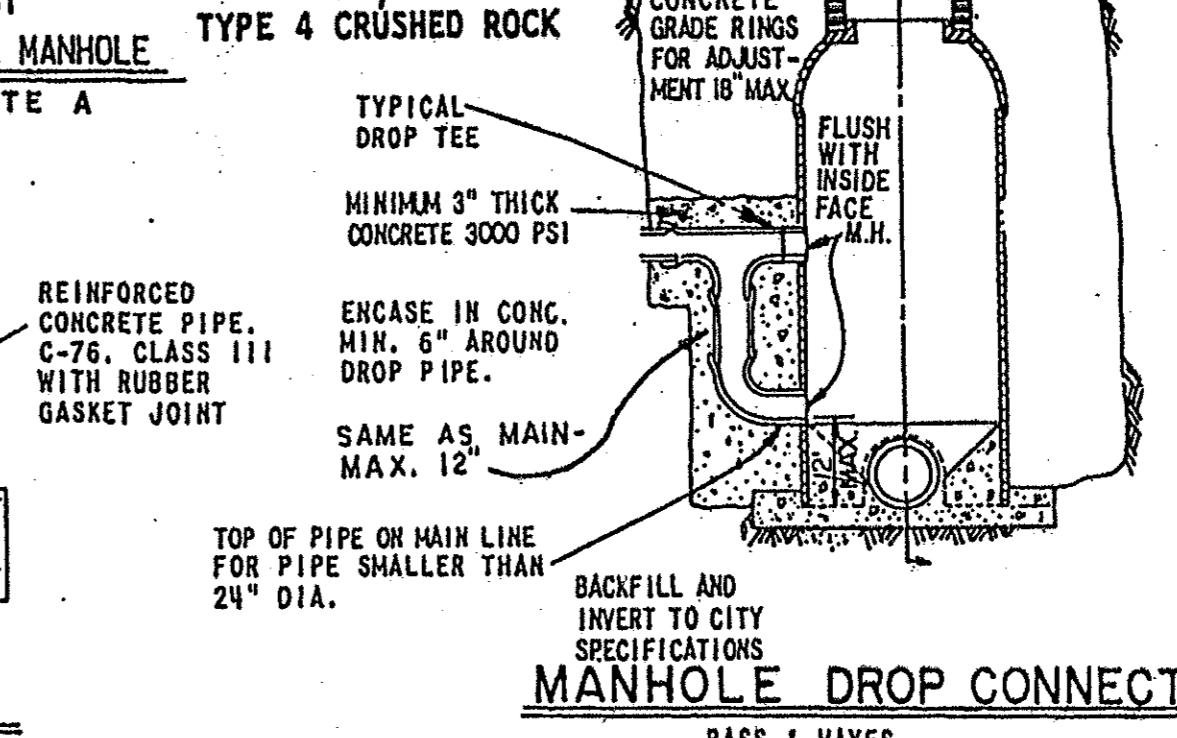
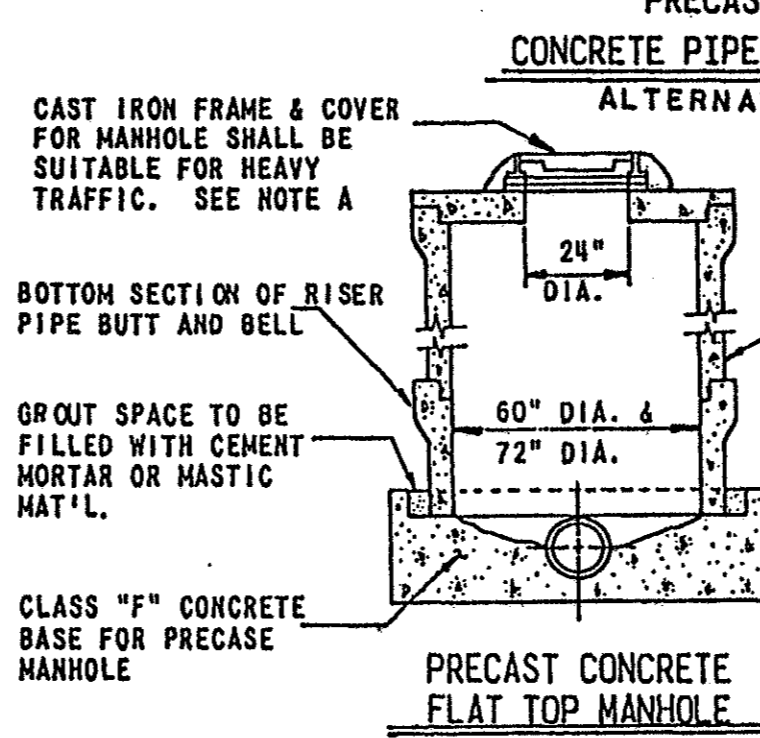
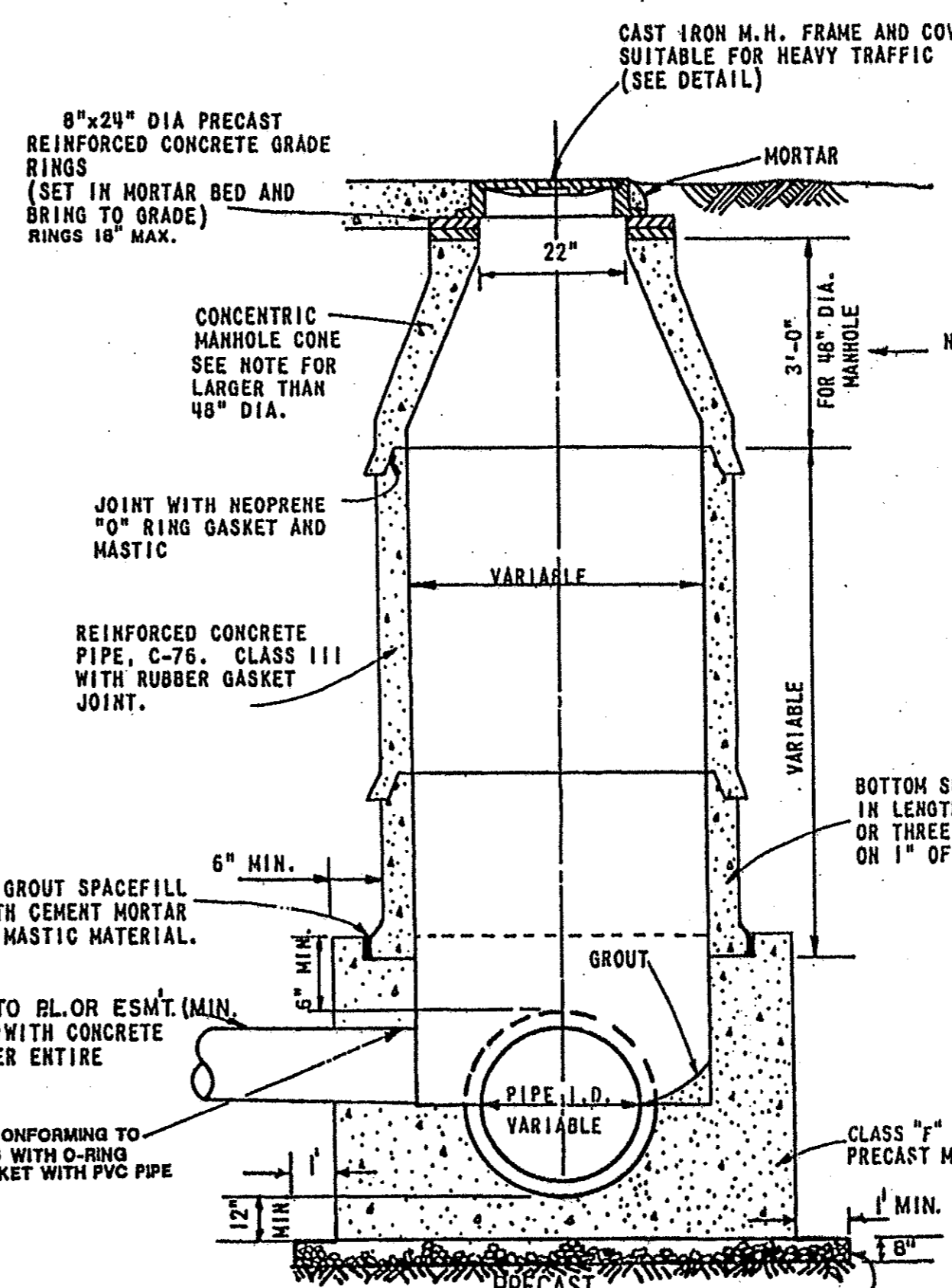


TYPICAL SEWER HOUSE SERVICE CONNECTION
N.T.S.

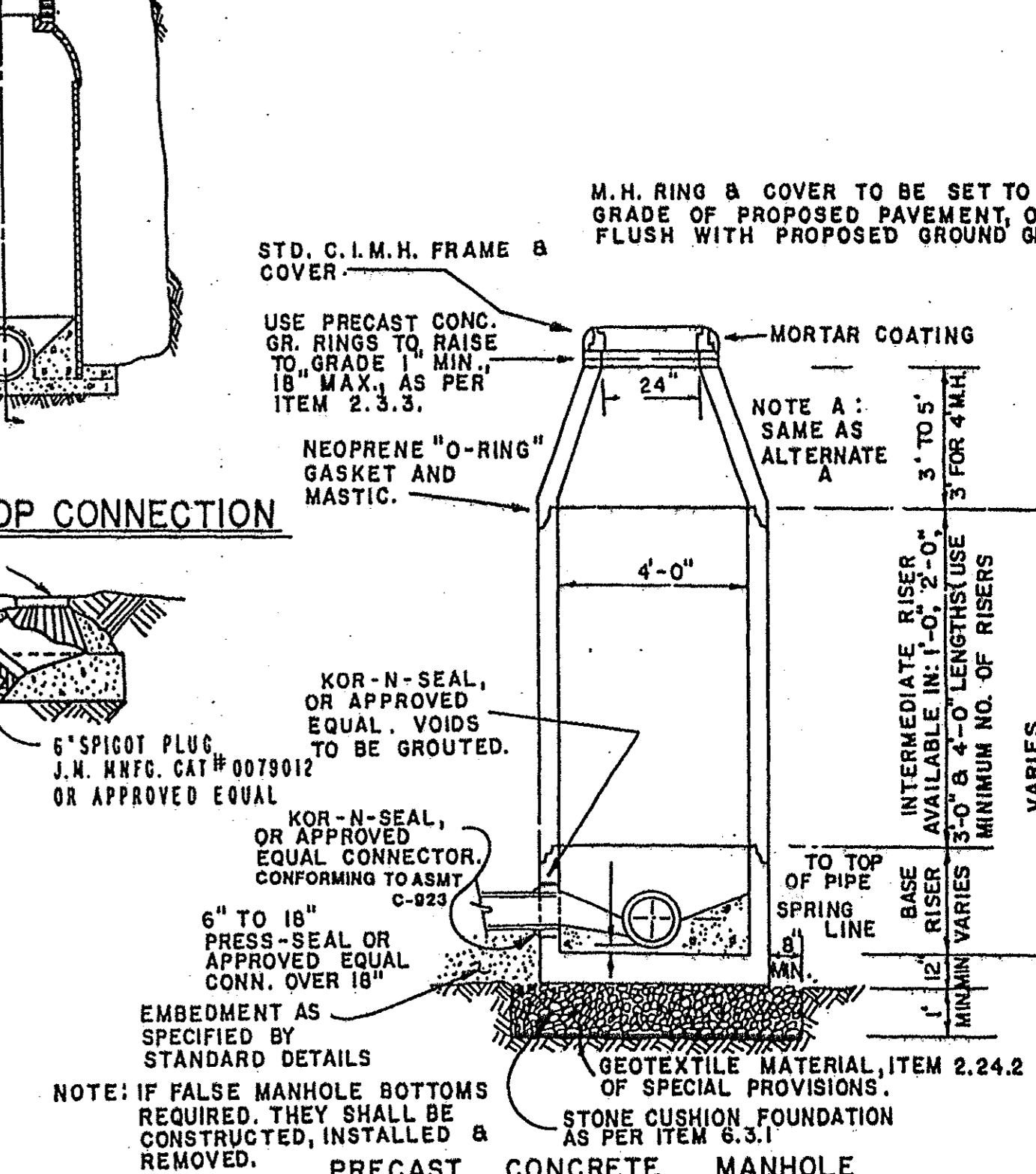
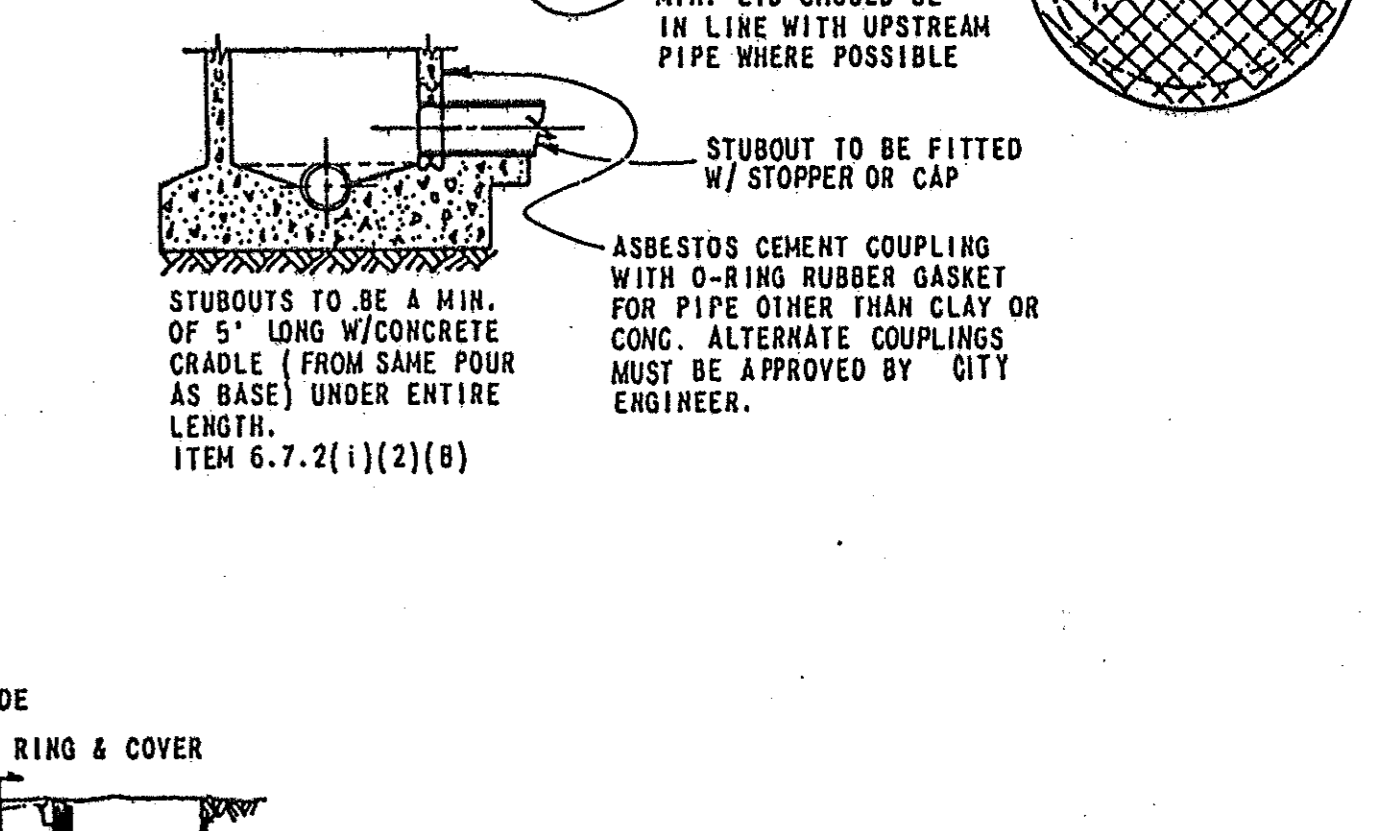
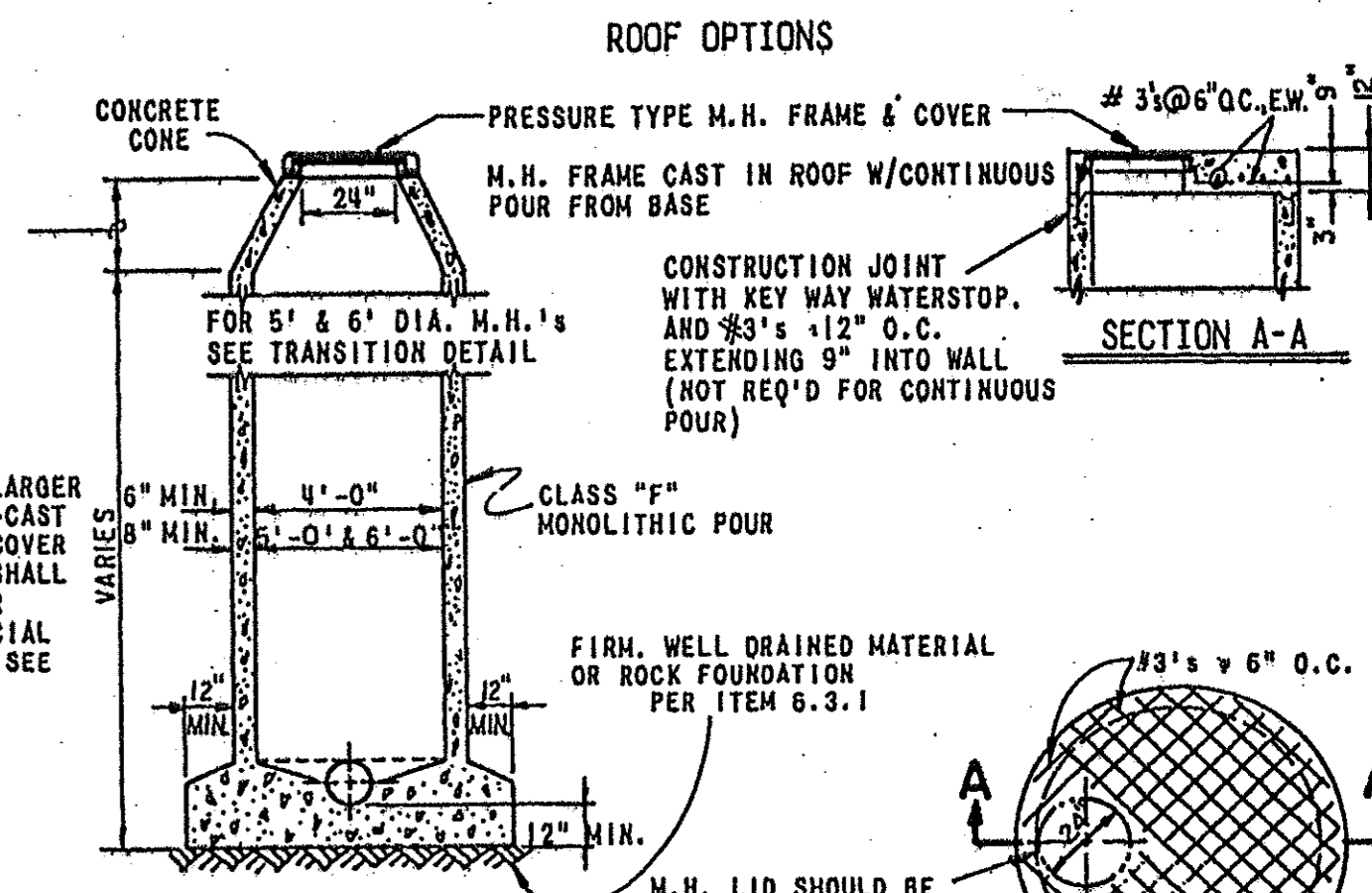
NOTE: FOR SEAL BETWEEN FRAME AND COVER USE EITHER A 1/16" COPPER GASKET OR A 1/4" DIA. NEOPRENE O-RING GASKET (LOCATION OF O-RING IS LEFT TO MFR. BUT SUBJECT TO APPROVAL BY CONST. ENG.)



SECTION A-A PRESSURE TYPE MANHOLE RING AND COVER



NOTE: Shallower Parallel Line Required When Flow Line Of Sanitary Sewer Exceeds 12 Ft. Depth, Vertical Drop Connections Not Permitted.



ALTERNATE A OR B: CONCRETE CLASS ITEM 7.4.5 CONCRETE PIPE MATERIAL ITEM 2.12.4 MANHOLE MATERIAL ITEM 2.1.9 MANHOLE CONST. ITEM 6.7.2(1)(1)(3)

NCT STANDARD SPECIFICATIONS		S.A.S. 10-13-87	
NO.	REVISION	BY	DATE
PUBLIC WORKS DEPARTMENT OF ENGINEERING			
STANDARD CONSTRUCTION DETAILS SANITARY SEWER			
MANHOLE - CLEANOUT - CONNECTIONS			
APPROVED			
DATE: JULY, 1998		SHEET SD-3	