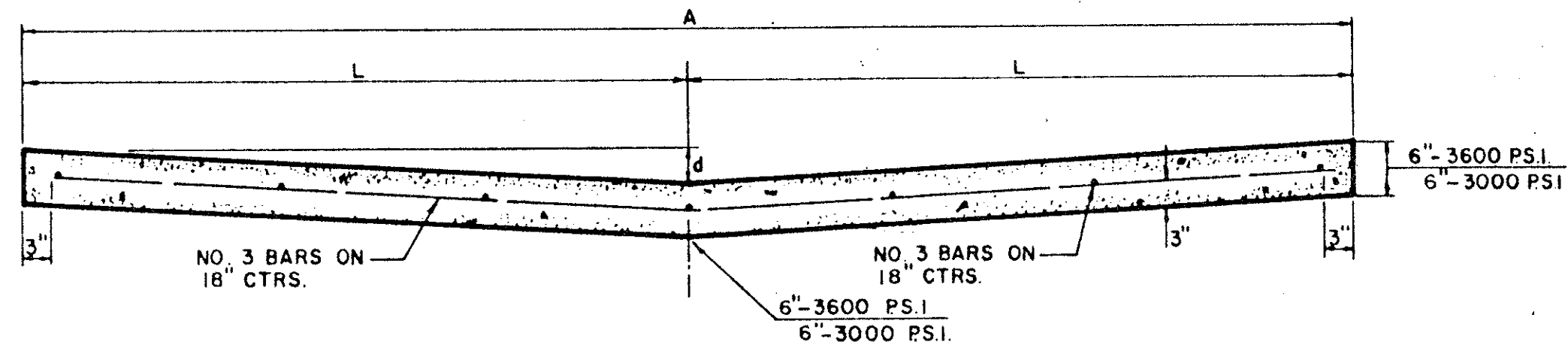
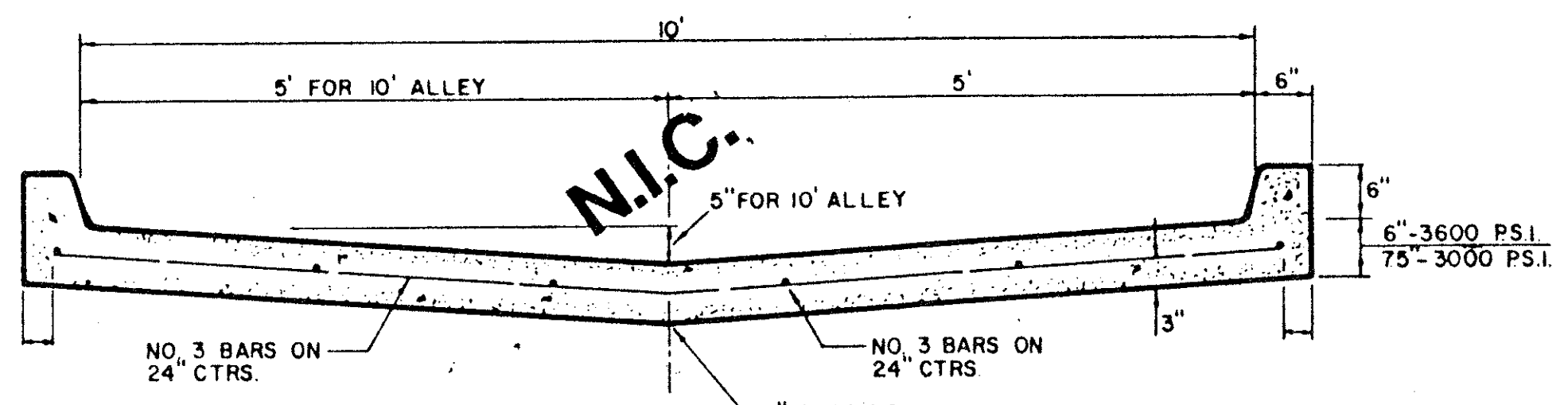


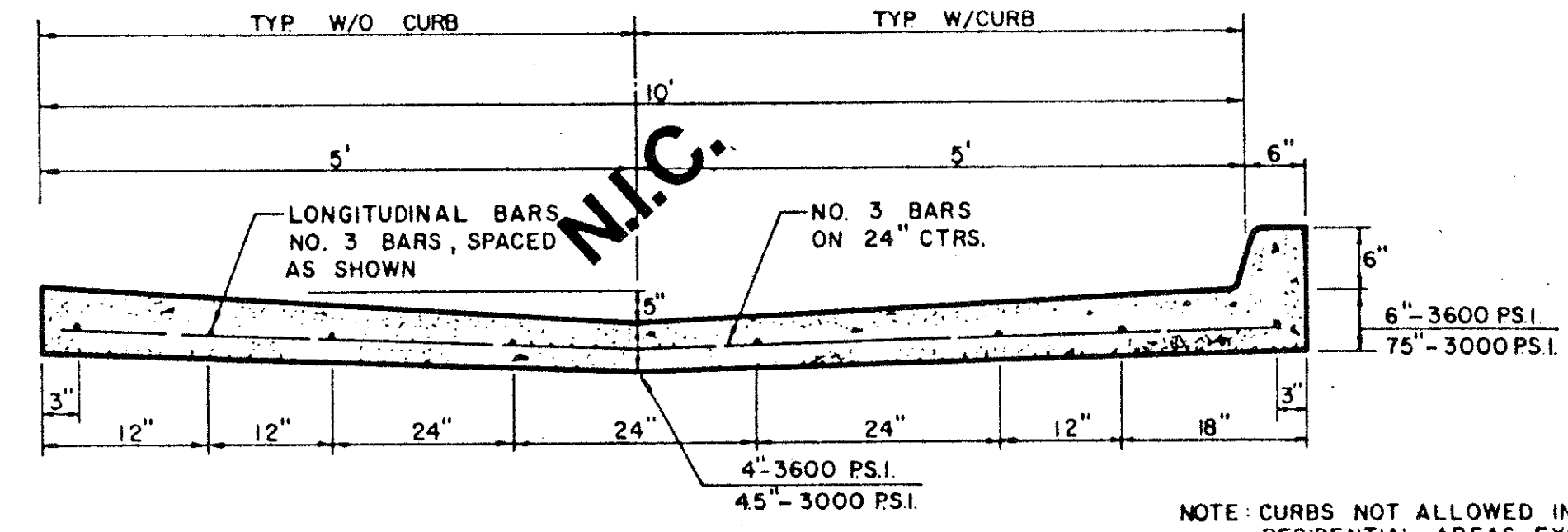
ALLEY WIDTH (A)	HALF SECTION WIDTH (L)	INVERT DEPTH (d)
10'	5'	4"
12'	6'	6"
16'	8'	6"
20'	10'	6"



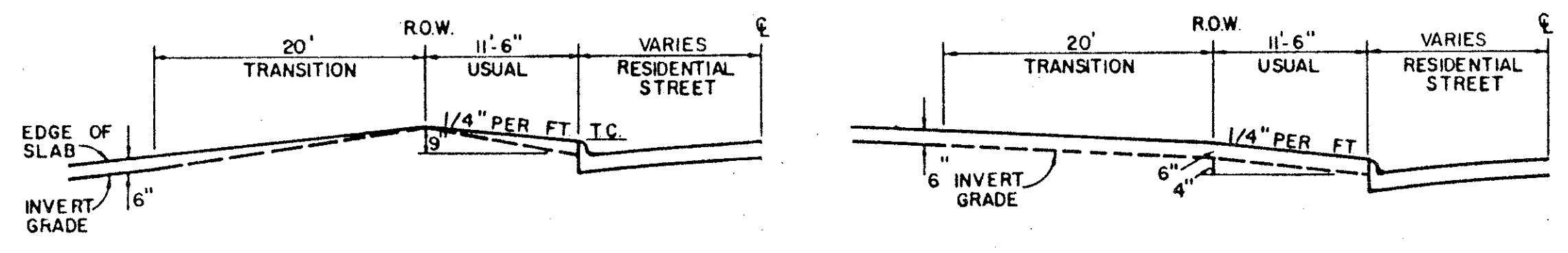
STANDARD 10', 12', 16', & 20' ALLEY SECTION



STANDARD ALLEY SECTION WITH CURBS



ALTERNATE 10' ALLEY SECTION / CURB

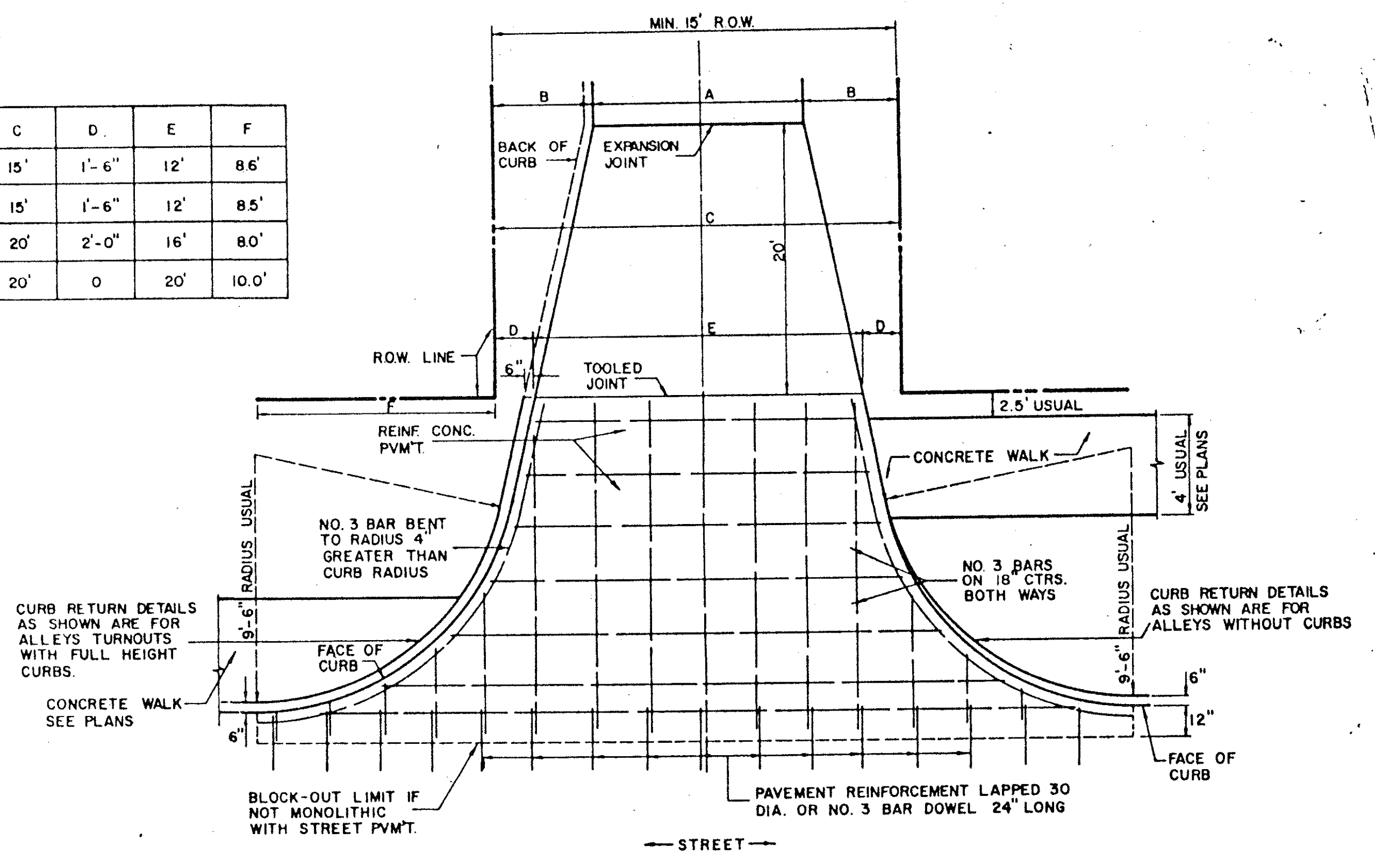


TYPE I ALLEY ENTRANCE

N.I.C.

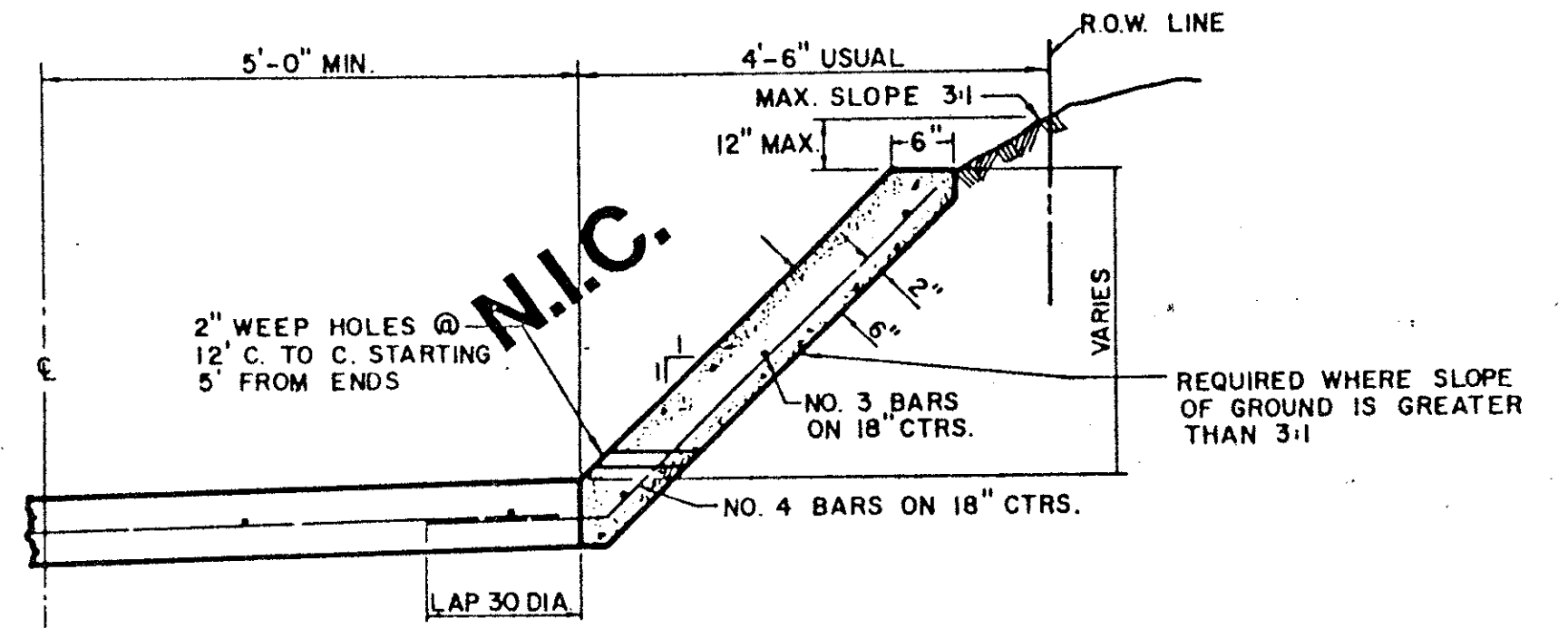
TYPE II ALLEY ENTRANCE

ALLEY WIDTH	A	B	C	D	E	F
10'	10'	2'-6"	15'	1'-6"	12'	8.6'
12'	12'	1'-6"	15'	1'-6"	12'	8.5'
16'	16'	2'-0"	20'	2'-0"	16'	8.0'
20'	20'	0	20'	0	20'	10.0'

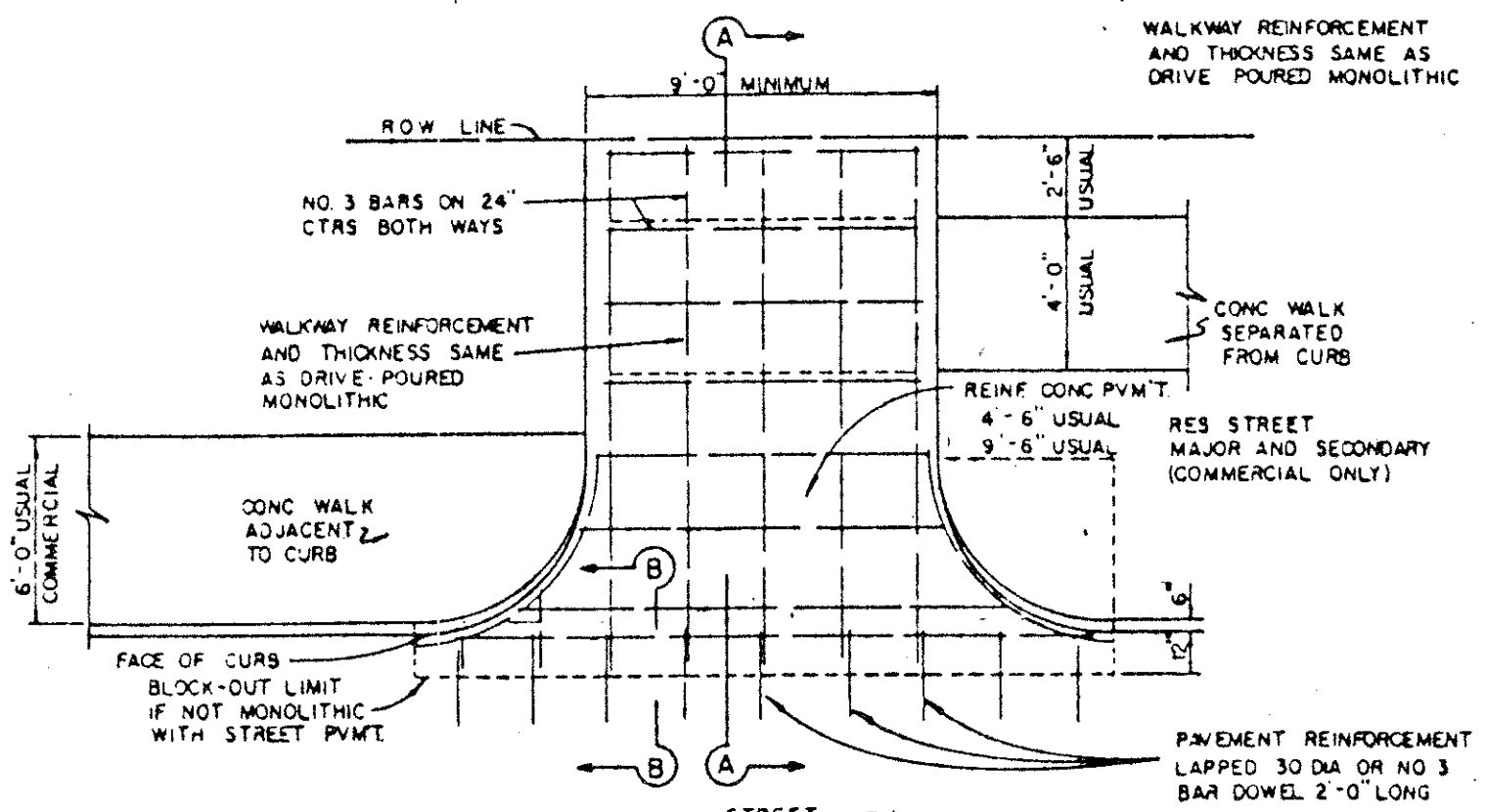


ALLEY RETURN DETAILS

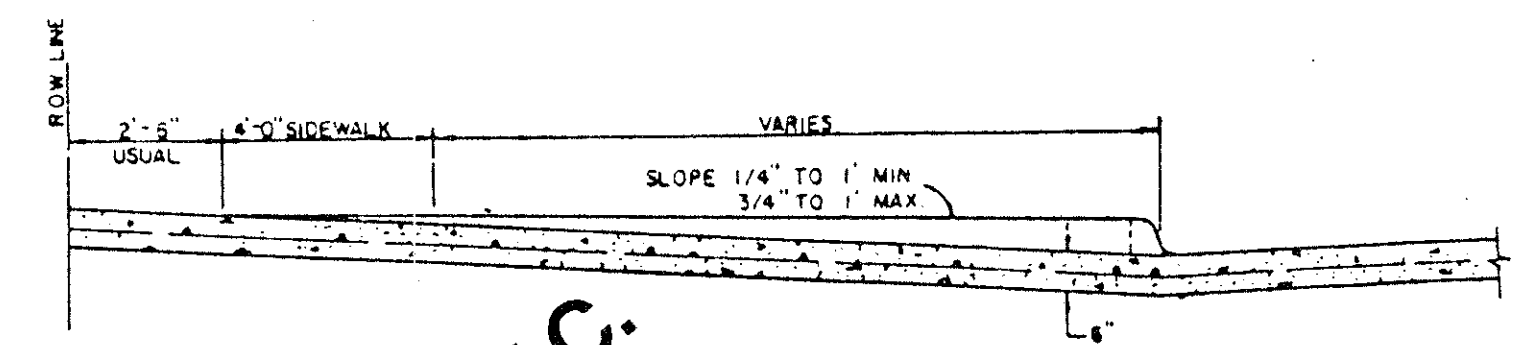
FOR DETAILS ONLY-SEE PLAN FOR DIMENSIONS



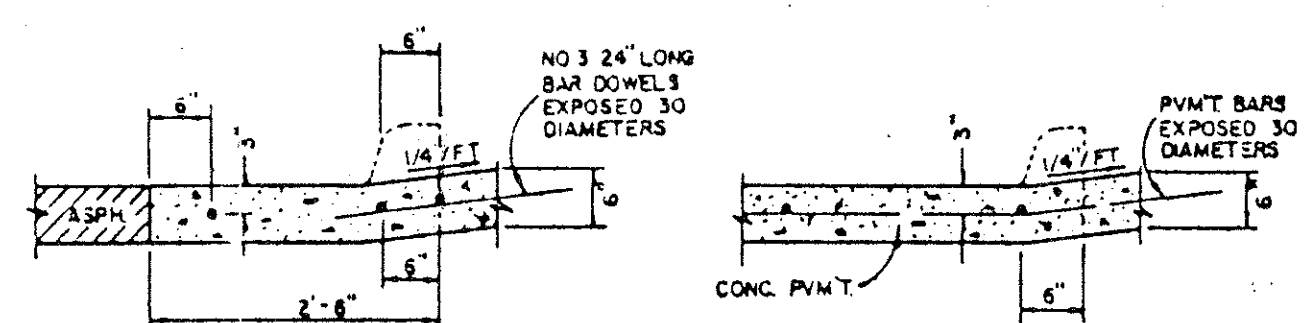
ALLEY SLOPE PROTECTION



DRIVEWAY RETURN TO STREET



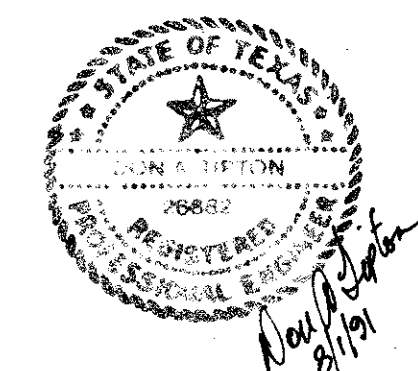
SECTION A-A



SECTION B-B DRIVEWAY RETURN DETAILS

GENERAL NOTES FOR ALLEYS AND DRIVEWAYS

1. CONCRETE FOR ALLEY RETURNS AND DRIVEWAYS SHALL HAVE A MINIMUM COMPRESSIVE STRENGTH AT 28 DAYS IDENTICAL TO THAT SPECIFIED FOR THE STREET PAVEMENT OR BASE WHEN BUILT AS COMPONENTS OF A CONCRETE PAVING PROJECT. WHEN BUILT SEPARATELY, THE STRENGTH SHALL BE AS SPECIFIED ON THE CONSTRUCTION PLANS.
2. CONCRETE FOR ALLEY PAVEMENT SHALL BE OF THE STRENGTH SPECIFIED ON THE CONSTRUCTION PLANS. (3000 PSI. OR 3600 PSI. MINIMUM COMPRESSIVE)
3. SPACING AND CONSTRUCTION OF JOINTS SHALL CONFORM TO STREET PAVEMENT DETAILS.



TOWN OF ADDISON, TEXAS
 DEPARTMENT OF ENGINEERING
 STANDARD CONSTRUCTION DETAILS
 PAVING
 ALLEY & DRIVEWAY RETURNS

Designed -	Drawn -	Date - AUGUST, 1991	Job No. -
Approved -	Checked -	Scale -	Sheet 11-2 OF