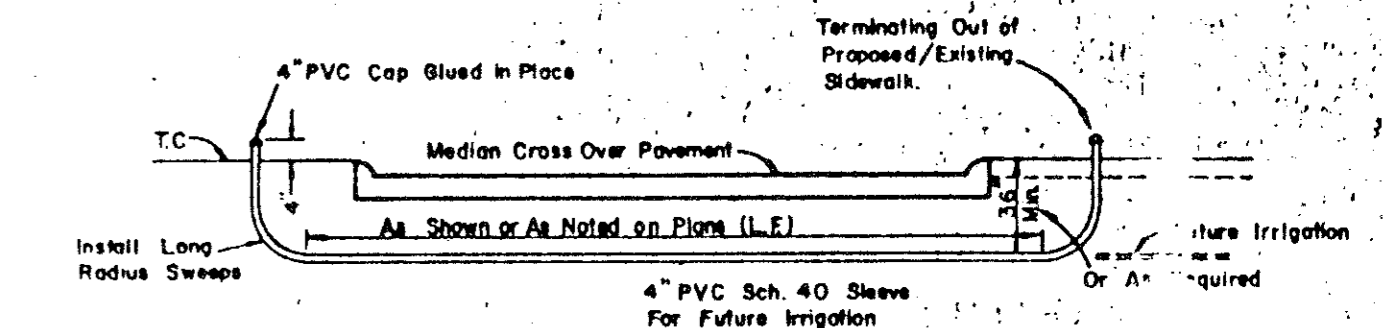
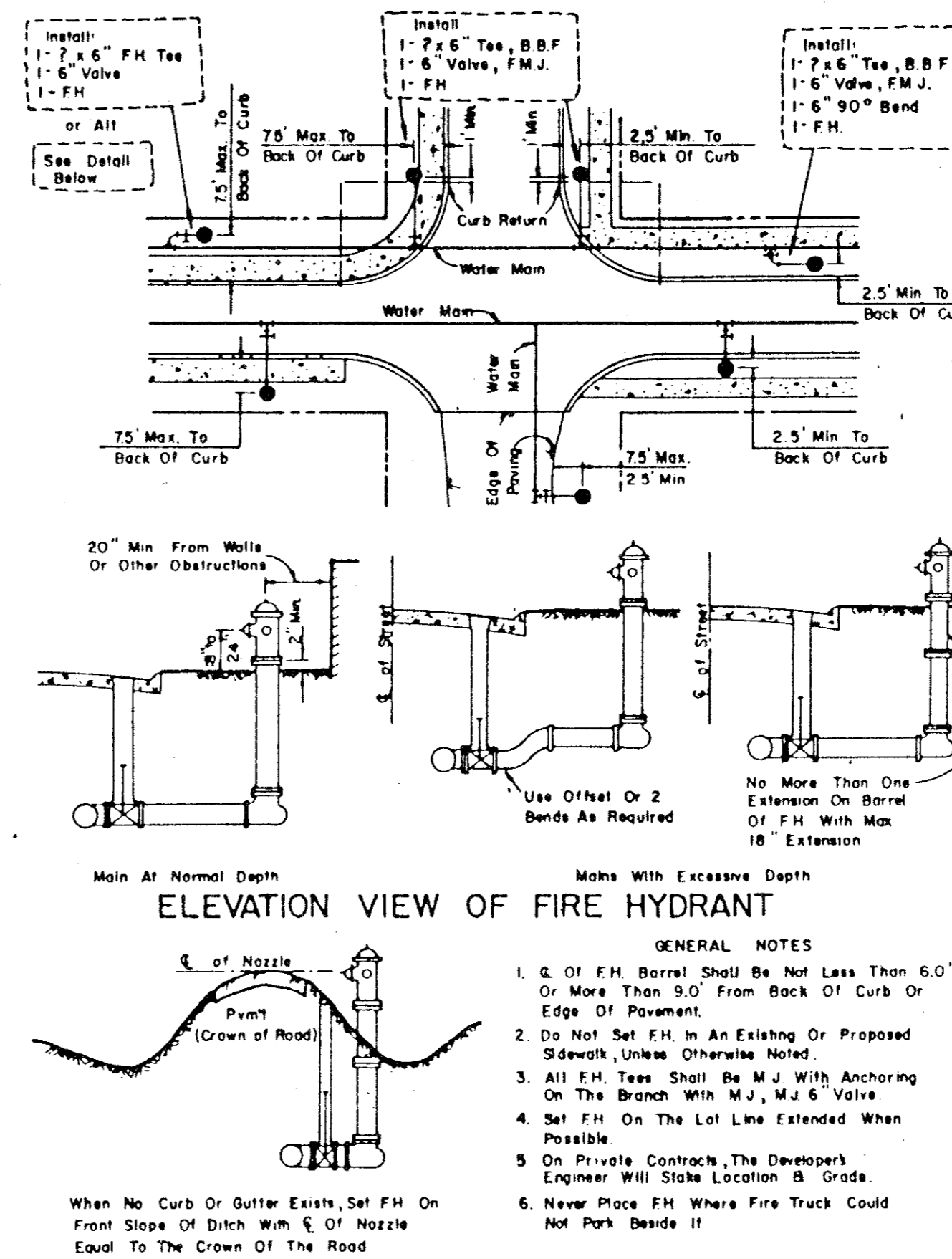


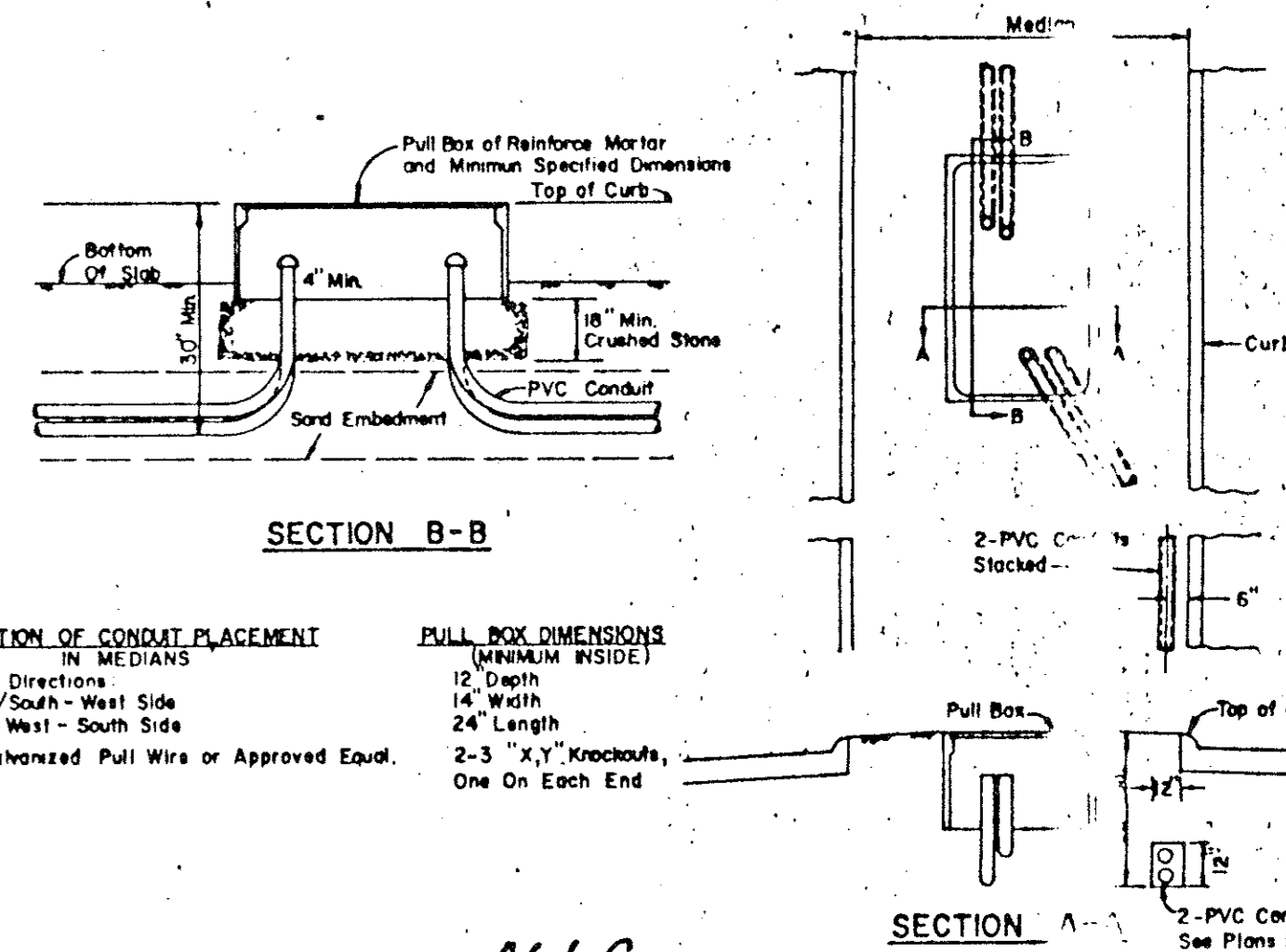
GATE VALVES AND VALVE BOXES.

- GATE VALVES SHALL BE IRON BODY, BRONZE OR BRASS MOUNTED, NON-RISING STEM, PARALLEL SEAT TYPE VALVES SHALL BE OF EQUAL OR GREATER PRESSURE CLASS THAN THE PIPING IN WHICH THEY ARE TO BE INSTALLED.
- VALVE BOXES SHALL BE CAST IRON AND SHALL BE OF SUFFICIENT LENGTH AND DIAMETER TO OPERATE ALL VALVES BURIED IN THE GROUND. COVERS SHALL BE MARKED "WATER" THE BOXES SHALL REST ON THE VALVE AND BE ADJUSTED SO THAT THE COVER MAY BE SET FLUSH WITH THE FINISHED GRADE.



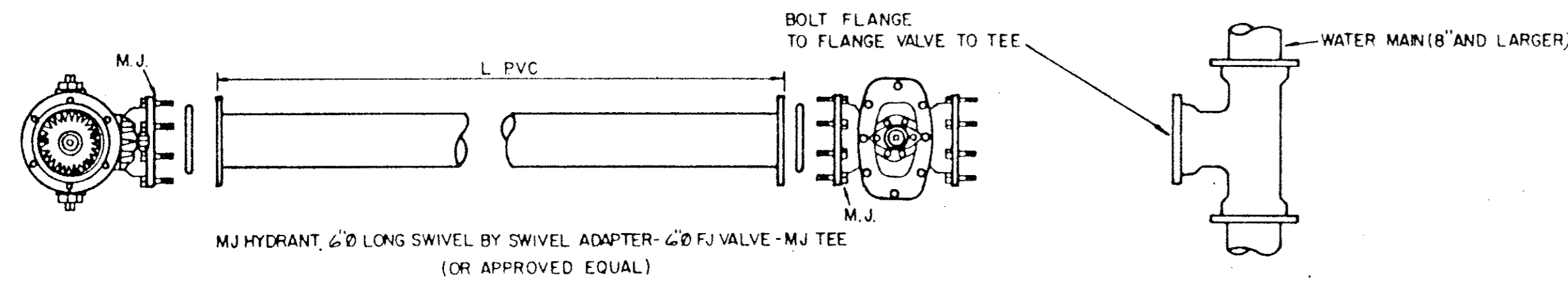
PVC SLEEVE FOR FUTURE IRRIGATION

N.I.C.

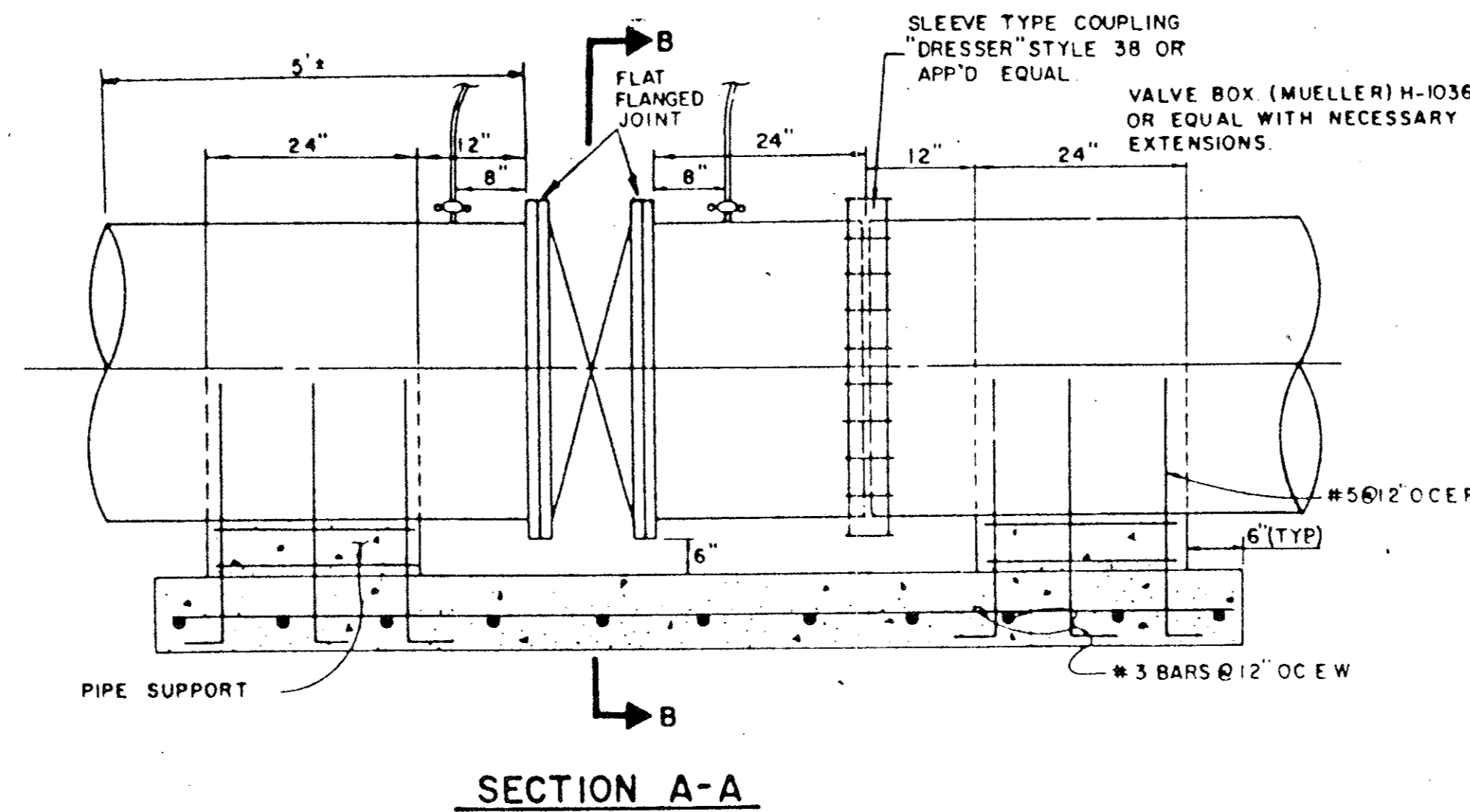


PULL BOX & CONDUIT DETAIL

N.I.C.

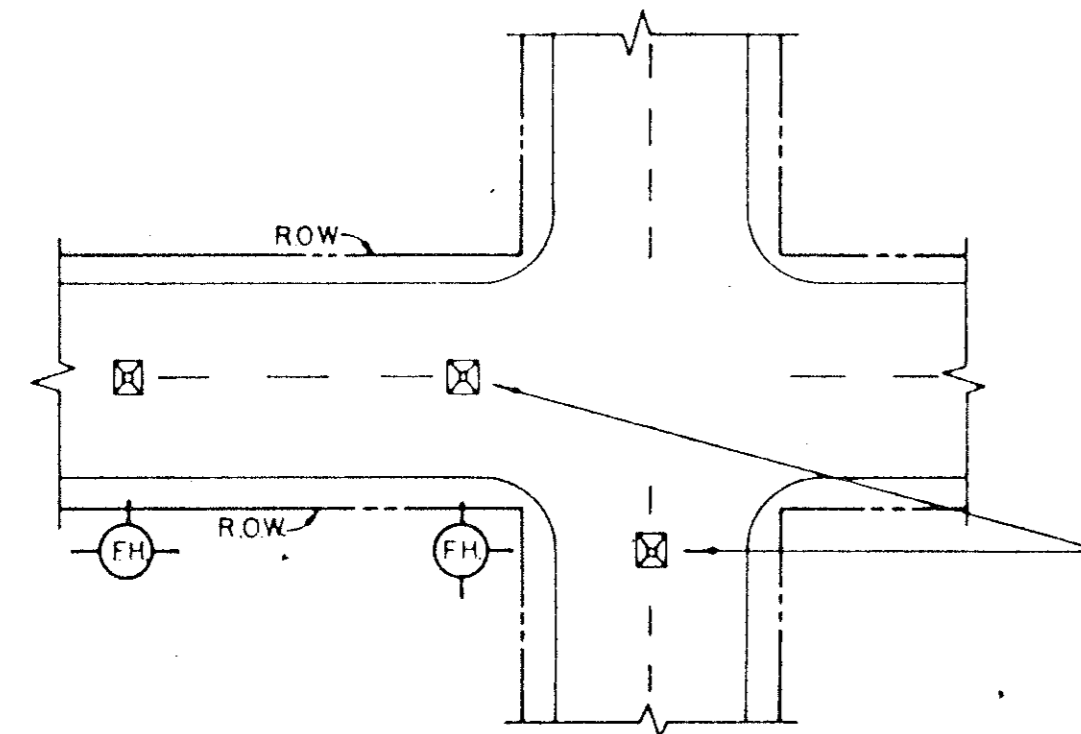


TYPICAL FIRE HYDRANT INSTALLATION



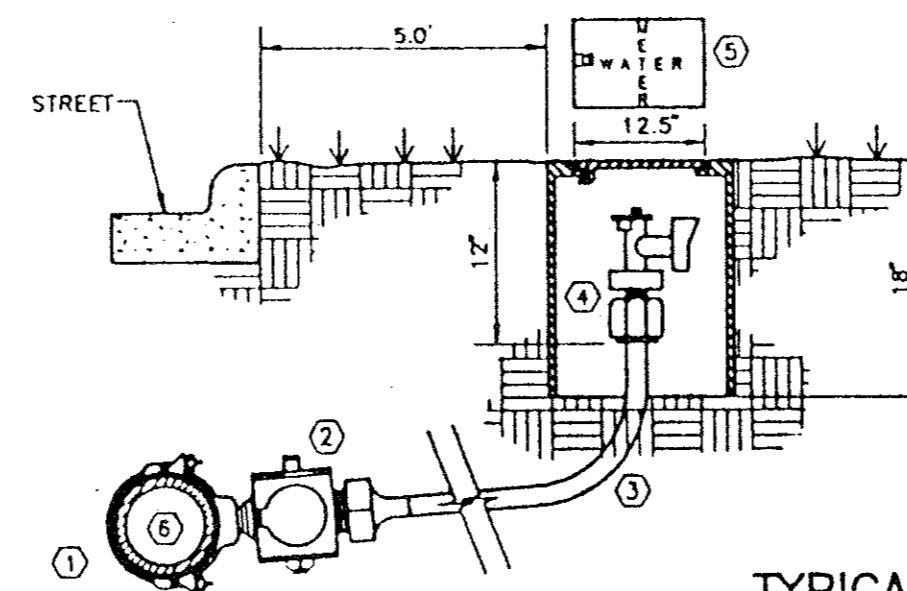
BUTTERFLY VALVE DETAIL

N.I.C.



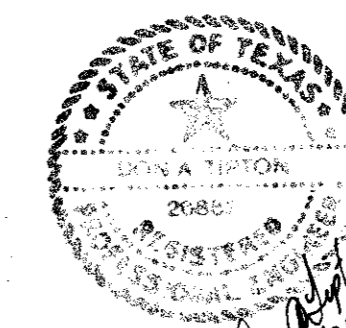
TYPICAL FIRE HYDRANT REFLECTOR INSTALLATION

A BLUE STIMONITE FIRE-LITE REFLECTOR (OR APPROVED EQUAL) TO BE PLACED IN THE CENTER OF STREET OPPOSITE FIRE HYDRANTS. THE INSTALLATION OF THIS REFLECTOR SHALL BE AS PRESCRIBED BY THE MANUFACTURER.



TYPICAL WATER SERVICE DETAIL

1. DOUBLE STRAP BRONZE SADDLE W/CCW THREADS. MUELLER.
2. CORPORATION STOP W/CCW THREADS. MUELLER H-1500B COMPRESSION OR H-1500D FLARED.
3. 3/4" TYPE "K" SOFT COPPER W/NO SPLICES.
4. ANGLE STOP W/LOCK WING. MUELLER H-1425B COMPRESSION OR H-1425S FLARED.
5. WATER METER BOX (RECTANGULAR SHAPE ONLY) CONCRETE OR METAL SHELL CONSTRUCTION.
6. WATER MAIN AWWA C900 SDR 14/18 INTEGRAL WALL BELL.



| | | | |
|---|-----------|---------------------|--------------|
| TOWN OF ADDISON, TEXAS DEPARTMENT OF ENGINEERING | | | |
| STANDARD CONSTRUCTION DETAILS WATER | | | |
| FIRE HYDRANTS, PULL BOXES AND VALVES | | | |
| Designed - | Drawn - | Date - AUGUST, 1991 | Job No. - |
| Approved - | Checked - | Scale - | Sheet D-8 OF |