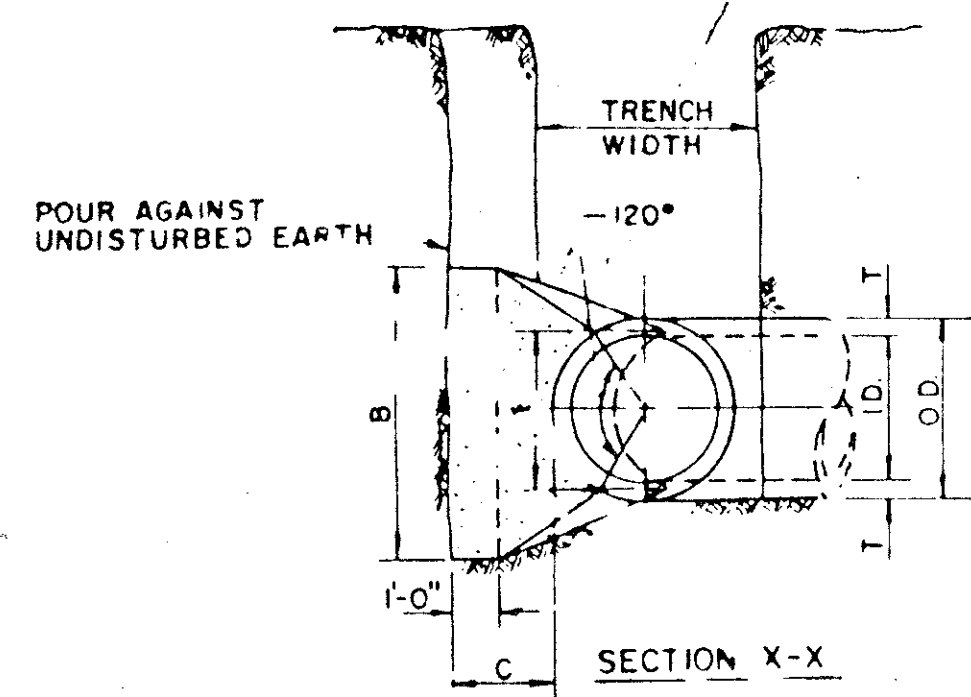


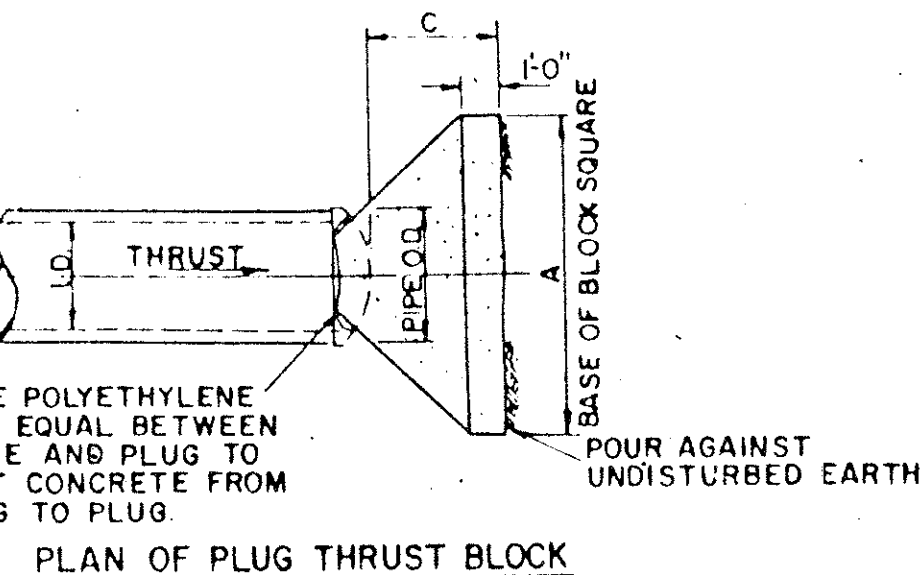
I.D. (IN.)	T (IN.)	C 11.25°		C 22.50°		E (FT.)
		FT.	FT.	FT.	FT.	
4.6, 8	0.4	1.5	1.5	1.5	0.9	
10.12	0.5	1.5	1.5	1.5	1.2	
16.18	0.6	1.5	1.5	1.5	1.6	
20	0.7	1.5	1.5	1.5	1.8	
24	0.9	1.5	1.5	1.5	2.1	
30	2.9	1.5	1.5	1.5	2.6	
36	4.5	1.5	1.5	1.5	3.3	
42	5.0	1.8	2.6	3.8		
48	5.5	2.0	3.0	4.3		
54	6.0	2.3	3.4	4.8		
60	6.5	2.5	3.8	5.3		
66	6.8	2.8	4.1	5.7		
72	7.5	3.0	4.5	6.3		
78	7.5	3.3	4.9	6.7		
84	8.0	3.5	5.3	7.2		
90	8.5	3.8	5.6	7.7		
96	9.0	4.0	6.0	8.2		



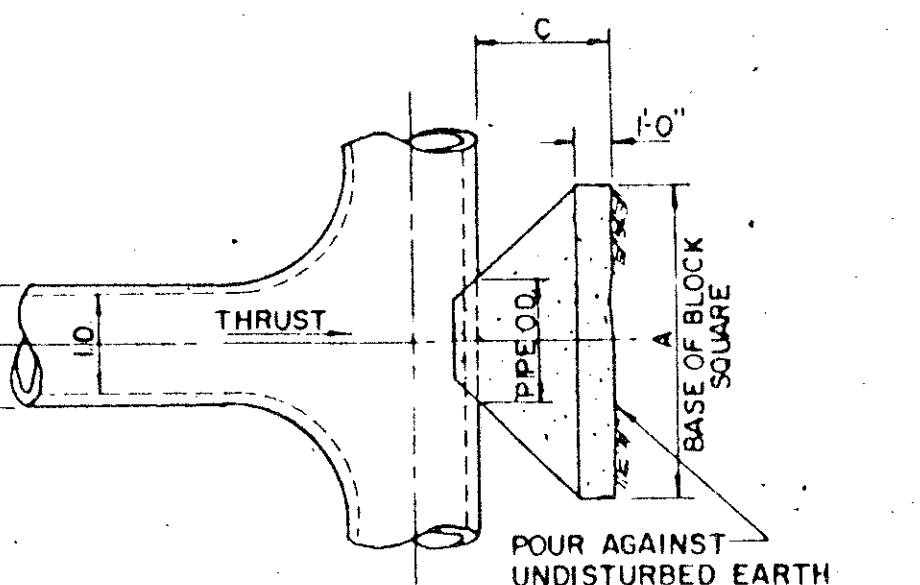
I.D. (IN.)	G (FT.)	EARTH			ROCK			I.D. (IN.)	G (FT.)	EARTH			ROCK				
		THRUST (TONS)	A (FT.)	B (FT.)	VOL. (CY)	THRUST (TONS)	A (FT.)			B (FT.)	VOL. (CY)	THRUST (TONS)	A (FT.)	B (FT.)	VOL. (CY)		
4.6, 8	0.4	10	1.0	1.0	0.1	10	1.0	0.1	4.6, 8	0.8	2.0	1.5	1.5	0.1	10	1.0	0.1
10.12	0.6	2.2	1.5	1.5	0.1	1.0	1.5	0.1	10.12	1.1	4.4	2.0	2.5	0.3	1.5	1.5	0.1
16.18	0.8	5.0	2.0	2.5	0.3	1.5	2.0	0.2	16.18	1.6	9.5	3.0	3.5	0.6	2.0	2.5	0.3
20	0.9	6.2	2.0	3.5	0.4	1.5	3.0	0.3	20	1.8	12.3	3.5	3.5	0.7	2.0	3.5	0.4
24	1.1	8.9	3.0	3.0	0.5	1.5	3.0	0.3	24	2.2	17.7	4.0	4.5	1.0	3.0	3.0	0.5
30	1.4	10.4	3.0	3.5	0.6	2.0	3.5	0.4	30	2.7	20.7	5.0	4.5	1.5	3.0	4.0	0.8
36	1.7	15.0	3.5	4.5	0.9	2.0	4.0	0.5	36	3.3	29.8	5.5	5.5	2.3	4.0	4.0	1.3
42	1.9	20.4	4.5	5.0	1.5	2.5	5.0	0.8	42	3.8	40.5	7.0	6.0	3.9	4.5	5.0	2.1
48	2.2	26.6	4.5	6.0	2.0	2.5	6.0	1.1	48	4.4	52.9	8.0	7.0	5.7	4.8	6.0	2.8
54	2.5	33.7	6.0	6.0	3.0	3.0	6.0	1.4	54	4.9	67.0	9.0	8.0	8.0	6.0	6.0	4.1
60	2.7	41.6	6.0	7.0	3.8	3.0	7.0	1.8	60	5.5	82.7	9.5	9.0	10.6	6.0	7.0	5.5
66	3.0	50.3	6.5	8.0	3.1	3.5	8.0	2.7	66	6.0	100.1	10.5	10.0	14.1	8.5	8.0	7.2
72	3.3	59.9	7.5	8.0	6.3	4.0	8.0	6.3	72	6.6	119.1	11.0	11.0	17.6	7.5	8.0	9.1
78	3.6	70.2	8.0	9.0	8.1	4.0	9.0	3.9	78	7.1	139.6	12.0	12.0	22.5	8.0	9.0	11.7
84	3.8	81.5	8.5	10.0	10.3	4.5	10.0	5.3	84	7.6	162.1	13.0	12.5	27.2	8.5	10.0	14.8
90	4.1	93.5	9.5	10.0	12.2	5.0	10.0	6.3	90	8.2	186.1	14.0	13.5	33.7	9.5	10.0	17.7
96	4.4	106.4	10.0	11.0	15.0	5.0	11.0	7.4	96	8.7	211.7	15.0	14.5	41.2	10.0	11.0	21.8

**HORIZONTAL BEND THRUST BLOCK**

I.D. (IN.)	G (FT.)	EARTH			ROCK			I.D. (IN.)	G (FT.)	EARTH			ROCK				
		THRUST (TONS)	A (FT.)	B (FT.)	VOL. (CY)	THRUST (TONS)	A (FT.)			B (FT.)	VOL. (CY)	THRUST (TONS)	A (FT.)	B (FT.)	VOL. (CY)		
4.6, 8	1.0	2.6	2.0	1.5	0.2	1.0	1.8	0.1	4.6, 8	1.5	3.9	2.0	2.0	0.2	1.5	1.5	0.1
10.12	1.5	3.9	2.5	2.5	0.3	2.0	1.5	0.2	10.12	2.2	8.7	3.5	2.5	0.5	2.0	2.5	0.3
16.18	2.2	13.2	3.9	4.0	0.8	2.5	3.0	0.8	16.18	3.2	19.5	4.5	4.5	1.2	3.0	3.5	0.6
20	2.4	16.3	4.5	4.0	1.0	3.0	3.0	0.5	20	3.6	24.1	5.5	4.5	1.5	3.5	3.5	0.7
24	2.9	23.4	6.0	4.0	1.4	3.5	3.5	0.7	24	4.3	34.6	8.0	4.5	2.3	4.5	4.0	1.1
30	3.6	27.5	5.5	5.0	1.9	3.5	4.0	0.9	30	5.4	40.6	8.5	5.0	3.2	5.5	4.0	1.6
36	4.4	39.5	7.0	6.0	3.4	4.5	4.5	1.6	36	6.5	58.5	10.0	6.0	5.3	6.5	4.5	2.6
42	5.1	53.8	8.0	7.0	5.1	5.5	5.0	2.5	42	7.5	79.6	11.5	7.0	8.1	8.0	5.0	4.2
48	5.8	70.3	9.0	8.0	7.4	6.0	6.0	3.7	48	8.6	104.0	13.0	8.0	11.9	9.0	6.0	6.3
54	6.5	89.0	10.0	9.0	10.3	7.0	6.5	5.3	54	9.7	131.5	15.0	9.0	17.1	10.5	6.5	8.9
60	7.3	110.0	11.0	10.0	13.9	7.5	7.5	7.3	60	10.7	162.4	16.5	10.0	23.1	11.0	7.5	12.0
66	8.0	132.9	12.5	11.0	18.9	8.5	8.0	9.6	66	11.8	196.5	18.0	11.0	30.1	12.0	8.5	16.2
72	8.7	158.2	13.5	12.0	24.0	9.0	9.0	12.3	72	12.9	233.9	19.5	12.0	38.6	14.0	8.5	20.7
78	9.4	185.6	14.5	13.0	30.0	10.0	9.5	15.8	78	13.9	274.5	21.5	13.0	49.8	14.5	9.5	25.9
84	10.1	215.3	15.5	14.0	37.1	10.5	10.5	19.5	84	15.0	318.4	23.0	14.0	61.2	15.5	10.5	32.8
90	10.9	247.1	16.5	15.0	45.0	11.5	11.0	23.9	90	16.1	365.5	24.5	15.0	74.5	17.5	10.5	39.6
96	11.6	281.2	18.0	16.0	55.5	12.5	11.5	28.9	96	17.1	415.6	26.0	16.0	89.5	18.5	11.5	48.5



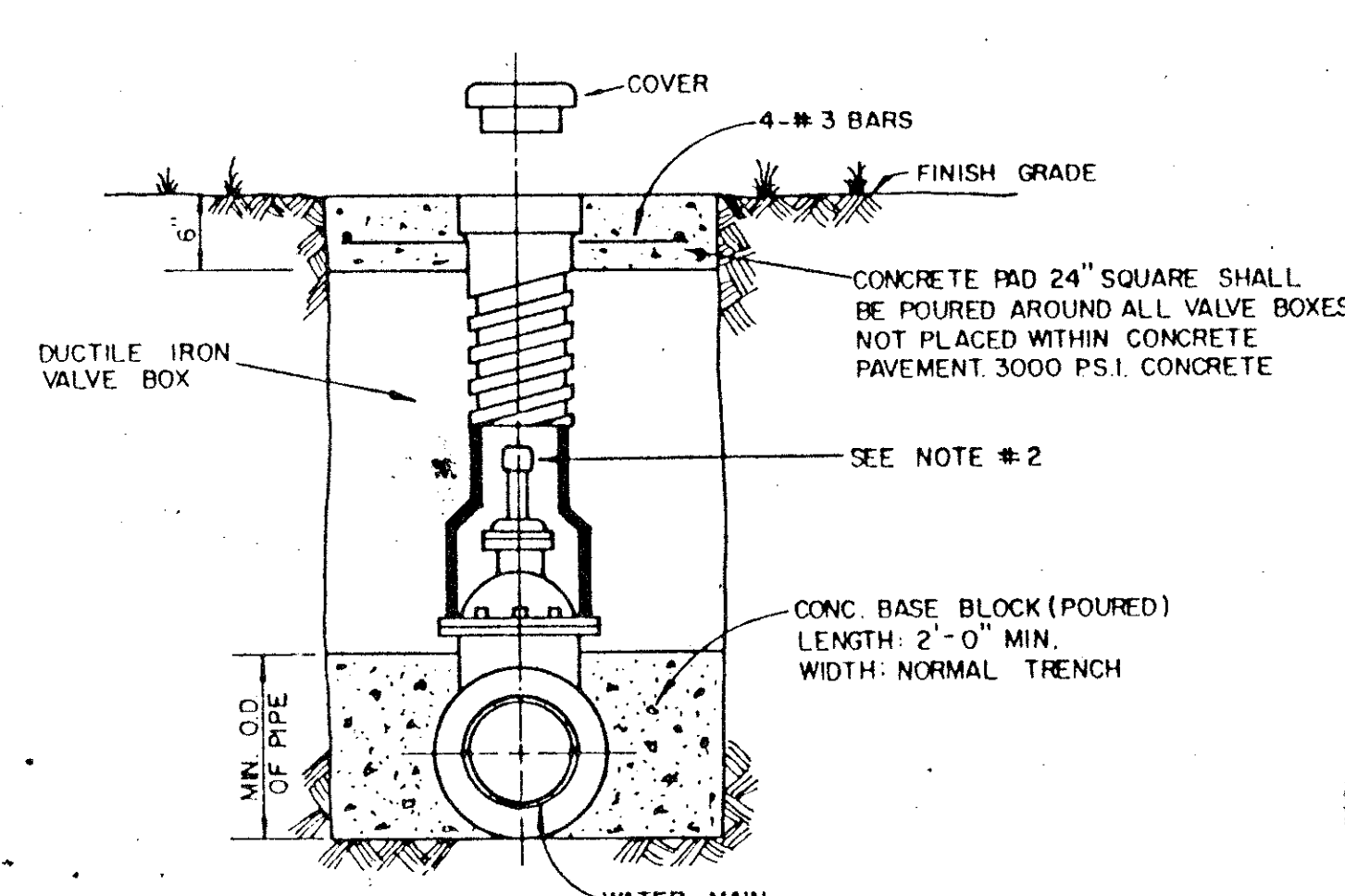
PLAN OF PLUG THRUST BLOCK



PLAN OF TEE THRUST BLOCK

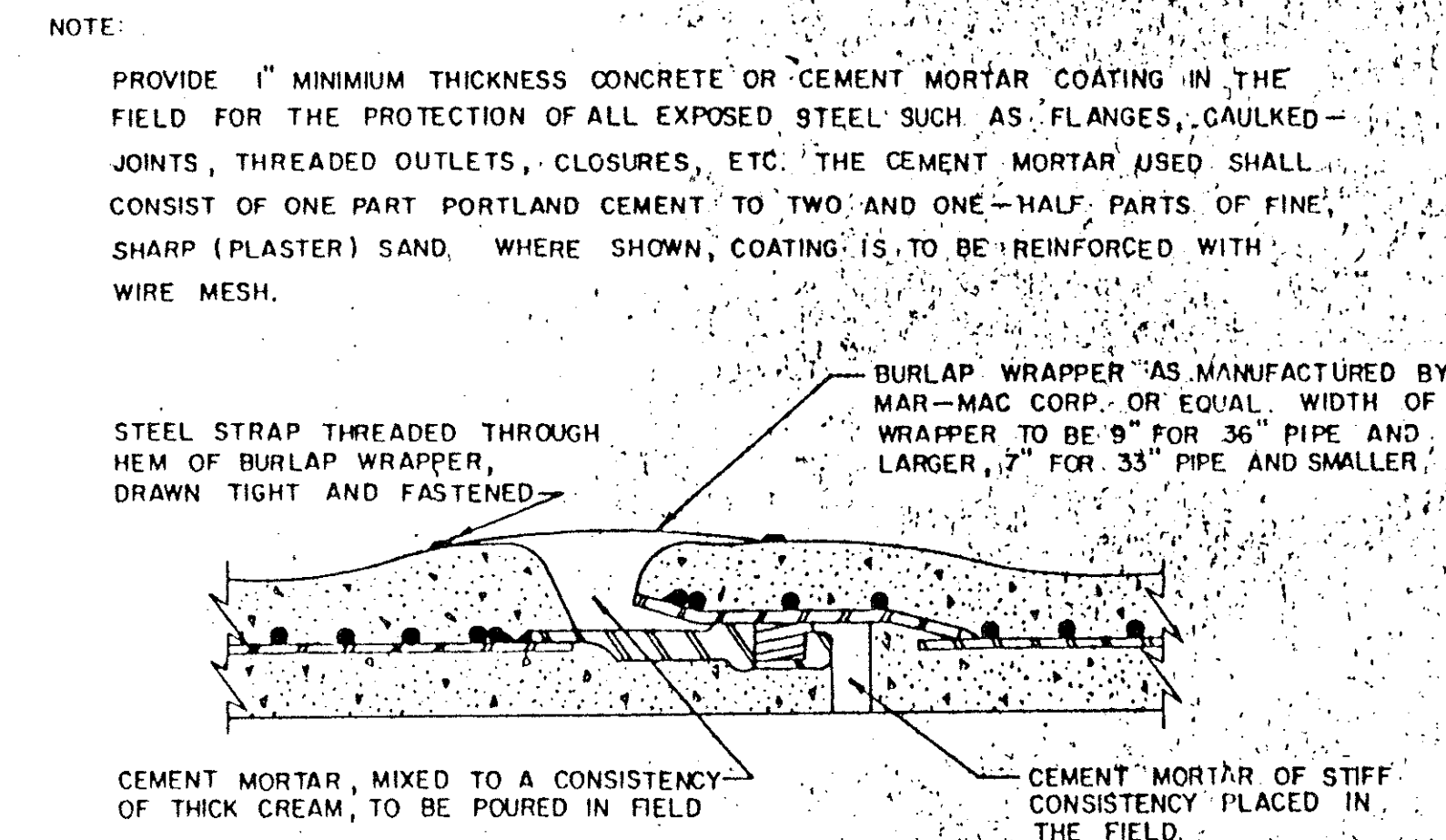
I.D. (IN.)	THRUST (TONS)	EARTH		ROCK		
		C (FT.)	A VOL. (CY)	B VOL. (CY)	E VOL. (CY)	
4.6, 8	5.1	1.5	2.5	0.3	2.0	0.2
10.12	11.3	1.5	3.5	0.6	2.5	0.3
16.18	23.5	2.0	5.5	1.6	4.0	0.8
20	31.5	2.0	6.0	1.9	4.0	0.9
24	45.2	2.5	7.0	3.1	5.0	1.7
30	53.0	3.0	7.5	4.1	5.5	2.4
36	76.3	4.0	9.0	7.3	6.5	4.2
42	104.0	4.5	10.5	11.0	7.5	6.2
48	136.0	5.0	12.0	15.6	8.5	8.7
54	172.0	5.5	13.5	21.4	9.5	11.9
60	212.0	6.0	15.0	28.4	10.5	15.7
66	237.0	6.5	16.5	36.8	11.5	20.5
72	309.0	7.5	17.5	47.2	12.5	27.2
78	358.0	8.0	19.0	58.9	13.5	33.7
84	416.0	8.5	20.5	72.3	14.5	41.2
90	477.0	9.0	22.0	87.7	15.5	49.7
96	543.0	9.5	23.5	104.8	16.5	61.0

**PLUG & TEE THRUST BLOCK**

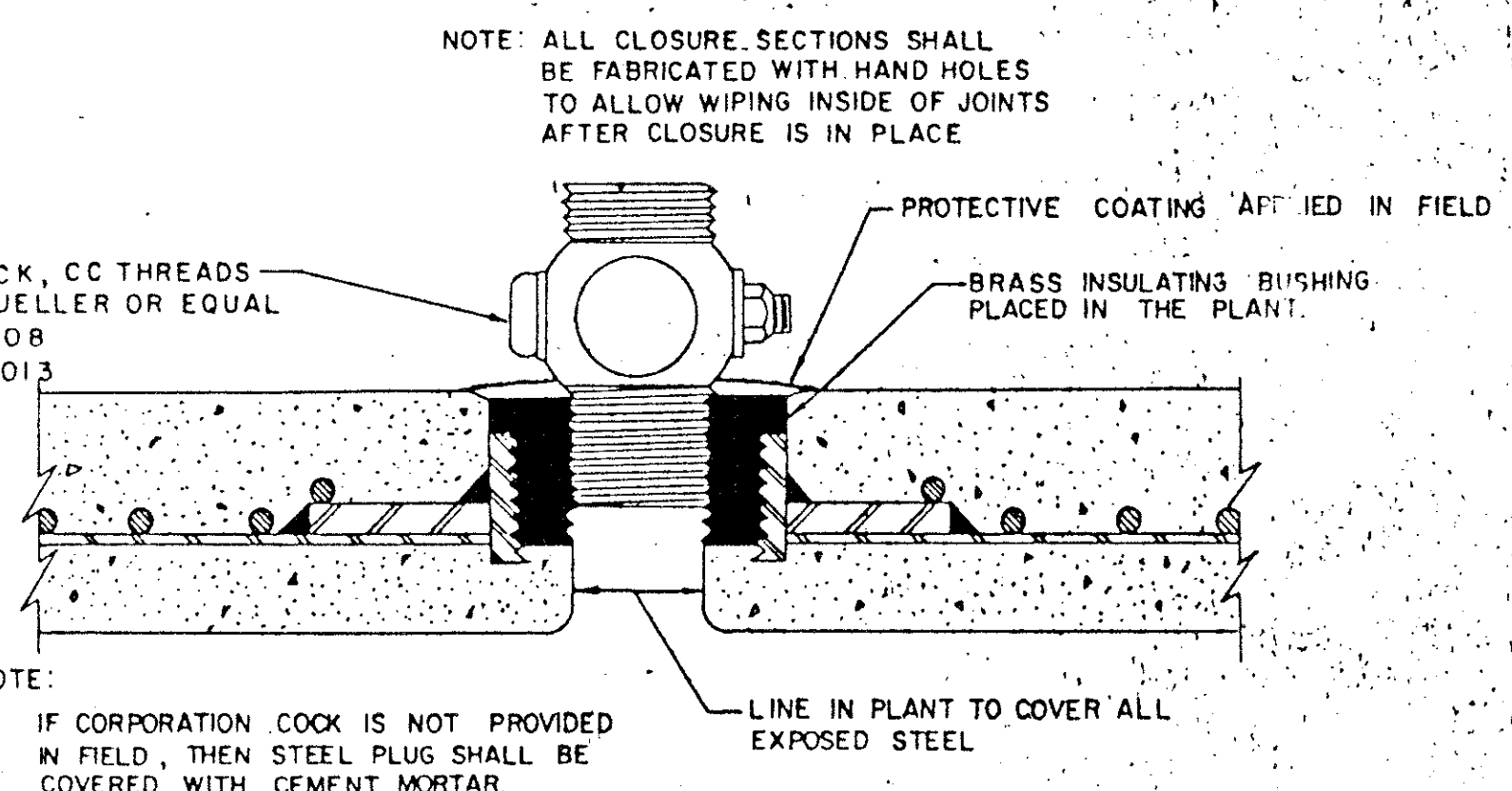


NOTE:  
 1. GATE VALVES SHALL BE IN ACCORDANCE WITH AWWA STANDARD C-509-80 OR LATEST THEREOF ALL VALVES SHALL BE "MULLER" OR APPROVED EQUAL.  
 2. A PERMANENTLY ATTACHED VALVE EXTENSION STEM SHALL BE REQUIRED FOR ANY VALVE THATS OPERATING NOT IS LOCATED IN EXCESS OF 4 FEET BELOW THE TOP OF VALVE BOX. THIS EXTENSION SHALL BE OF SUFFICIENT LENGTH TO INSURE THAT ITS TOP IS WITHIN 4" OF VALVE BOX LID. MANUFACTURED VALVE STACK DUCTILE IRON PIPE TO BE USED FOR EXTENSION GREATER THAN 4'-0" BELL END OF STACK TO BE FITTED OVER VALVE. VALVE AND VALVE STACK IS TO BE POLY WRAPPED.  
 3. VALVES SHALL BE OF DUCTILE IRON W/RUBBER ENCAPSULATED DISK BODY BOLTS SHALL BE STAINLESS STEEL OF SAME SIZE ON EACH VALVE.

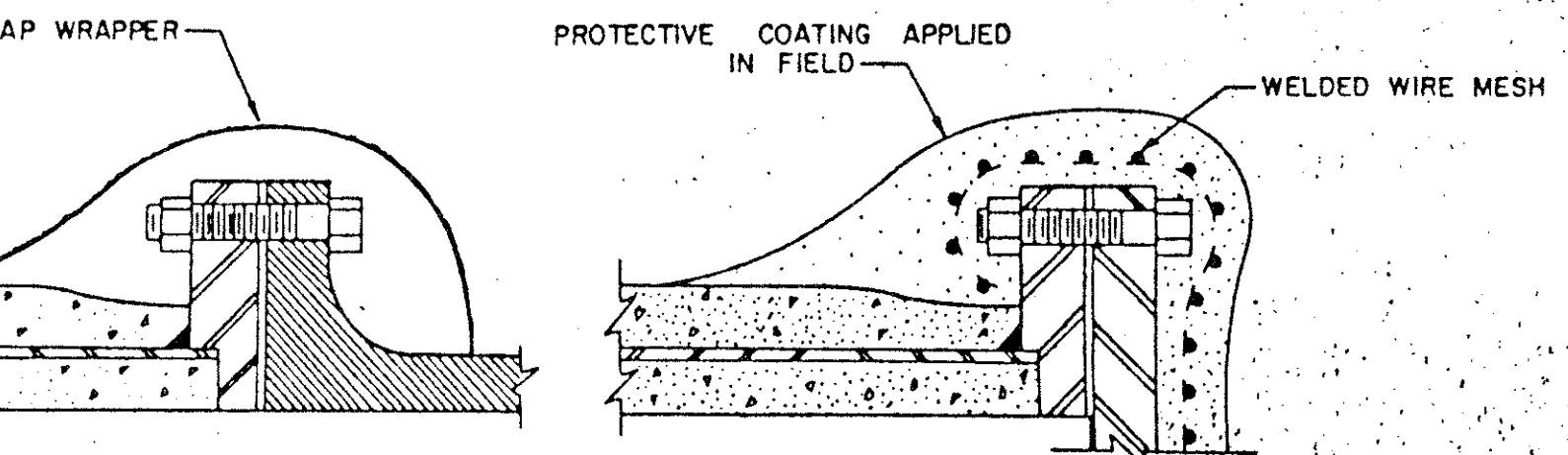
**TYPICAL VALVE SETTING AND BOX**



**STANDARD RUBBER GASKET JOINT**

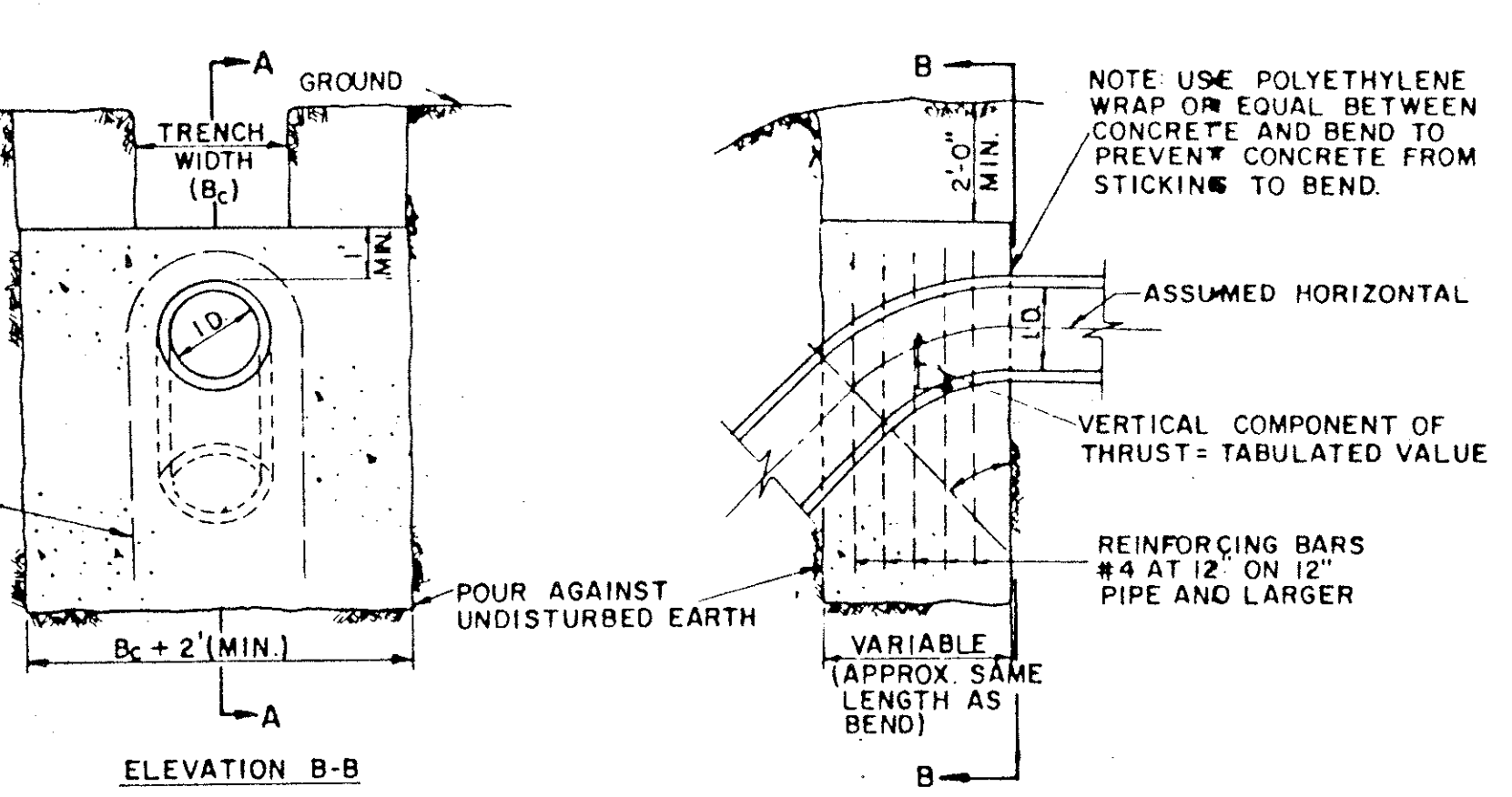


**THREADED CONNECTION**



**FLANGED CONNECTIONS**

**REINFORCED CONCRETE CYLINDER PIPE DETAILS**



I.D. (IN.)	THRUST (TONS)	11.25°		22.50°		30°		45°		67.50°		90°		I.D. (IN.)
		THRUST (TONS)	VOL. (CY)	THRUST (TONS)	VOL. (CY)	THRUST (TONS)	VOL. (CY)	THRUST (TONS)	VOL. (CY)	THRUST (TONS)	VOL. (CY)	THRUST (TONS)	VOL. (CY)	
4.6, 8	1.0	0.5	2.0	1.0	2.5	1.3	3.6	1.8	4.6	2.3	5.0	2.5	4.6, 8	
10.12	2.2	1.1	4.3	2.2	5.7	2.8	8.0	4.0	10.5	5.2	11.3	5.7	10.12	
16.18	5.0	2.5	9.7	4.8	12.7	6.4	18.0	9.0	23.5	11.8	23.5	12.7	16.18	
20	6.1	3.1	12.0	6.0	15.7	7.9	22.2	11.1	29.2	14.5	31.4	15.7	20	
24	8.2	4.4	17.3	8.7	22.6	11.3	32.0	16.0	41.8	20.9	45.2	22.6	24	
30	10.5	5.2	20.3	10.1	26.5	13.3	37.5	18.8	49.0	24.5	53.1	26.5	30	
36	14.9	7.5	29.2	14.6	38.2	19.1	54.0	27.0	70.5	35.3	76.4	38.2	36	
42	20.3	10.1	39.8	19.9	52.0	26.0	73.5	36.7	96.0	48.0	104.0	52.0	42	
48	26.5	13.2	51.9	26.0	67.9	33.9	96.0	48.0	124.0	62.7	136.0	67.9	48	
54	33.5	16.8	65.7	32.9	85.9	42.9	122.0	60.7	159.0	79.4	172.0	85.9	54	
60	41.4	20.7	81.2	40.6	106.0	53.0	150.0	75.0	196.0	98.0	212.0	106.0	60	
66	50.1	25.0	98.2	49.1	128.0	64.2	182.0	90.7	237.0	119.0	257.0	128.0	66	
72	59.6	29.8	117.0	58.4	153.0	76.5	216.0	108.0	282.0	141.0	305.0	153.0	72	
78	69.9	35.0	137.0	68.6	179.0	90.0	254.0	127.0	331.0	166.0	358.0	179.0	78	
84	81.1	40.5	159.0	79.5	208.0	104.0	294.0	147.0	384.0	192.0	416.0	208.0	84	
90	93.1	46.5	183.0	91.3	239.0	119.0	337.0	169.0	441.0	221.0	477.0	239.0	90	
96	106.0	53.0	208.0	104.0	272.0	136.0	384.0	192.0	502.0	251.0	543.0	272.0	96	

GENERAL NOTES FOR ALL THRUST BLOCKS  
 1. All Calculations Are Based On Internal Pressure Of 200 P.S.I. For 24" I