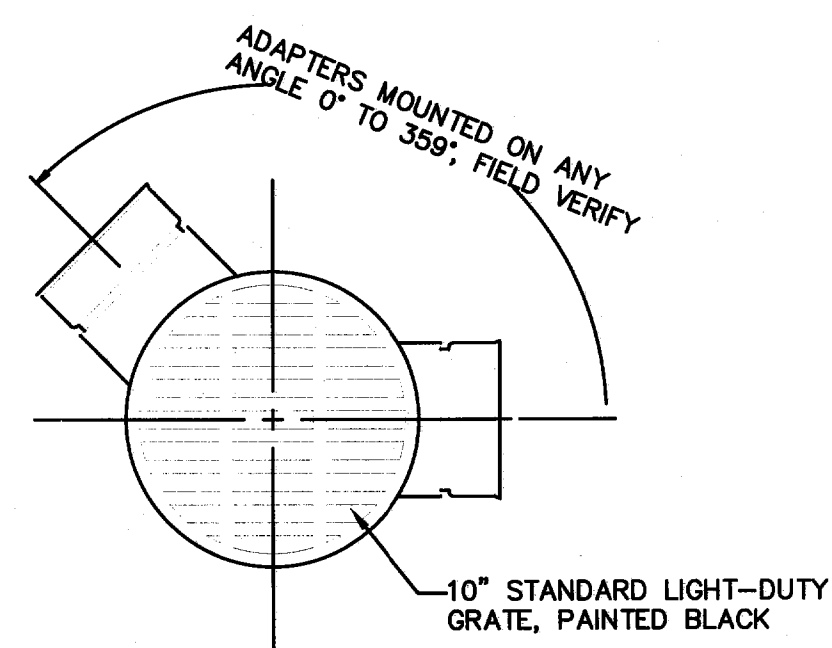
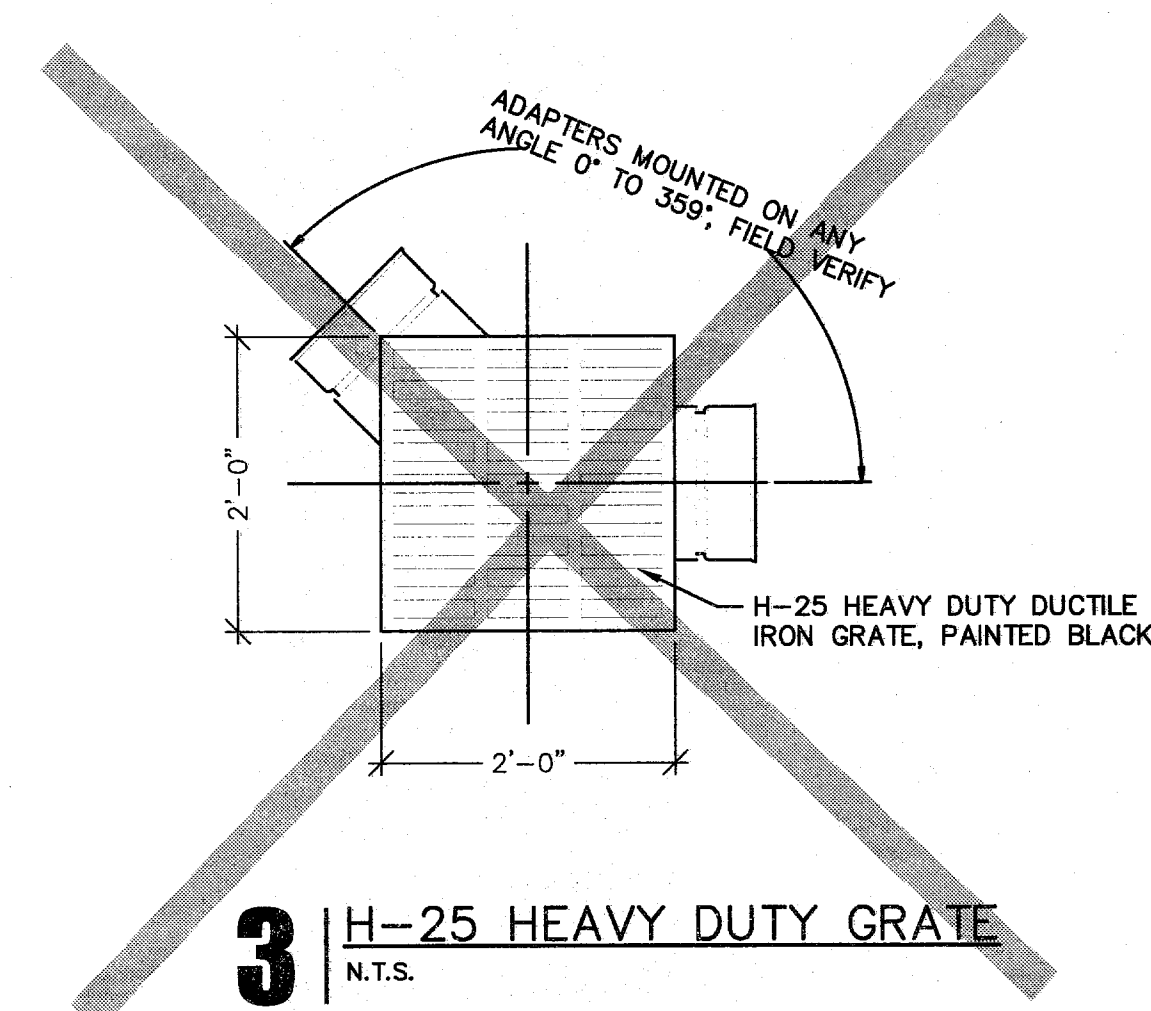


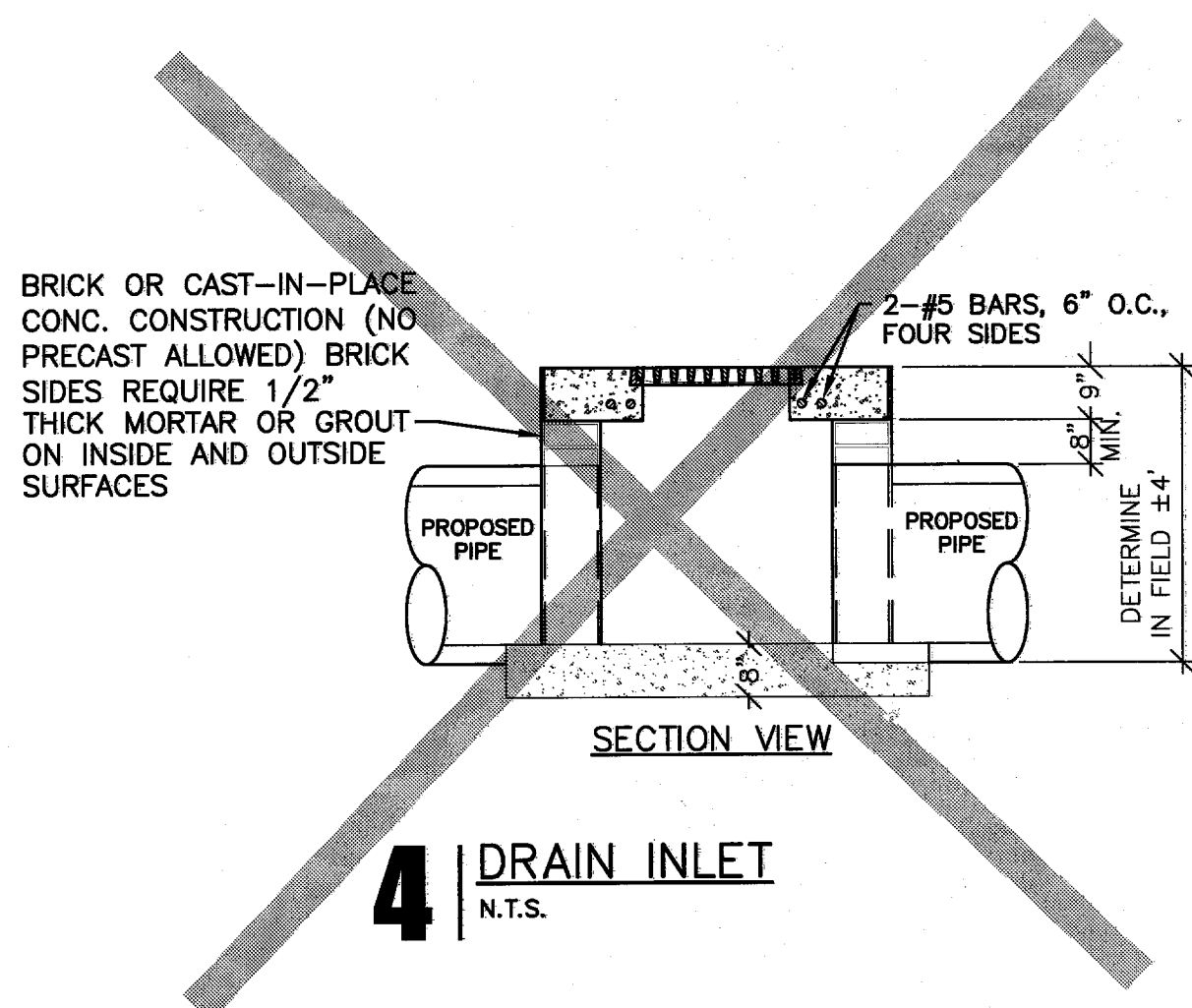
**1** DRAIN BASIN WITH 10" GRATE  
N.T.S.



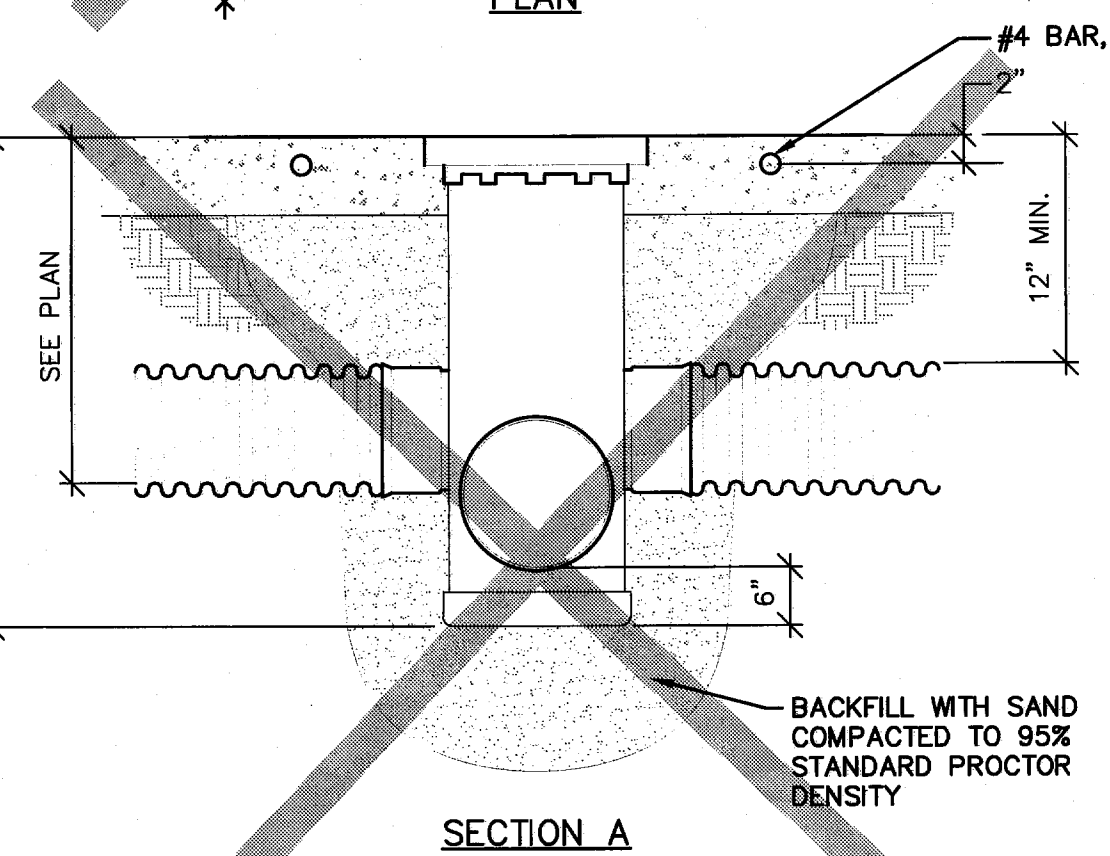
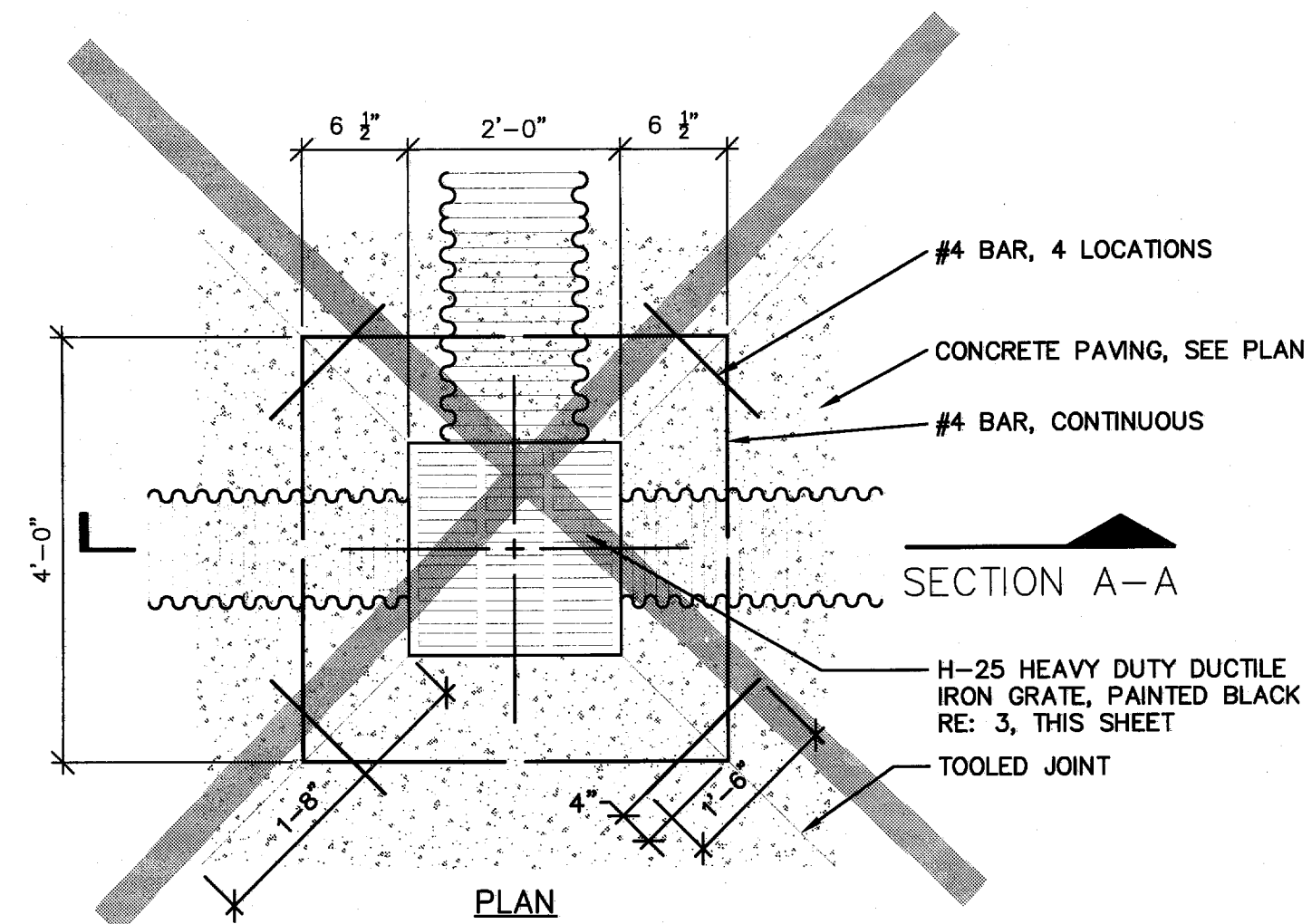
**2** 10" LIGHT DUTY GRATE  
N.T.S.



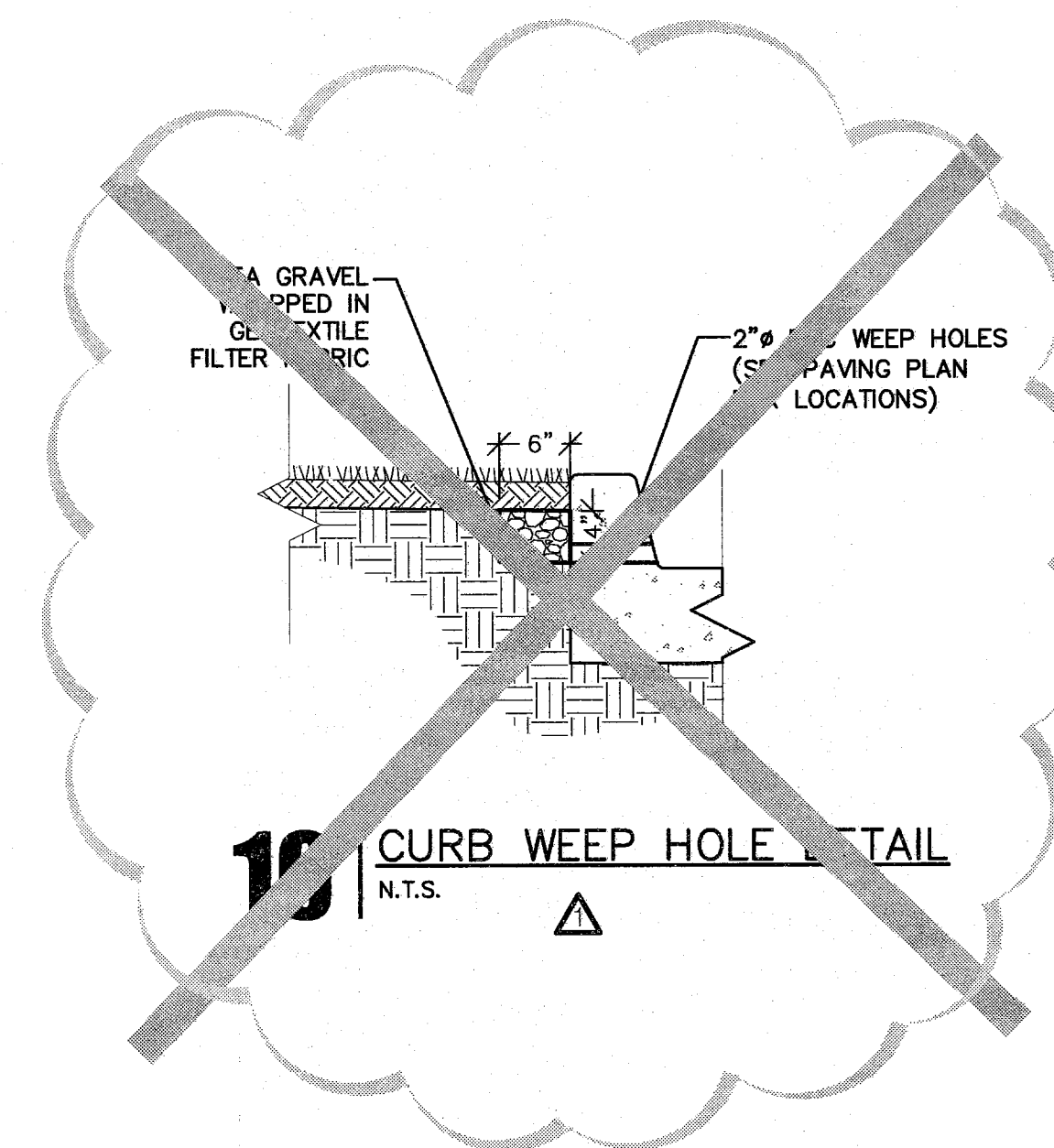
**3** H-25 HEAVY DUTY GRATE  
N.T.S.



**4** DRAIN INLET  
N.T.S.



**6** DRAIN BASIN WITH 24" SQUARE GRATE  
N.T.S.



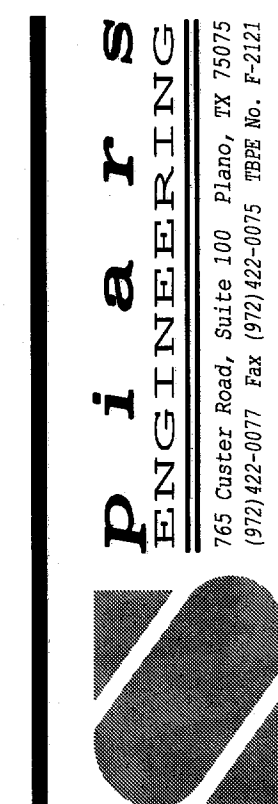
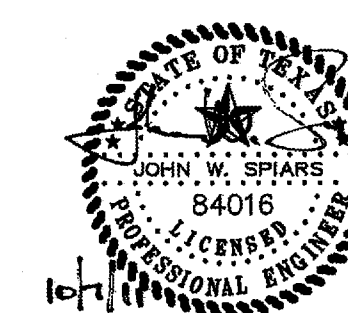
**7** CURB WEEP HOLE DETAIL  
N.T.S.



Restaurant Support Office  
5800 TENNYSON PARKWAY, SUITE 200  
Tel: 972.769.3357 Fax: 972.769.3101

Store:  
**Raising Cane's**  
**Store # 98**  
**Belt Line Road**  
**Addison, TX 75001**  
**Prototype 2**

Professional of Record:



Architect Information:



CSRS, Inc.  
6767 Perkins Road Suite 200 Baton Rouge, LA 70808  
Tele: 225.769-0546 Fax: 225.767-0060  
www.csronline.com

Prototype Issue Date: August 1, 2010

Design Bulletin Updates:

Date Issued: Bulletin Number:

**FOR CONSTRUCTION**

Revisions:

#	Date	Description
Δ	10-07-2011	PERMIT/OWNER REVIEW

Sheet Title:

**SITE DETAILS**  
**(PRIVATE)**

Date: October 07, 2011

Project Number: SEI No. 11-101

Drawn By: MPC

Sheet Number:

**C12**