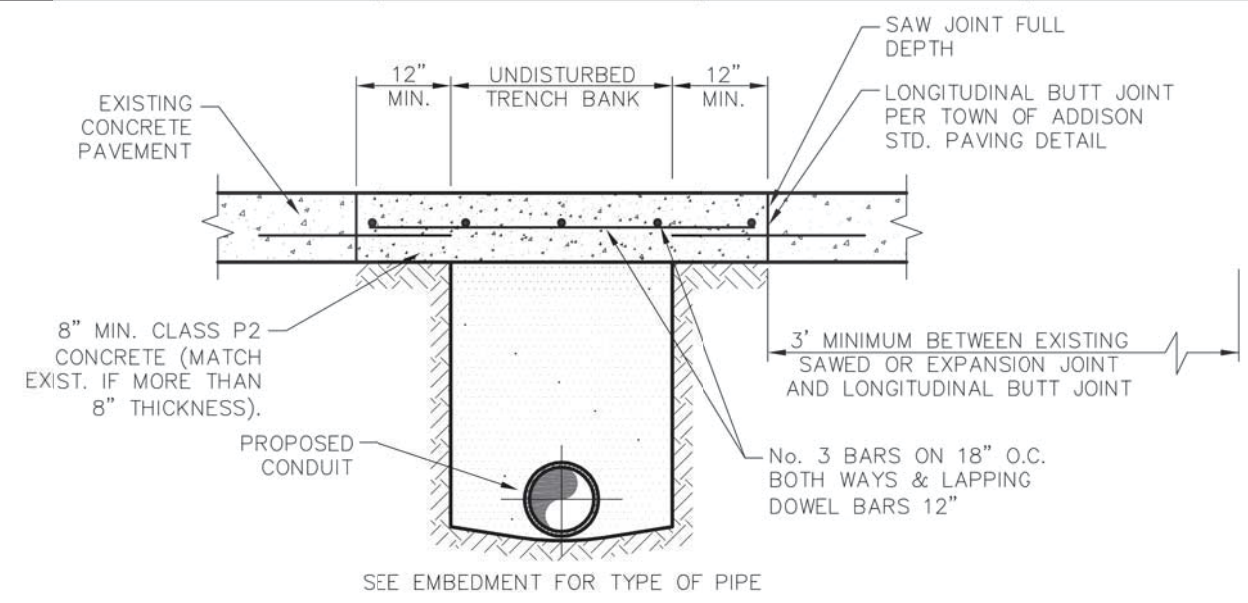


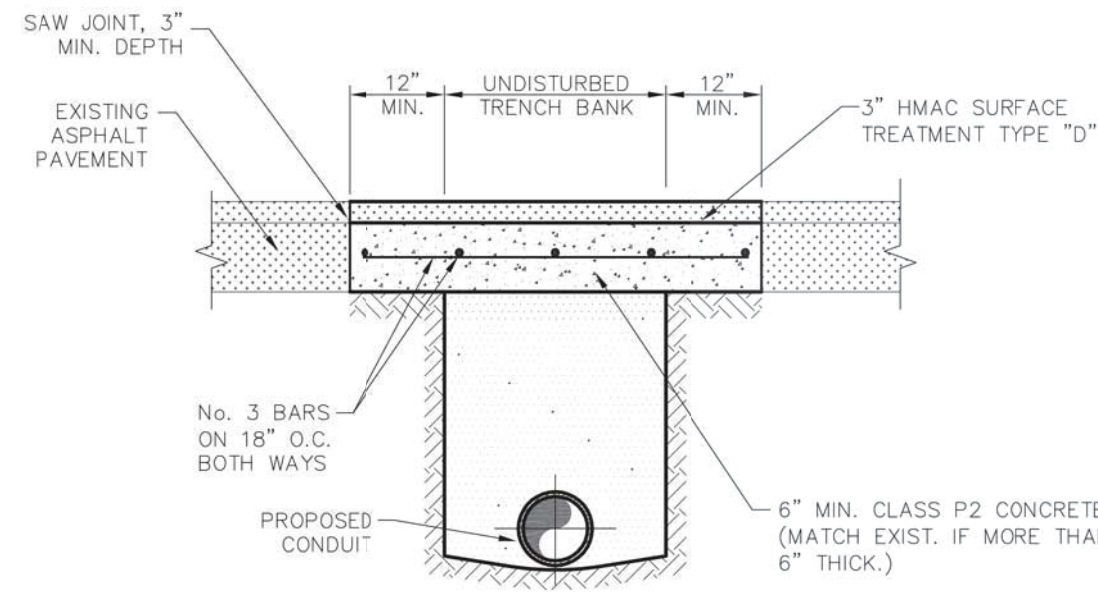
STORM SEWER – GENERAL NOTES:

1. ALL CONCRETE DRAINAGE STRUCTURES SHALL BE CLASS C CONCRETE MINIMUM.
2. ALL CRUSHED STONE SHALL BE 3/4", PASSING #4 SIEVE (GRADE 4).
3. ALL FIELD JOINTS WILL BE APPROVED BY THE TOWN ENGINEER IF NECESSARY. FIELD JOINTS SHALL BE WIPED ON THE INSIDE AND OUTSIDE TO PROVIDE FOR SMOOTH FLOW OF WATER.
4. RAMNECK COMPOUND OR APPROVED EQUAL SHALL BE USED FOR JOINT SEALS.
5. ALL STORM SEWER PIPE SHALL BE CAMERA INSPECTED AFTER THE INSTALLATION OF ALL PAVING AND UTILITIES AND PRIOR TO FINAL ACCEPTANCE OF THE PROJECT.

Addison! PUBLIC WORKS DEPARTMENT	STORM SEWER GENERAL NOTES	STANDARD CONSTRUCTION DETAILS STORM DRAINAGE		
		DATE: AUGUST, 2010	REV DATE: -	SHEET: SD-001



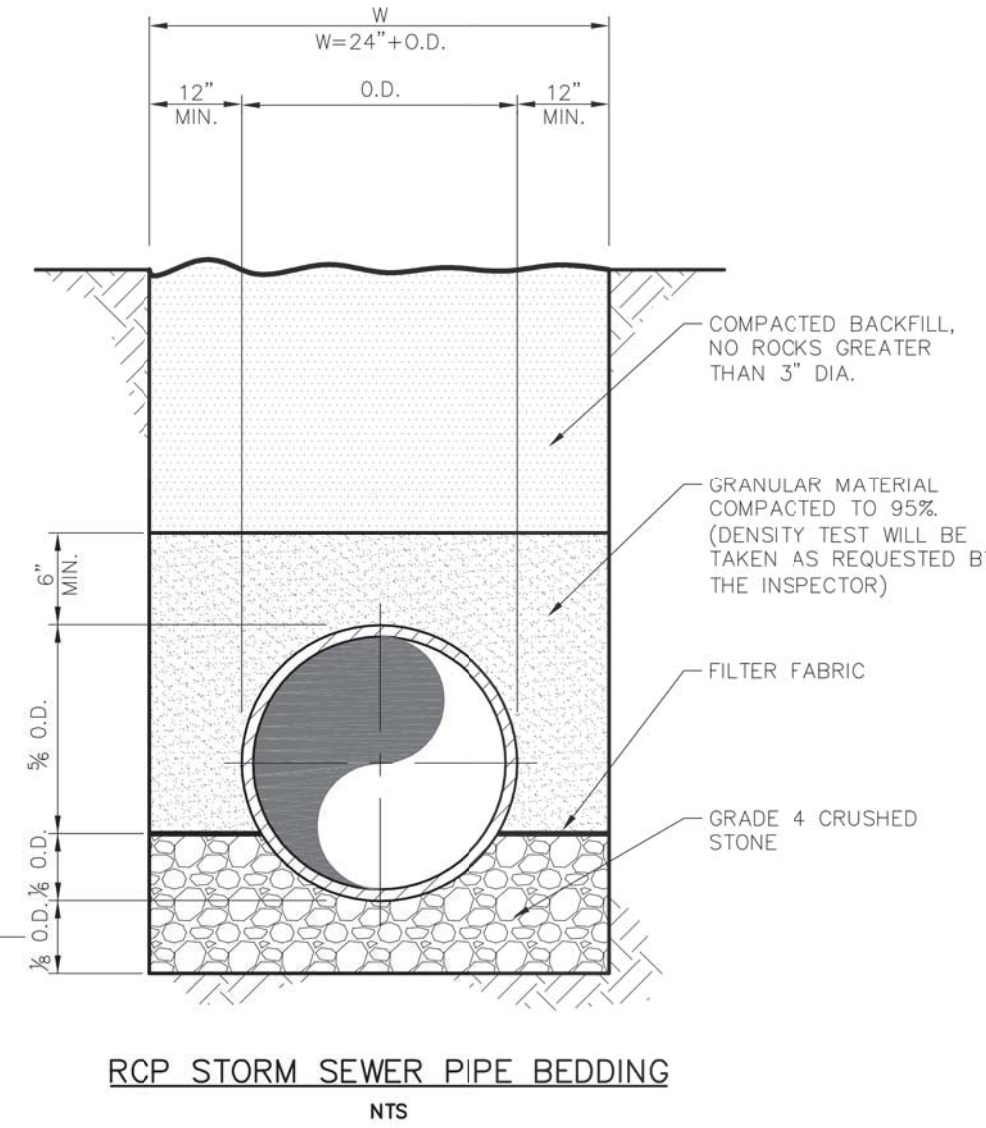
**CONCRETE STREET OR DRIVE
REPAIR**
NTS



**ASPHALT STREET OR DRIVE
REPAIR**
NTS

- NOTES:
1. ALL JOINTS SHALL BE PARALLEL OR PERPENDICULAR TO THE DIRECTION OF TRAVEL.

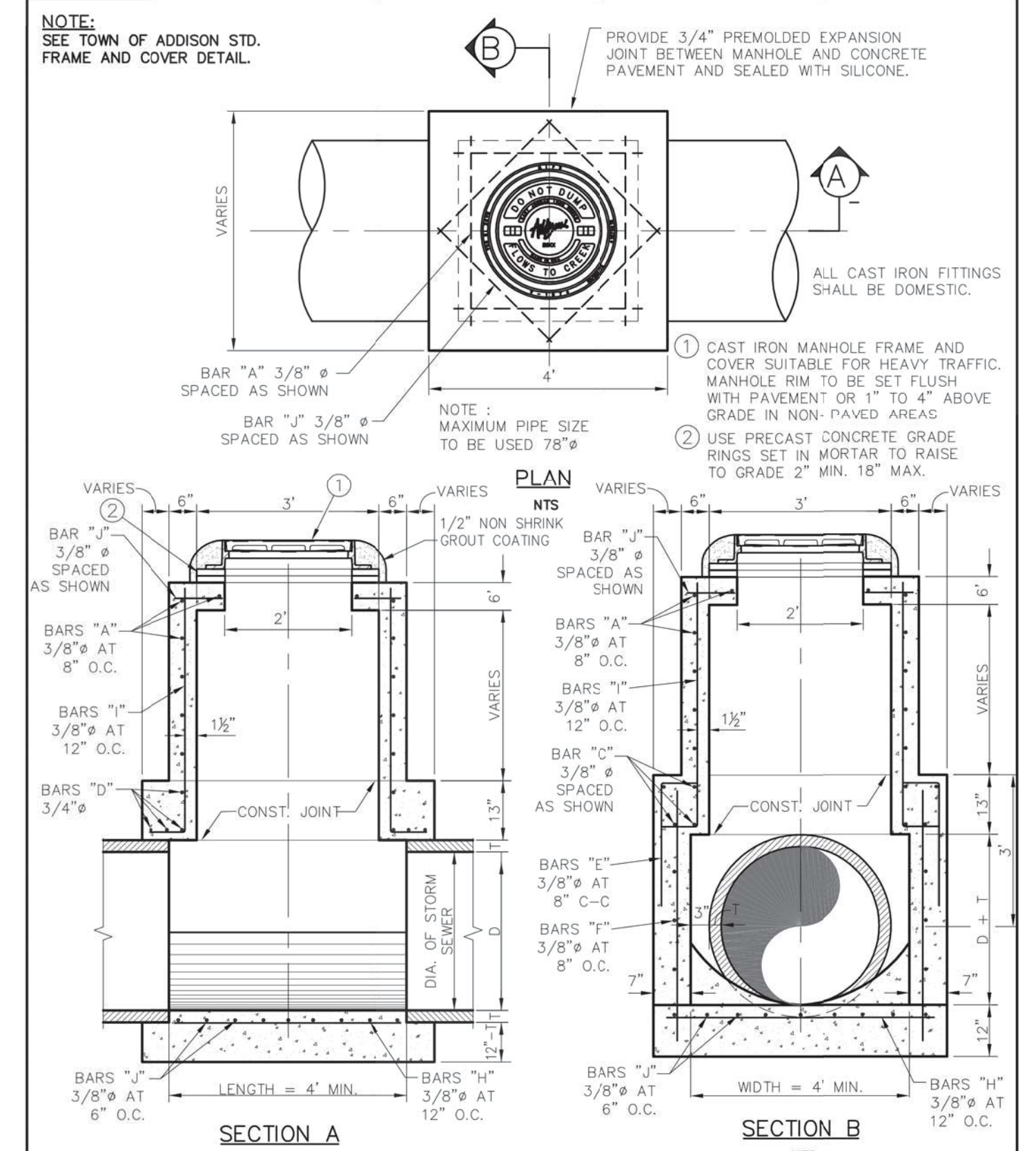
Addison! PUBLIC WORKS DEPARTMENT	CONCRETE & ASPHALT STREET & DRIVE REPAIR	STANDARD CONSTRUCTION DETAILS STORM DRAINAGE		
		DATE: AUGUST, 2010	REV DATE: -	SHEET: SD-002



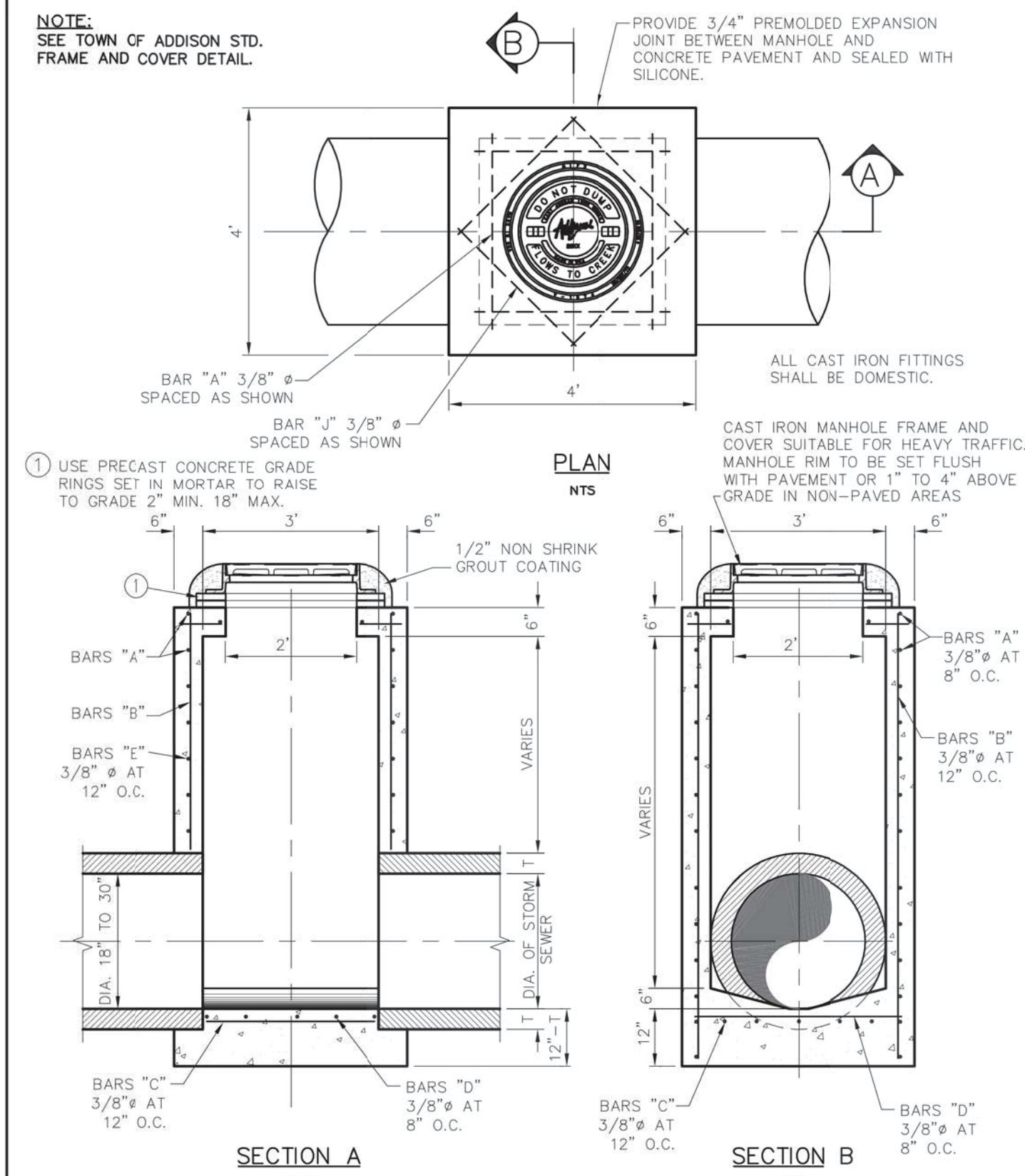
RCP STORM SEWER PIPE BEDDING
NTS

- NOTE:
1. THE DEPTH OF TRENCH BELOW THE PROPOSED CONDUIT SHALL BE AS FOLLOWS:
- 3" MIN. FOR 27" PIPE & SMALLER.
- 4" MIN. FOR 30" TO 60" PIPE.
- 6" MIN. FOR 66" PIPE OR LARGER.

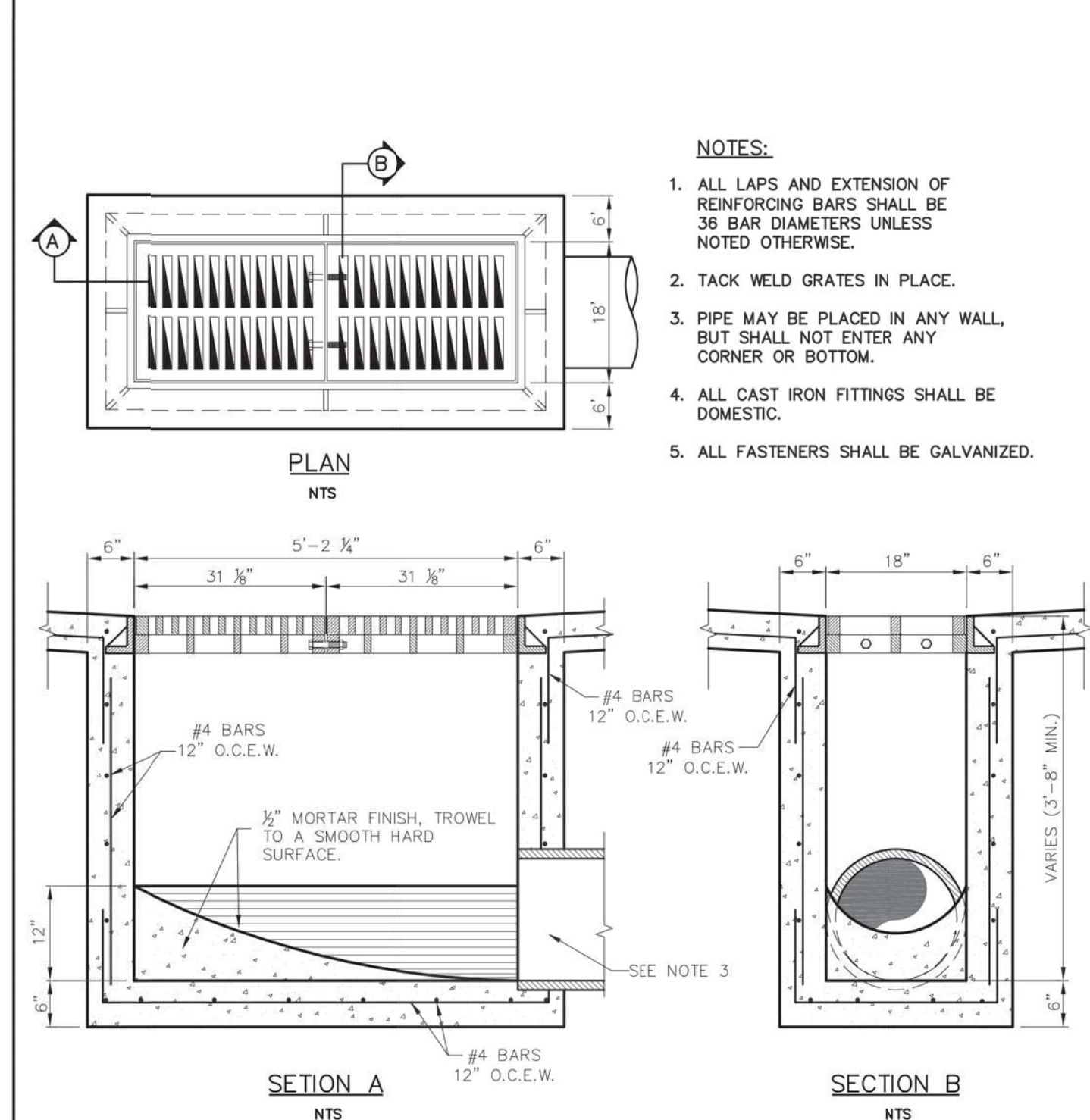
Addison! PUBLIC WORKS DEPARTMENT	RCP STORM SEWER PIPE BEDDING	STANDARD CONSTRUCTION DETAILS STORM DRAINAGE		
		DATE: AUGUST, 2010	REV DATE: -	SHEET: SD-003



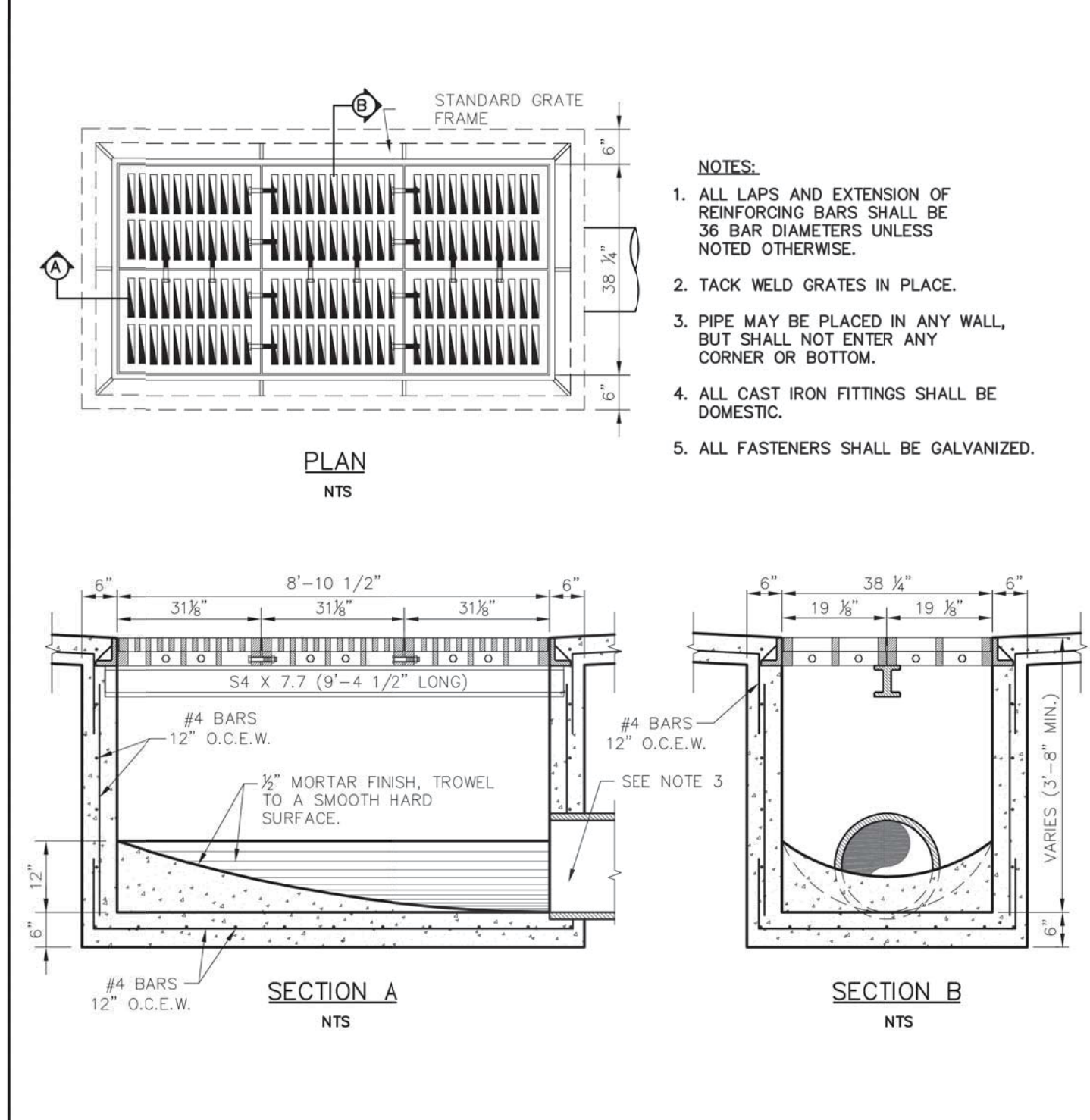
Addison! PUBLIC WORKS DEPARTMENT	TYPE "B" STORM SEWER MANHOLE (FOR 33" TO 78" RCP)	STANDARD CONSTRUCTION DETAILS STORM DRAINAGE		
		DATE: AUGUST, 2010	REV DATE: -	SHEET: SD-007



Addison! PUBLIC WORKS DEPARTMENT	TYPE "A" STORM SEWER MANHOLE (FOR 18" TO 30" RCP)	STANDARD CONSTRUCTION DETAILS STORM DRAINAGE		
		DATE: AUGUST, 2010	REV DATE: -	SHEET: SD-006



Addison! PUBLIC WORKS DEPARTMENT	TWO GRATE INLET	STANDARD CONSTRUCTION DETAILS STORM DRAINAGE		
		DATE: AUGUST, 2010	REV DATE: -	SHEET: SD-030



Addison! PUBLIC WORKS DEPARTMENT	SIX GRATE INLET	STANDARD CONSTRUCTION DETAILS STORM DRAINAGE		
		DATE: AUGUST, 2010	REV DATE: -	SHEET: SD-033

STATE OF TEXAS
CARMEN D. PEARSON
95885
LICENSED PROFESSIONAL ENGINEER
2017/12/19
SAWYER ENGINEERING, LLC
TBPE FIRM NUMBER F-9171

NO.		REVISION		BY		DATE	
TOWN OF ADDISON DALLAS COUNTY, TEXAS							
IMPROVEMENT PLANS ADDISON GROVE							
STORM DRAIN DETAILS							
SAWYER		ENGINEERING, LLC TBPE: F-9171		1520 OLIVER STREET HOUSTON, TEXAS 77007 (832) 553-5948			
PROJECT	DESIGN	DRAWN	DATE	FILE	SHEET		
	CDP	JDS	MAY 2017		31		