

CRUSHED STONE SHALL BE 3/4", PASSING # 4 SIEVE

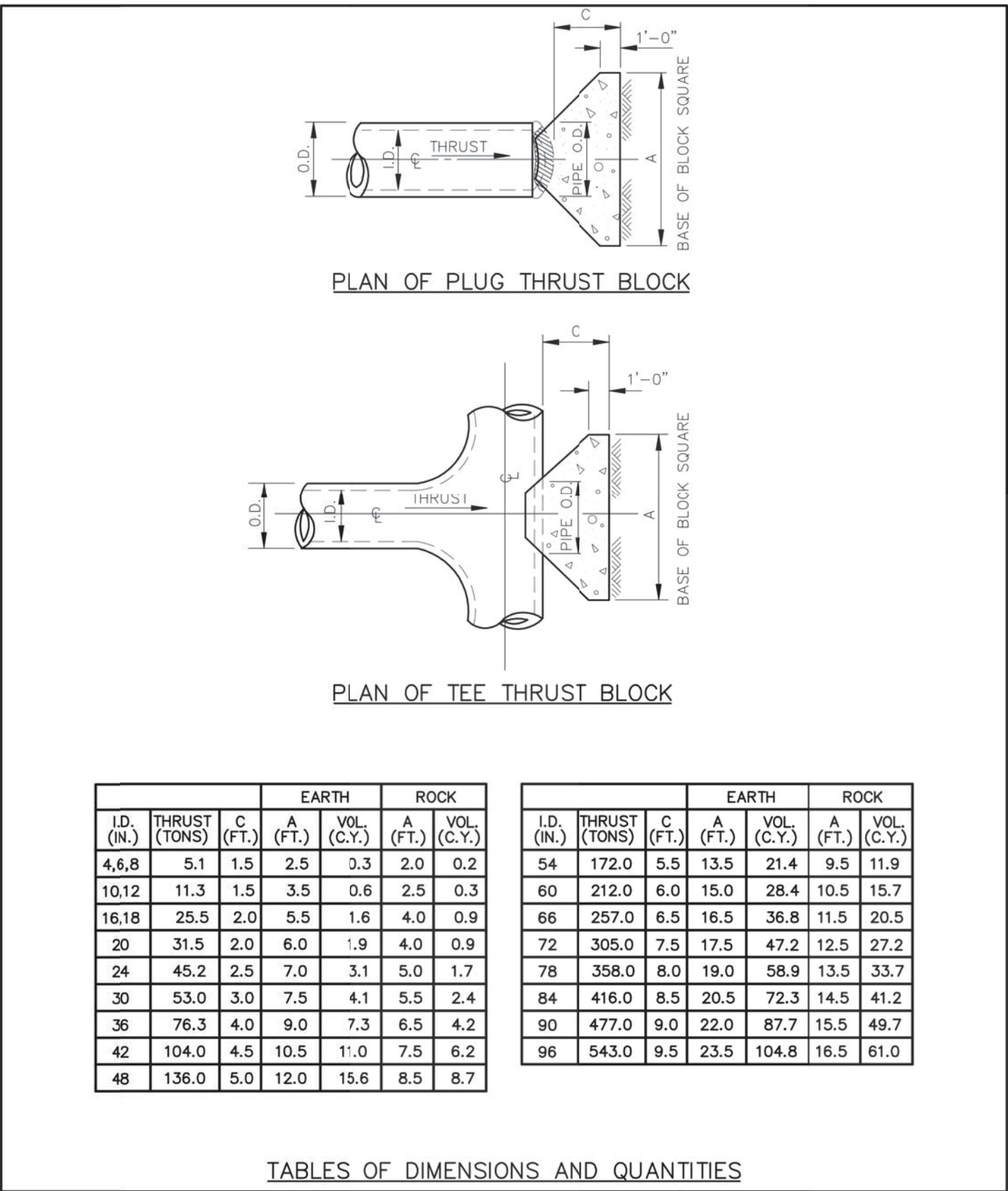
TYPICAL P.V.C. WATER MAIN EMBEDMENT

Addison!
PUBLIC WORKS DEPARTMENT

P.V.C. WATER MAIN EMBEDMENT

STANDARD CONSTRUCTION DETAILS WATER

DATE: AUGUST, 2010 REV DATE: - SHEET: SD-W01



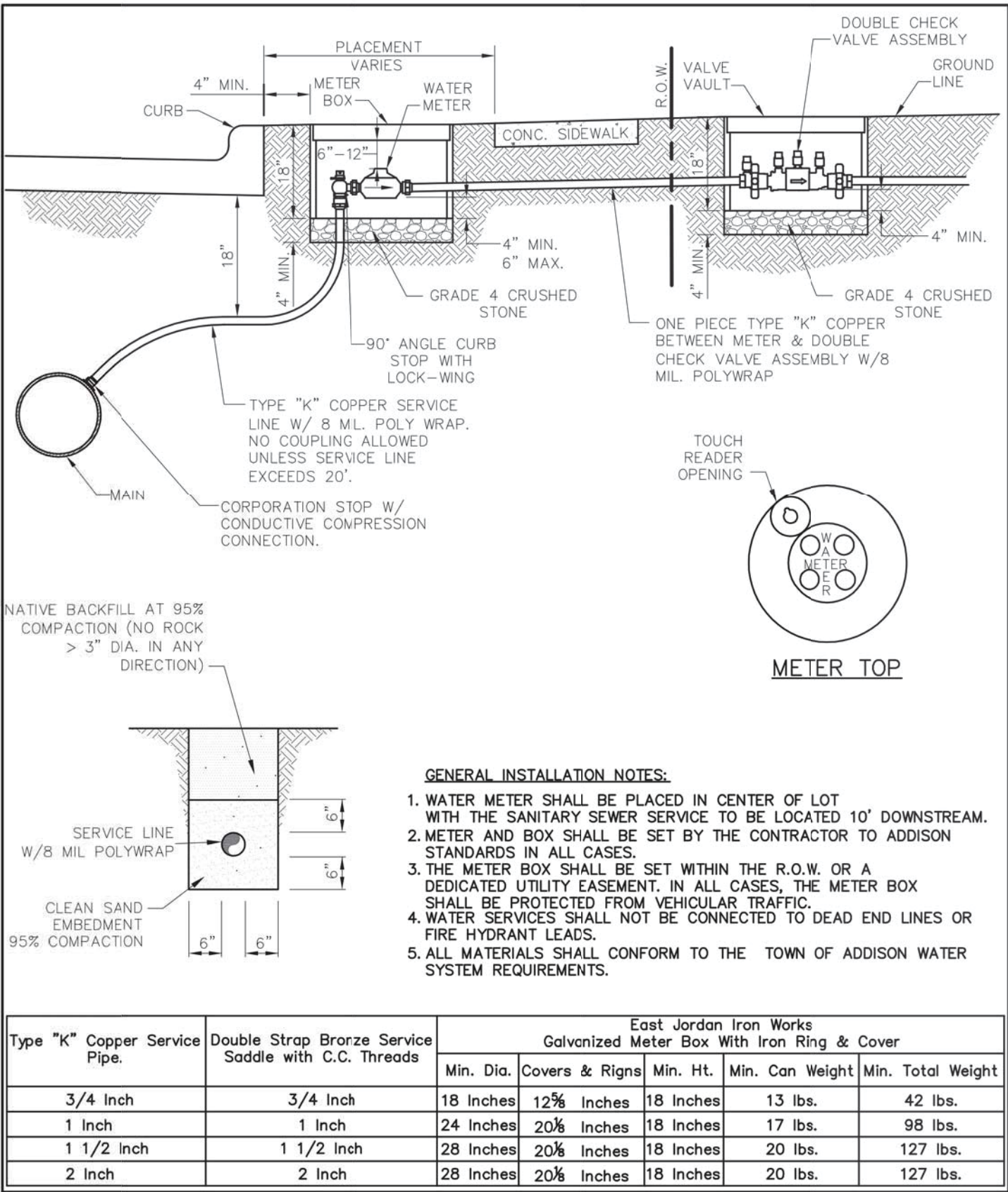
TABLES OF DIMENSIONS AND QUANTITIES

Addison!
PUBLIC WORKS DEPARTMENT

HORIZONTAL THRUST BLOCK AT TEES & PLUGS

STANDARD CONSTRUCTION DETAILS WATER

DATE: AUGUST, 2010 REV DATE: - SHEET: SD-W07



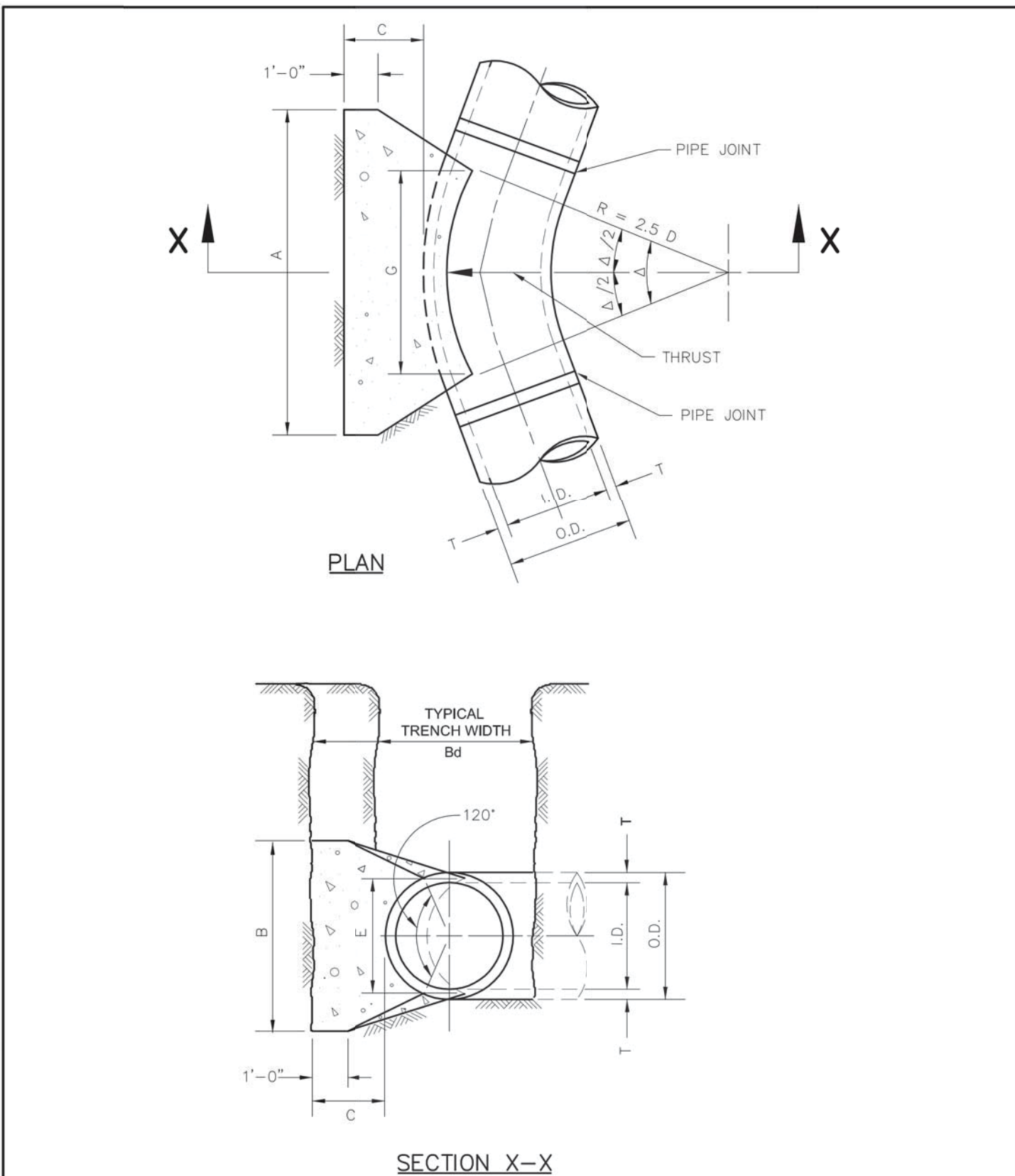
- GENERAL INSTALLATION NOTES:**
1. WATER METER SHALL BE PLACED IN CENTER OF LOT WITH THE SANITARY SEWER SERVICE TO BE LOCATED 10' DOWNSTREAM.
 2. METER AND BOX SHALL BE SET BY THE CONTRACTOR TO ADDISON STANDARDS IN ALL CASES.
 3. THE METER BOX SHALL BE SET WITHIN THE R.O.W. OR A DEDICATED UTILITY EASEMENT. IN ALL CASES, THE METER BOX SHALL BE PROTECTED FROM VEHICULAR TRAFFIC.
 4. WATER SERVICES SHALL NOT BE CONNECTED TO DEAD END LINES OR FIRE HYDRANT LEADS.
 5. ALL MATERIALS SHALL CONFORM TO THE TOWN OF ADDISON WATER SYSTEM REQUIREMENTS.

Addison!
PUBLIC WORKS DEPARTMENT

SERVICE CONNECTION WITH METER BOX

STANDARD CONSTRUCTION DETAILS WATER

DATE: AUGUST, 2010 REV DATE: - SHEET: SD-W02



SECTION X-X

Addison!
PUBLIC WORKS DEPARTMENT

HORIZONTAL THRUST BLOCK AT PIPE BEND

STANDARD CONSTRUCTION DETAILS WATER

DATE: AUGUST, 2010 REV DATE: - SHEET: SD-W04

TABLES OF DIMENSIONS AND QUANTITIES

I.D. (IN.)	G (FT.)	THRUST (TONS)	EARTH			ROCK										
			A (FT.)	B (FT.)	VOL. (C.Y.)	A (FT.)	B (FT.)	VOL. (C.Y.)								
4.6, 8	0.4	1.0	1.5	0.1	1.0	1.0	0.1	4.6, 8	0.8	2.0	1.5	1.5	0.1	1.0	1.0	0.1
10, 12	0.6	2.2	1.5	0.1	1.0	1.5	0.1	10, 12	1.1	4.4	2.0	2.5	0.3	1.5	1.5	0.1
16, 18	0.8	5.0	2.0	0.2	1.5	2.0	0.2	16, 18	1.6	9.9	3.0	3.5	0.6	2.0	2.5	0.3
20	0.9	6.2	2.0	0.3	1.5	3.0	0.3	20	1.8	12.3	3.5	3.5	0.7	2.0	3.0	0.4
24	1.1	8.9	3.0	0.5	1.5	3.0	0.3	24	2.2	17.7	4.0	4.5	1.0	3.0	3.5	0.5
30	1.4	10.4	3.0	0.5	2.0	3.5	0.4	30	2.7	20.7	5.0	4.5	1.5	3.0	4.0	0.8
36	1.7	15.0	3.5	0.5	2.0	4.0	0.5	36	3.3	29.8	5.5	5.5	2.3	4.0	4.0	1.3
42	1.9	20.4	4.5	0.5	2.5	5.0	0.8	42	3.8	40.5	7.0	6.0	3.9	4.5	5.0	2.1
48	2.2	26.6	4.5	0.5	2.5	6.0	1.1	48	4.4	52.9	8.0	7.0	5.7	4.5	6.0	2.8
54	2.5	33.7	6.0	0.5	3.0	6.0	1.4	54	4.9	67.0	9.0	8.0	6.0	6.0	6.0	4.1
60	2.7	41.6	6.0	0.5	3.0	7.0	1.8	60	5.5	82.7	9.5	9.0	10.6	6.0	7.0	5.3
66	3.0	50.3	6.5	0.5	3.0	8.0	2.7	66	6.0	100.1	10.5	10.0	14.1	6.5	8.0	7.2
72	3.3	59.9	7.5	0.5	3.0	8.0	3.3	72	6.6	119.1	11.0	11.0	17.6	7.5	8.0	9.1
78	3.6	70.2	8.0	0.5	3.0	9.0	3.9	78	7.1	139.8	12.0	12.0	22.5	8.0	9.0	11.7
84	3.8	81.5	8.5	1.0	3.0	10.3	4.5	84	7.6	162.1	13.0	12.5	27.2	8.5	10.0	14.8
90	4.1	93.5	9.5	1.0	3.0	12.2	5.0	90	8.2	186.1	14.0	13.5	33.7	9.5	10.0	17.7
96	4.4	106.4	10.0	1.0	3.0	15.3	5.0	96	8.7	211.7	15.0	14.5	41.2	10.0	11.0	21.8

Addison!
PUBLIC WORKS DEPARTMENT

HORIZONTAL THRUST BLOCK DIMENSIONS & QUANTITIES

STANDARD CONSTRUCTION DETAILS WATER

DATE: AUGUST, 2010 REV DATE: - SHEET: SD-W05

TABLES OF DIMENSIONS AND QUANTITIES

I.D. (IN.)	G (FT.)	THRUST (TONS)	EARTH			ROCK											
			A (FT.)	B (FT.)	VOL. (C.Y.)	A (FT.)	B (FT.)	VOL. (C.Y.)									
4.6, 8	1.0	2.6	2.0	1.5	0.2	1.0	1.5	0.1	4.6, 8	1.5	3.9	2.0	2.0	0.2	1.5	1.5	0.1
10, 12	1.5	5.9	2.5	2.5	0.3	2.0	1.5	0.2	10, 12	2.2	8.7	3.5	2.5	0.5	2.0	2.5	0.3
16, 18	2.2	13.2	3.5	4.0	0.3	2.5	3.0	0.4	16, 18	3.2	19.5	4.5	4.5	1.2	3.0	3.5	0.6
20	2.4	16.3	4.5	4.0	1.0	3.0	3.0	0.5	20	3.6	24.1	5.5	4.5	1.5	3.5	3.5	0.7
24	2.9	23.4	6.0	4.0	1.4	3.5	3.5	0.7	24	4.3	34.6	8.0	4.5	2.3	4.5	4.0	1.1
30	3.6	27.5	6.5	5.0	1.9	3.5	4.0	0.9	30	5.4	40.6	8.5	5.0	3.2	5.5	4.0	1.6
36	4.4	39.5	7.0	6.0	3.4	4.5	4.5	1.6	36	6.5	58.5	10.0	6.0	5.3	6.5	4.5	2.6
42	5.1	53.8	8.0	7.0	5.1	5.5	5.0	2.5	42	7.5	79.6	11.5	7.0	8.1	8.0	5.0	4.2
48	5.8	70.3	9.0	8.0	7.4	6.0	6.0	3.7	48	8.8	104.0	13.0	8.0	11.9	9.0	6.0	6.3
54	6.5	89.0	10.0	9.0	10.3	7.0	6.5	5.3	54	9.7	131.5	15.0	9.0	17.1	10.5	6.5	8.9
60	7.3	110.0	11.0	10.0	13.3	7.5	7.5	7.3	60	10.7	162.4	16.5	10.0	23.1	11.0	7.5	12.0
66	8.0	132.9	12.5	11.0	18.3	8.5	8.0	9.6	66	11.8	196.5	18.0	11.0	30.1	12.0	8.5	16.2
72	8.7	158.2	13.5	12.0	24.0	9.0	9.0	12.3	72	12.9	233.9	19.5	12.0	38.6	14.0	8.5	20.7
78	9.4	185.6	14.5	13.0	30.0	10.0	9.5	15.6	78	13.9	274.5	21.5	13.0	49.8	14.5	9.5	25.9
84	10.1	215.3	15.5	14.0	37.1	10.5	10.5	19.5	84	15.0	318.4	23.0	14.0	61.2	15.5	10.5	32.6
90	10.9	247.1	16.5	15.0	45.0	11.5	11.0	23.9	90	16.1	365.5	24.5	15.0	74.5	17.5	10.5	39.6
96	11.6	281.2	18.0	16.0	55.5	12.5	11.5	28.9	96	17.1	415.6	26.0	16.0	89.5	18.5	11.5	48.5

Addison!
PUBLIC WORKS DEPARTMENT

HORIZONTAL THRUST BLOCK DIMENSIONS & QUANTITIES

STANDARD CONSTRUCTION DETAILS WATER

DATE: AUGUST, 2010 REV DATE: - SHEET: SD-W06

SAWYER ENGINEERING, LLC
TBPE FIRM NUMBER F-9171

CARMEN D. PEARSON
95885
PROFESSIONAL ENGINEER

2017/12/19

NO. _____ REVISION _____ BY _____ DATE _____

TOWN OF ADDISON
DALLAS COUNTY, TEXAS

IMPROVEMENT PLANS
ADDISON GROVE

WATER LINE DETAILS

SAWYER ENGINEERING, LLC
1520 OLIVER STREET
HOUSTON, TEXAS 77007
(832) 553-5948

PROJECT	DESIGN	DRAWN	DATE	FILE	SHEET
	CDP	JDS	MAY 2017		43