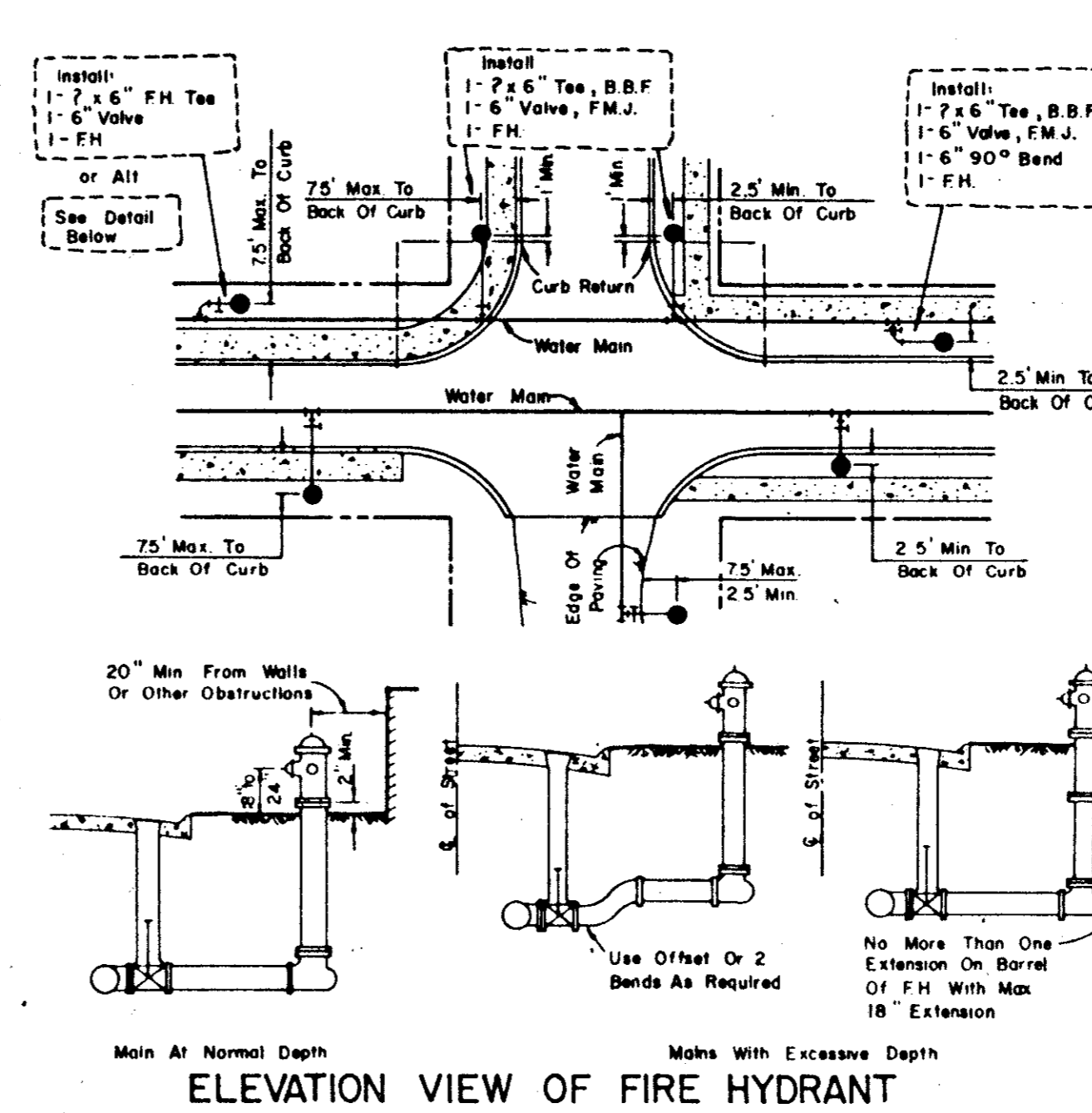


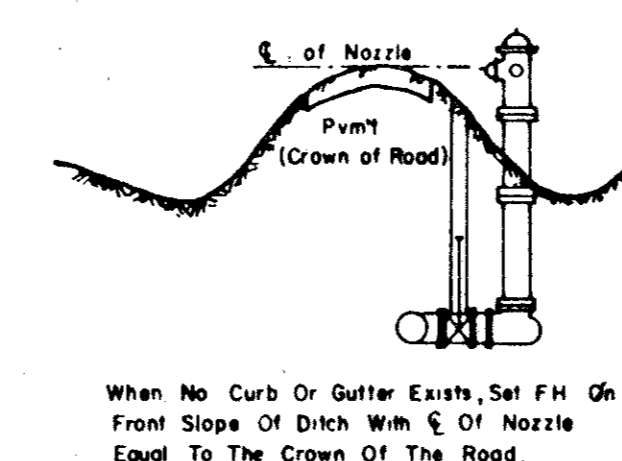
**GATE VALVES AND VALVE BOXES.**

- GATE VALVES SHALL BE IRON BODY, BRONZE OR BRASS MOUNTED, NON-RISING STEM, PARALLEL SEAT TYPE VALVES SHALL BE OF EQUAL OR GREATER PRESSURE CLASS THAN THE PIPING IN WHICH THEY ARE TO BE INSTALLED.
- VALVE BOXES SHALL BE CAST IRON AND SHALL BE OF SUFFICIENT LENGTH AND DIAMETER TO OPERATE ALL VALVES BURIED IN THE GROUND. COVERS SHALL BE MARKED "WATER." THE BOXES SHALL REST ON THE VALVE AND BE ADJUSTED SO THAT THE COVER MAY BE SET FLUSH WITH THE FINISHED GRADE.

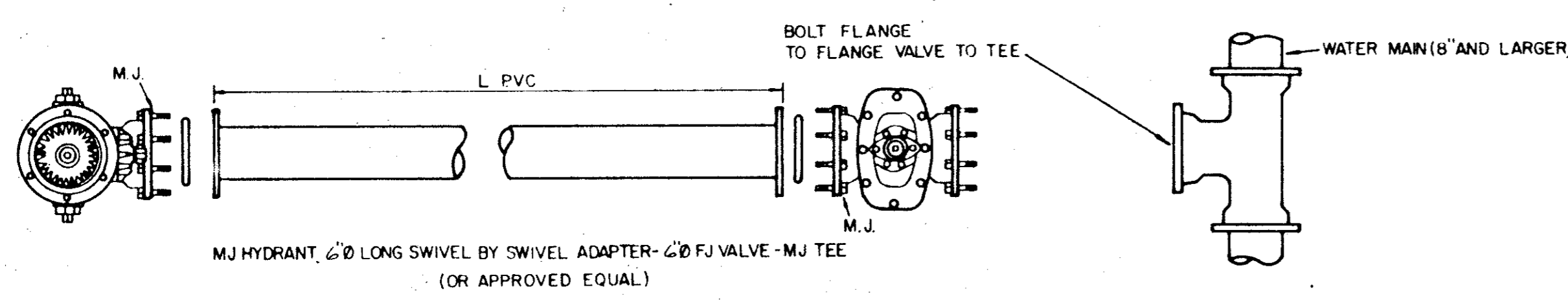
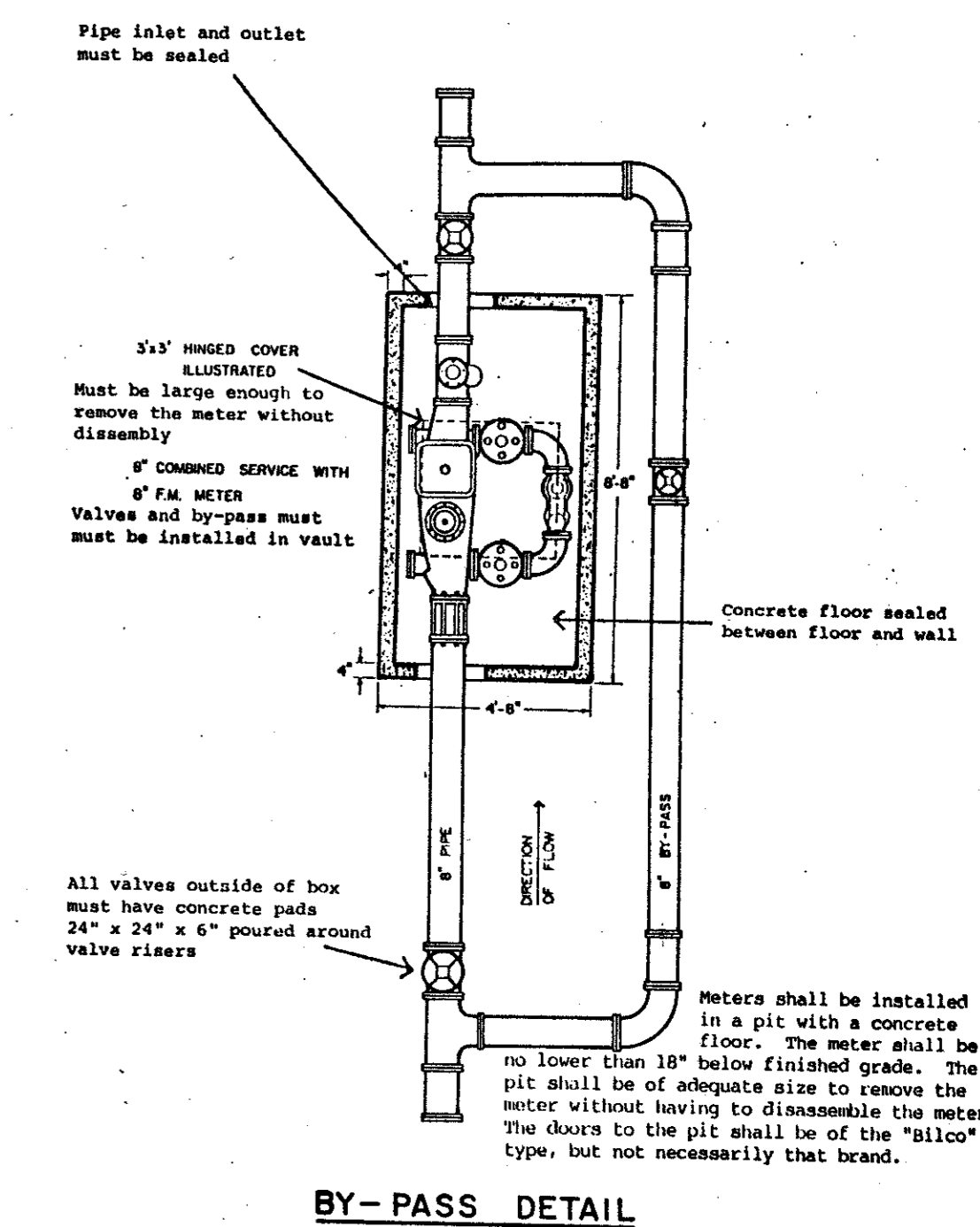


**GENERAL NOTES**

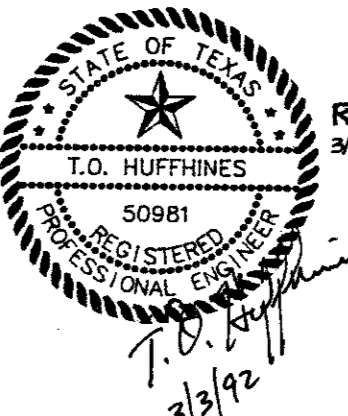
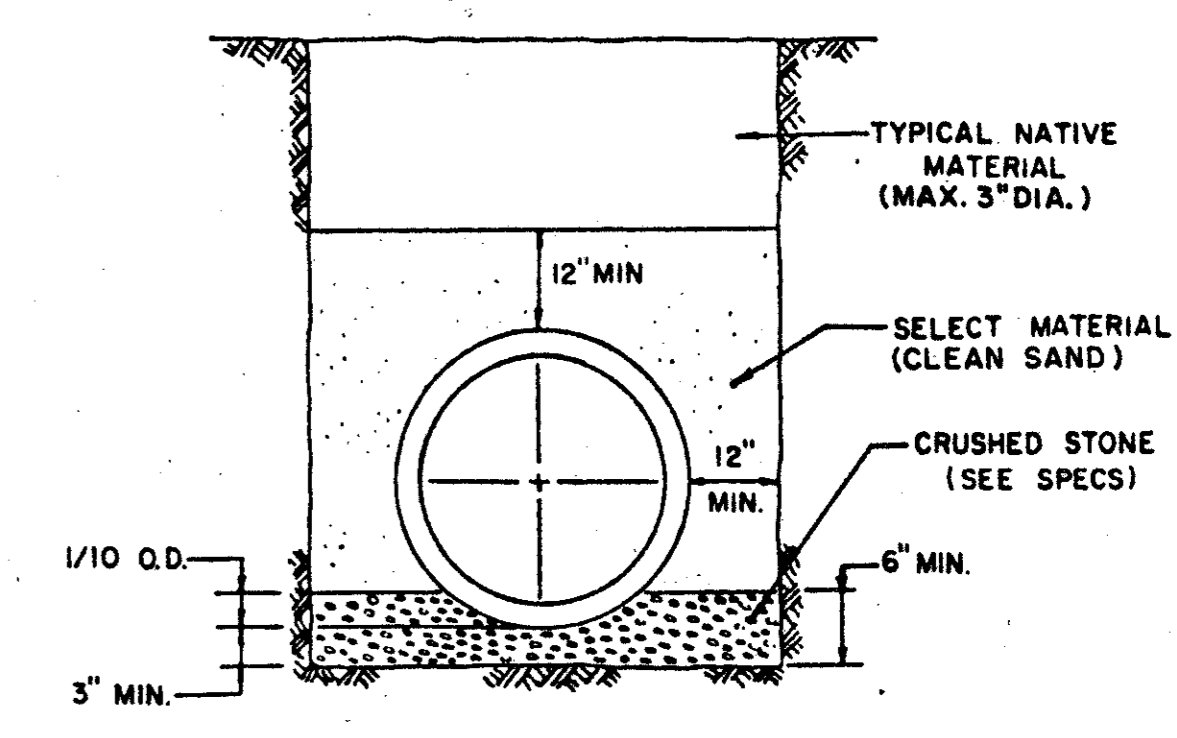
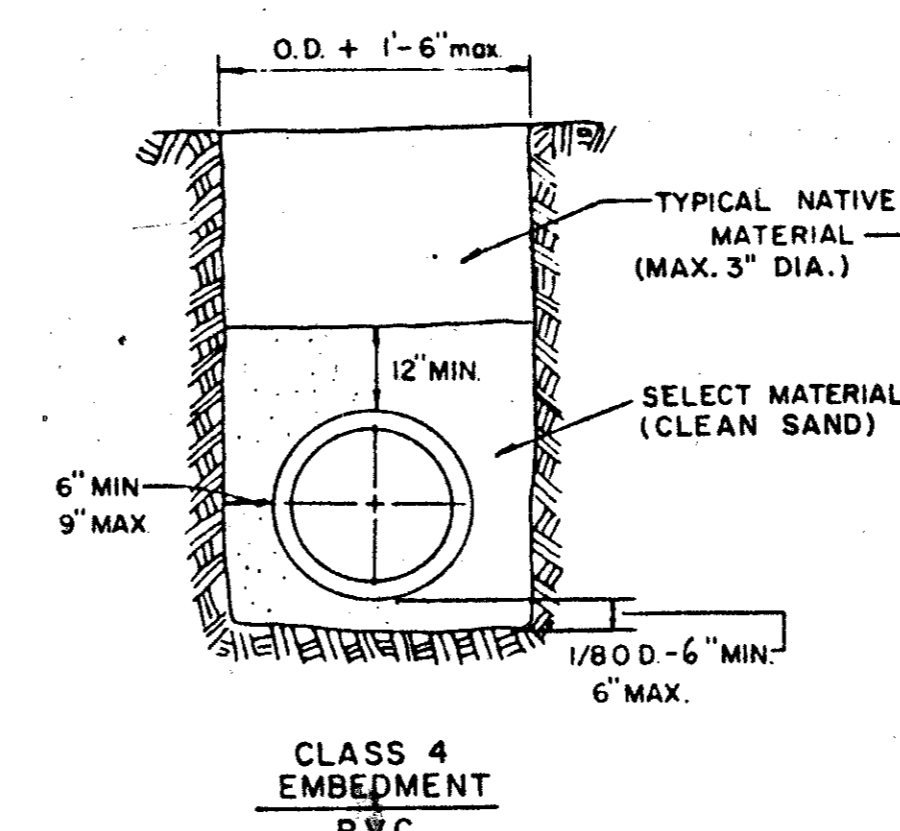
1. G. OF FH BARREL SHALL BE NOT LESS THAN 6.0' OR MORE THAN 9.0' FROM BACK OF CURB OR EDGE OF PAVEMENT.
2. DO NOT SET FH IN AN EXISTING OR PROPOSED SIDEWALK, UNLESS OTHERWISE NOTED.
3. ALL FH TEES SHALL BE M.J. WITH ANCHORING ON THE BRANCH WITH M.J. M.J. 6" VALVE.
4. SET FH ON THE LOT LINE EXTENDED WHEN POSSIBLE.
5. ON PRIVATE CONTRACTS, THE DEVELOPER'S ENGINEER WILL STATE LOCATION, B. GRADE.
6. NEVER PLACE FH WHERE FIRE TRUCK COULD NOT PARK BESIDE IT.



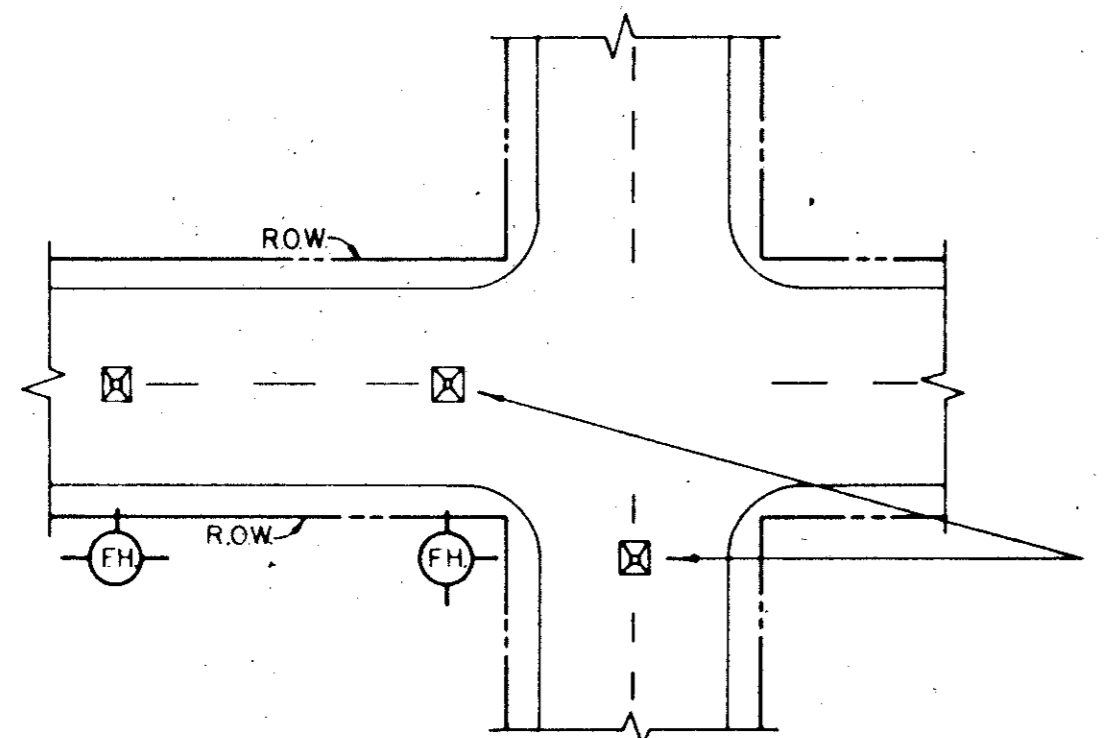
On an open system, a Hersey Detector meter MPH will be used. An open system is defined as a system with hose stations or facilities for fire hoses to be connected to the sprinkler system.



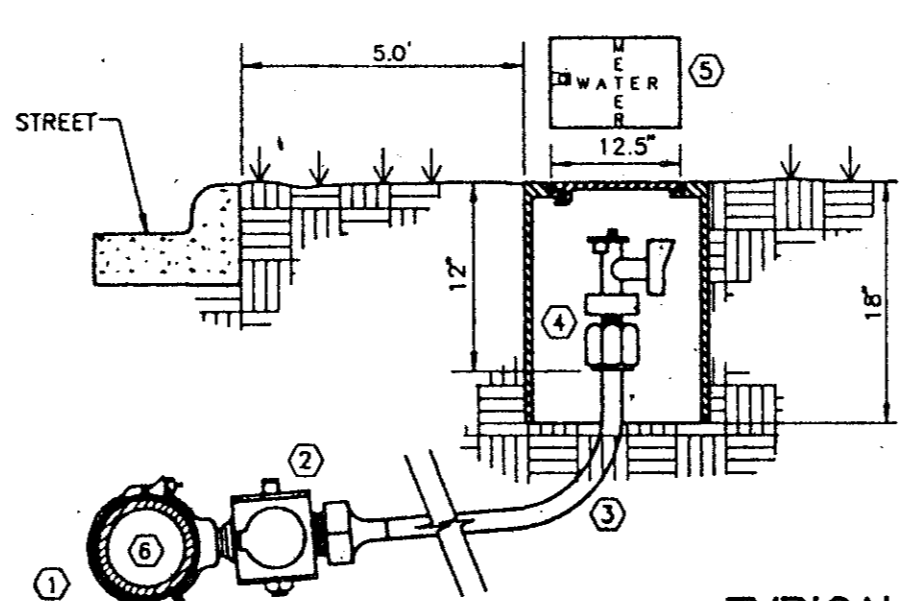
**TYPICAL FIRE HYDRANT INSTALLATION**



3/18/92 Rev MINIMUM Depth Below Pipe for select material on Embedment detail  
REVISIONS  
3/2/92 1. ADDED WATER MAIN & STORM DRAIN EMBEDMENT DETAILS



A BLUE STIMONITE FIRE-LITE REFLECTOR (OR APPROVED EQUAL) TO BE PLACED IN THE CENTER OF STREET OPPOSITE FIRE HYDRANTS. THE INSTALLATION OF THIS REFLECTOR SHALL BE AS PRESCRIBED BY THE MANUFACTURER.



1. DOUBLE STRAP BRONZE SADDLE W/CCW THREADS. MUELLER.
2. CORPORATION STOP W/CCW THREADS. MUELLER. H-1500B COMPRESSION OR H-15000 FLARED.
3. 3/4" TYPE "K" SOFT COPPER W/NO SPLICES
4. ANGLE STOP W/LOCK WING. MUELLER. H-1425B COMPRESSION OR H-1425S FLARED.
5. WATER METER BOX (RECTANGULAR SHAPE ONLY) CONCRETE OR METAL SHELL CONSTRUCTION
6. WATER MAIN PVC AWWA C300 SDR 14/18 INTEGRAL WALL BELL

**AS BUILT PLANS**

TOWN OF ADDISON, TEXAS DEPARTMENT OF ENGINEERING			
STANDARD CONSTRUCTION DETAILS WATER			
FIRE HYDRANTS, PULL BOXES AND VALVES			
Designed -	Drawn -	Date - AUGUST, 1991	Job No. -
Approved -	Checked -	Scale -	Sheet 14 of 24