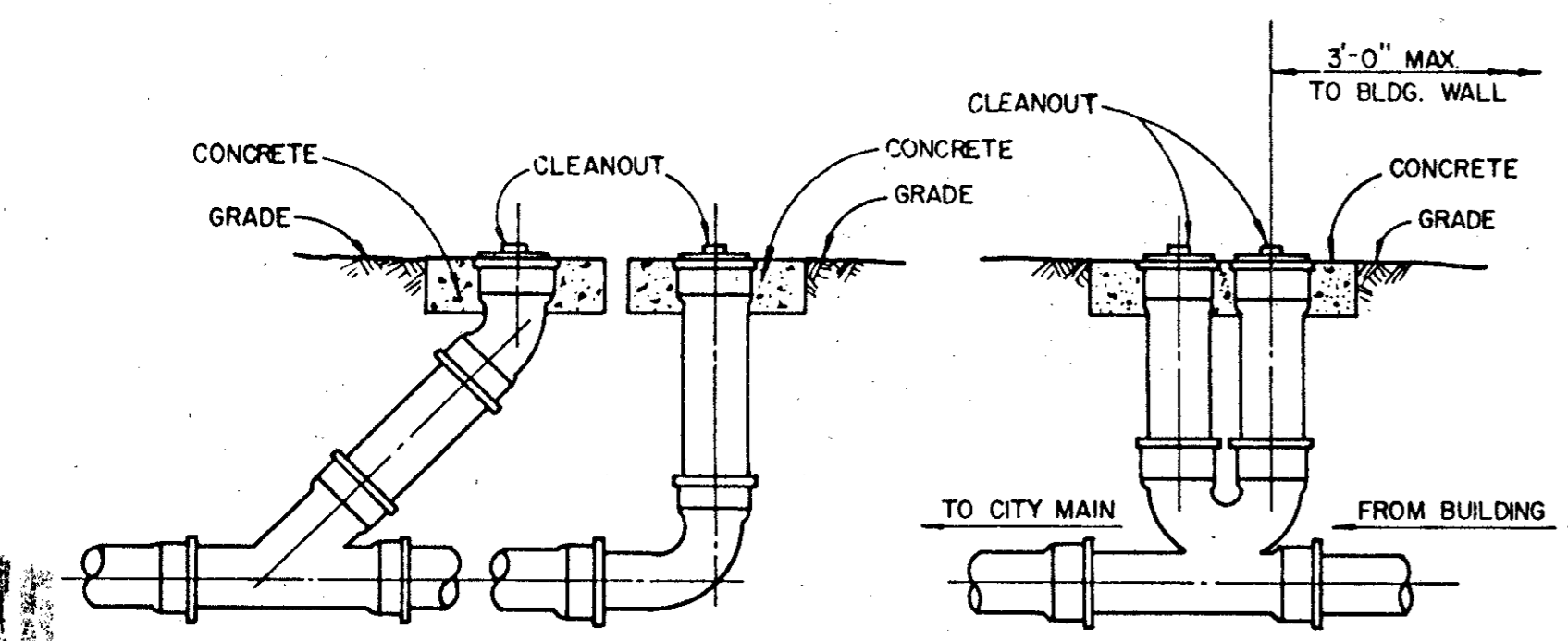
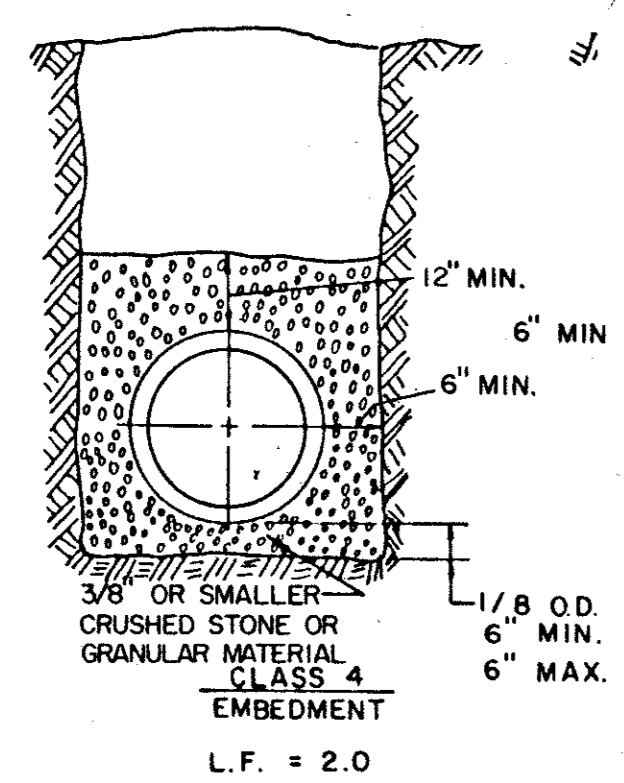


ALL PVC SANITARY SEWER PIPE TO BE SDR 35 WITH INTEGRAL BELL. IT SHALL BE THE RESPONSIBILITY OF THE CONTRACTOR TO FIELD LOCATE HORIZONTALLY EACH 4' SERVICE IN RELATION TO THE SANITARY SEWER STATIONING. FIELD TIES ARE TO BE INCLUDED AND RECORDED ON ALUMINIZED SANITARY SEWER TAPE. THIS TAPE, GREEN OR RED IN COLOR IS TO BE ATTACHED TO THE 4' SERVICE AT THE ROW LINE AND BROUGHT TO THE SURFACE TO BE USED AS A PERMANENT MARKER.



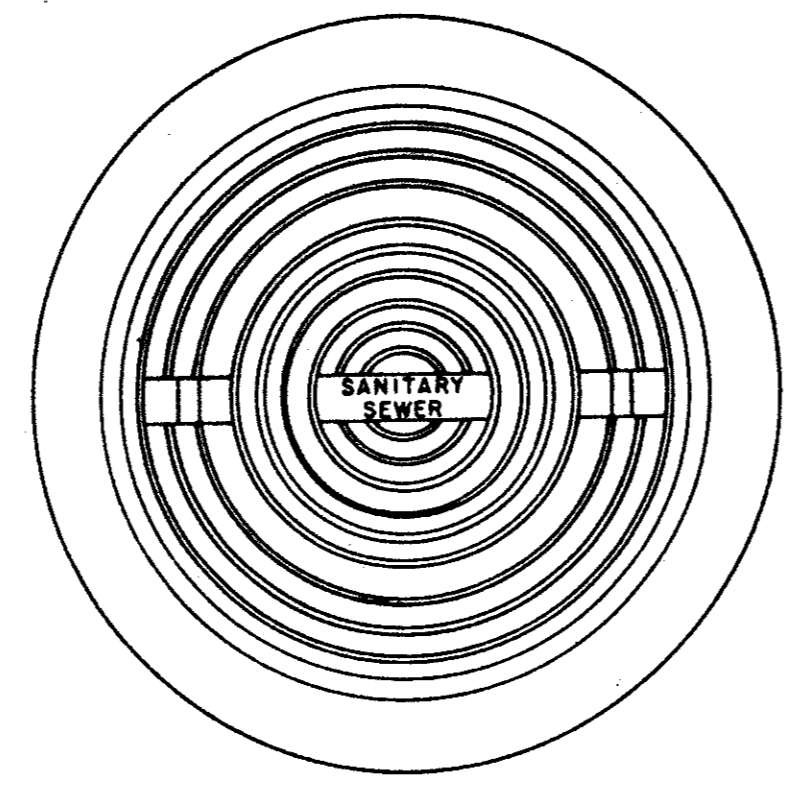
TYPICAL CLEANOUTS

TYPICAL NATIVE MATERIAL COMPACTED TO: 95% OPTIMUM MOISTURE 0 TO +3% UNDER PAVEMENT 95% OPTIMUM MOISTURE 0 TO +3% OUTSIDE CURB LINES JETTING IS NOT ALLOWED BACKFILL TO BE COMPACTED IN 6" LIFTS TYPICAL NATIVE MATERIAL (MAX. 3" DIA.)



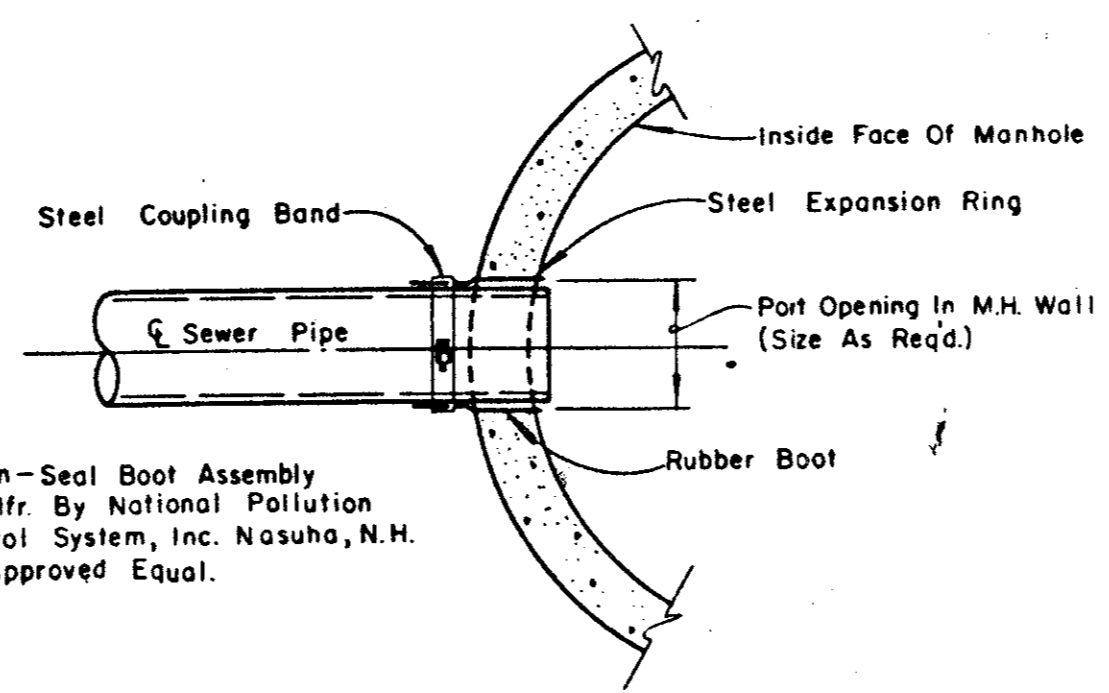
P.V.C. PIPE ONLY SDR 35 (GREEN PIPE)

EMBEDMENT DETAILS FOR SANITARY SEWER



APPROX WEIGHT RING AND COVER 385 LBS.

CAST IRON GRATE AND FRAME DETAIL



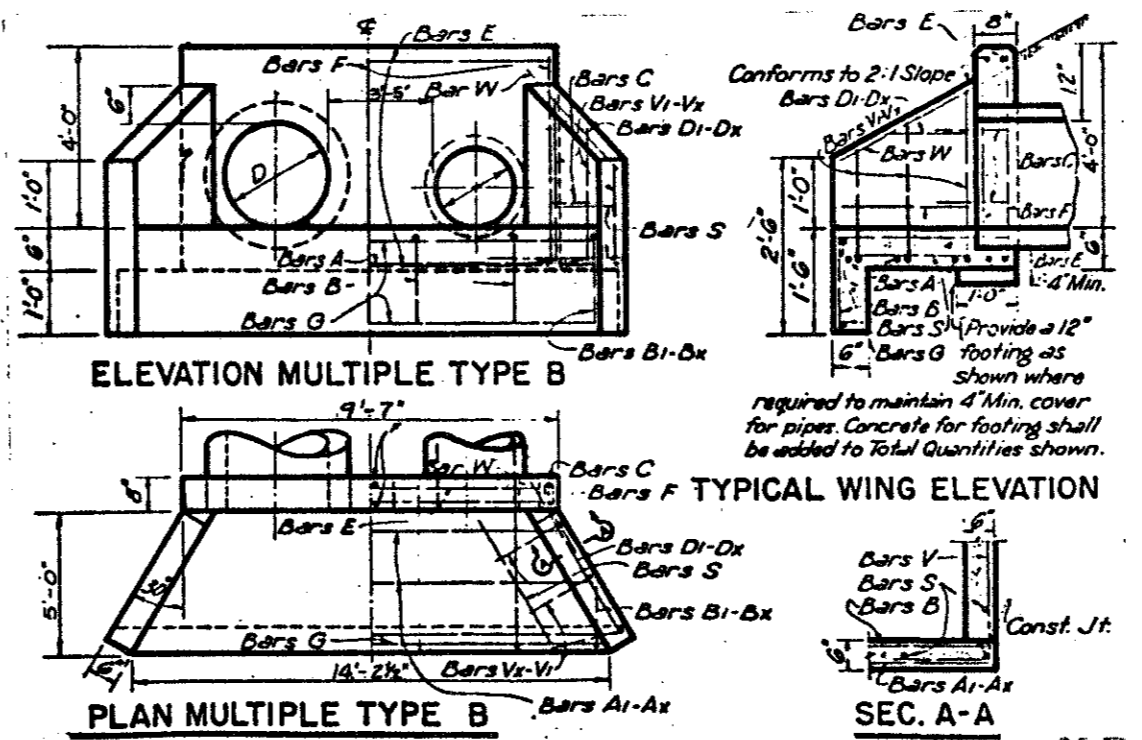
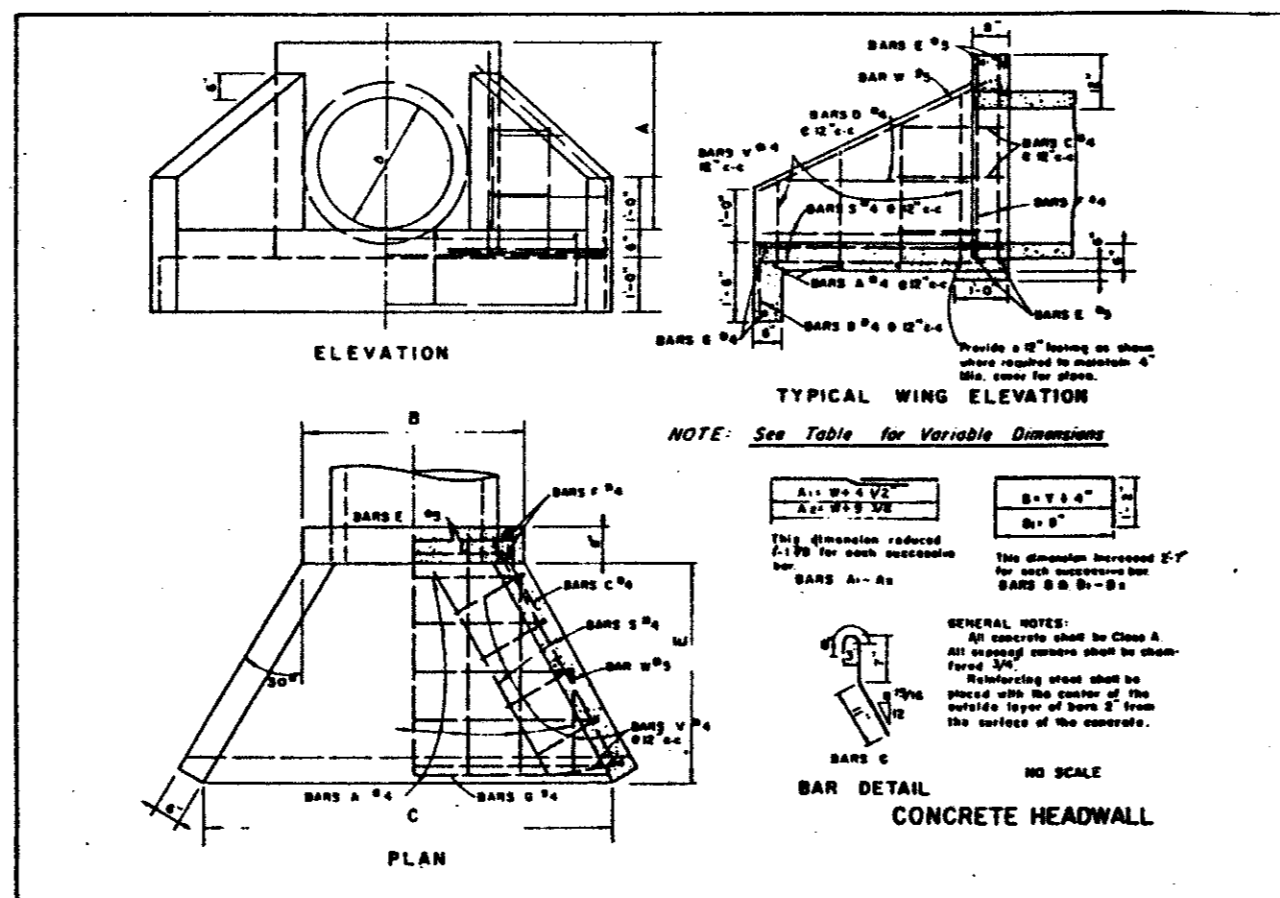
Kor-n-Seal Boot Assembly As Mfr. By National Pollution Control System, Inc. Nashua, N.H. Or Approved Equal.

NOTE: Contractor To Install Kor-n-Seal Boot Assembly Per Mfr Recommendations In A Neat And Workman-Like Manner.

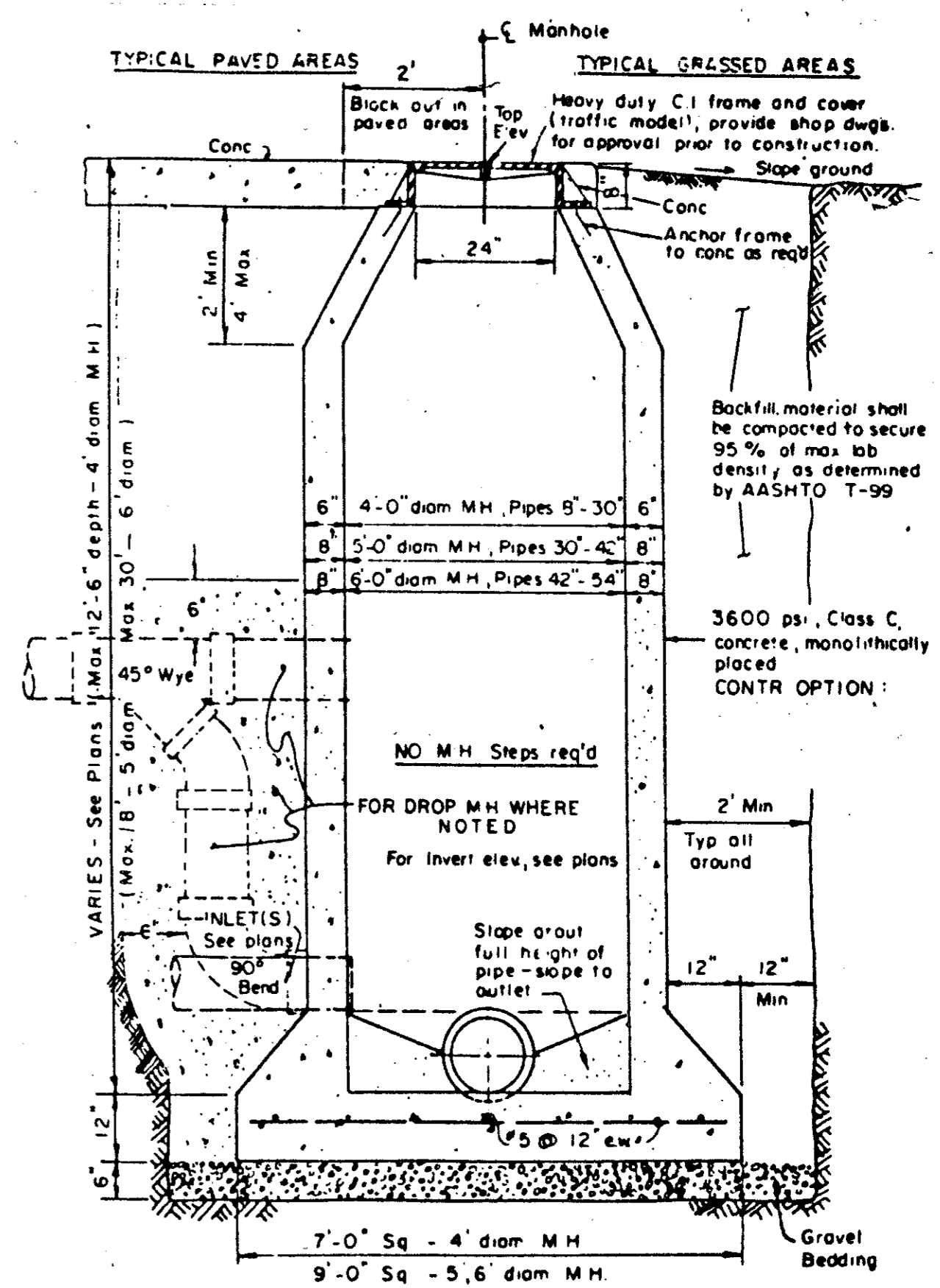
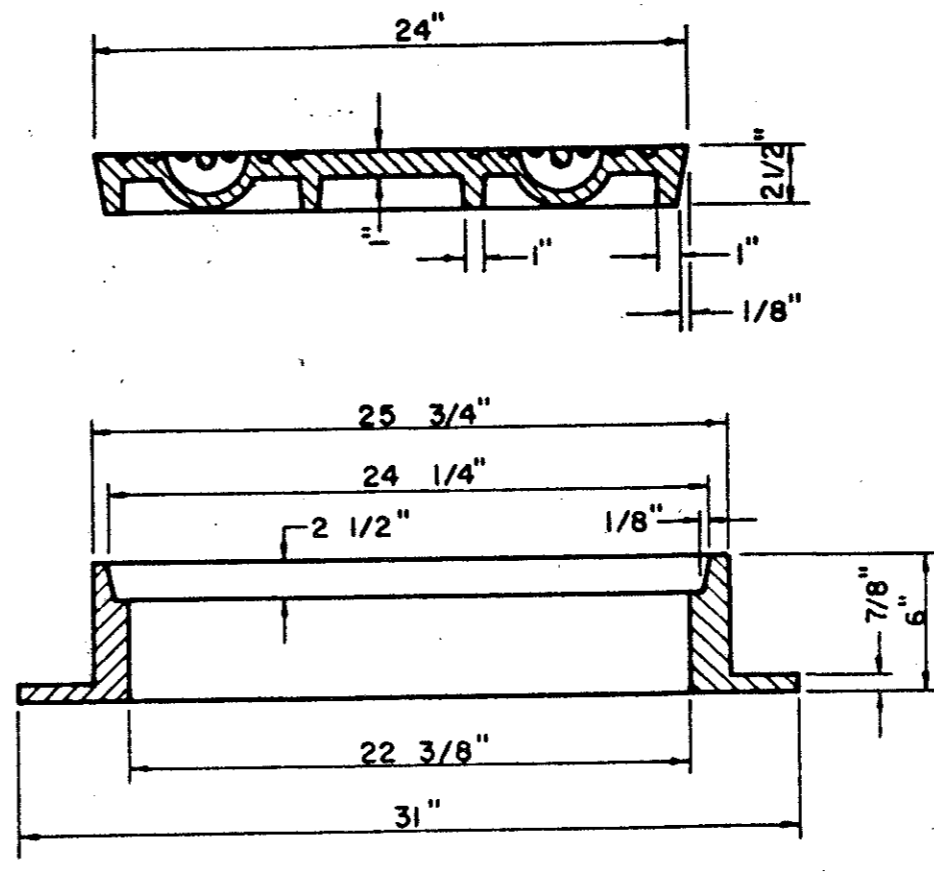
TYPICAL SEWER CONNECTION AT MANHOLE

TABLE of DIMENSIONS for CONCRETE HEADWALLS

HEADWALL SIZE	A	B	C	D	E
18"	2'-6"	2'-11"	4'-0 7/8"	18"	2'-0"
24"	3'-0"	3'-6"	5'-9 3/4"	24"	3'-0"
30"	3'-6"	4'-1"	7'-6 5/8"	30"	4'-0"
36"	4'-0"	4'-8"	9'-3 1/2"	36"	5'-0"
39"	4'-3"	5'-0"	10'-2"	39"	5'-6"
42"	4'-6"	5'-3"	11'-0 1/4"	42"	6'-0"
48"	5'-2"	6'-10"	12'-8 1/8"	48"	7'-0"
54"	5'-9"	7'-6"	14'-6"	54"	8'-0"
64"	6'-7"	7'-0"	16'-2 3/8"	64"	9'-0"
66"	6'-9"	7'-2"	17'-11 3/4"	66"	10'-0"
72"	7'-3"	8'-2"	19'-8 5/8"	72"	11'-0"



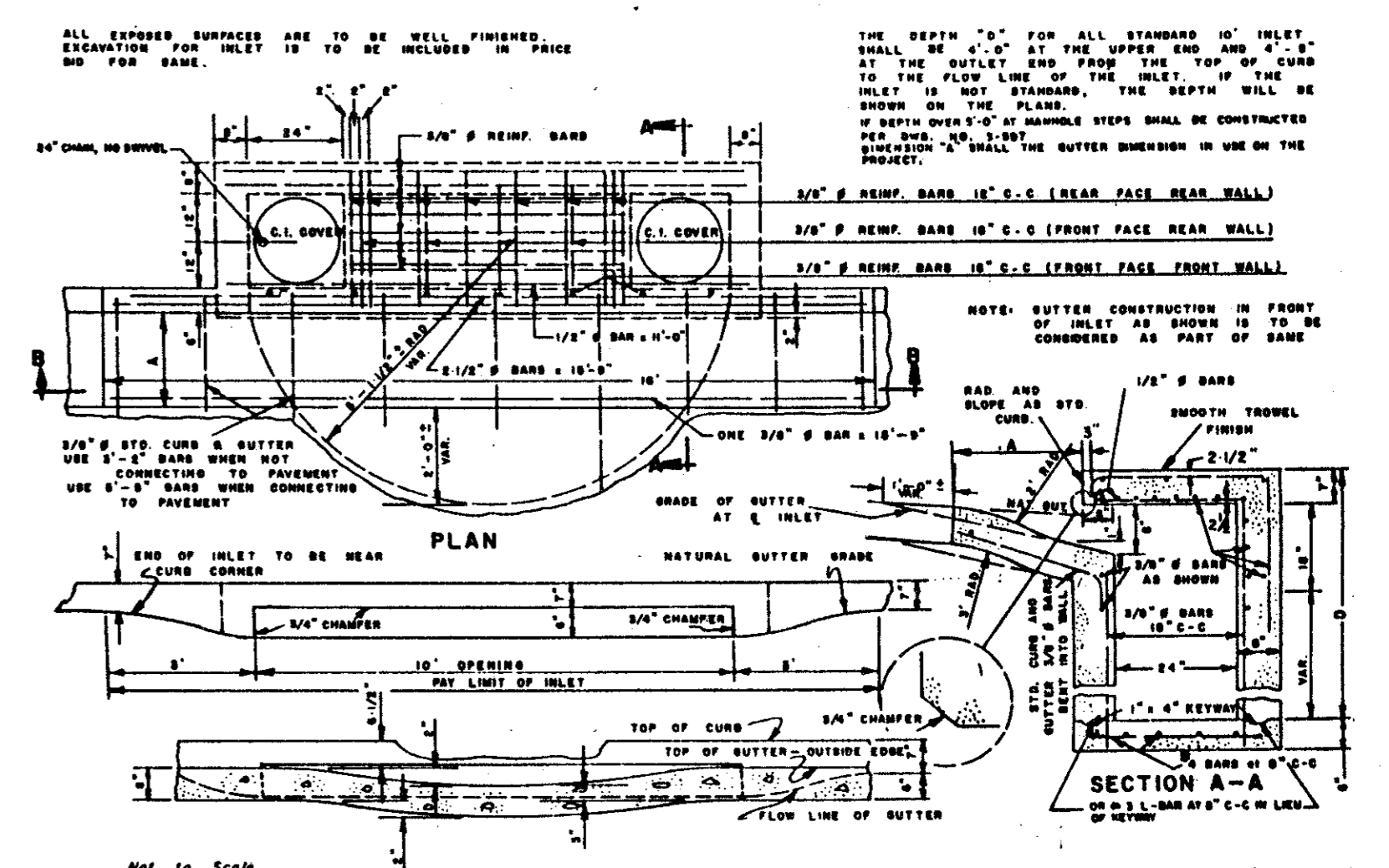
ELEVATION MULTIPLE TYPE B
PLAN MULTIPLE TYPE B



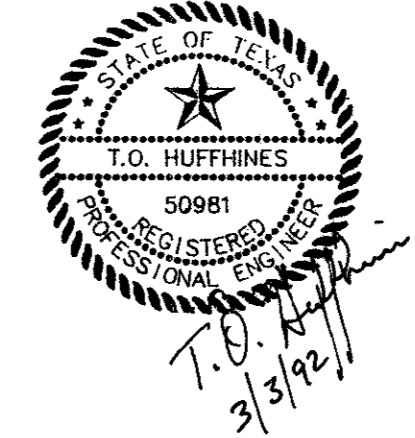
CAST IN PLACE MANHOLE

WHERE DROP M.H. IS REQUIRED, USE INSIDE DROP CONNECTION AS PER TOWN OF ADDISON STANDARDS.

CLASS B Conc. - 2000psi at 28 days (Compressive)



* ALL PUBLIC CURB INLETS SHALL BE POURED IN PLACE 3000 PSI CONC.
* PRECAST CURB INLETS MAY BE USED. BROOKS PRODUCTS 24-50-C1 OR 36-100-C1 OR APPROVED EQUAL. FOR ON-SITE REVISIONS 3/2/92 ADDED NOTE: PUBLIC INLETS SHALL BE POURED IN PLACE



"AS BUILT PLAN"

TOWN OF ADDISON, TEXAS
DEPARTMENT OF ENGINEERING
STANDARD CONSTRUCTION DETAILS

Designed - _____ Drawn - _____ Date - AUGUST, 1991 Job No. - _____
Approved - _____ Checked - _____ Scale - _____ Sheet 15 of 24