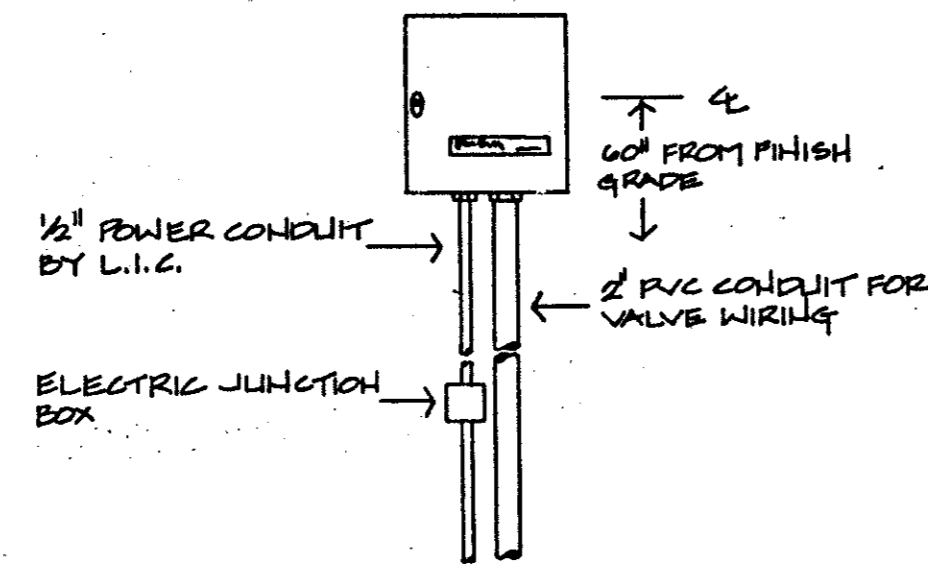
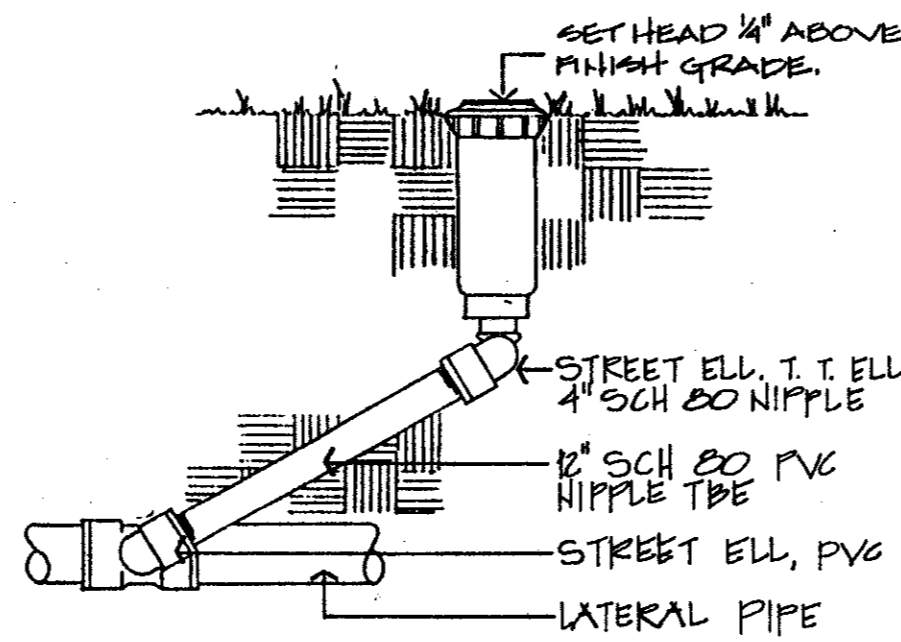


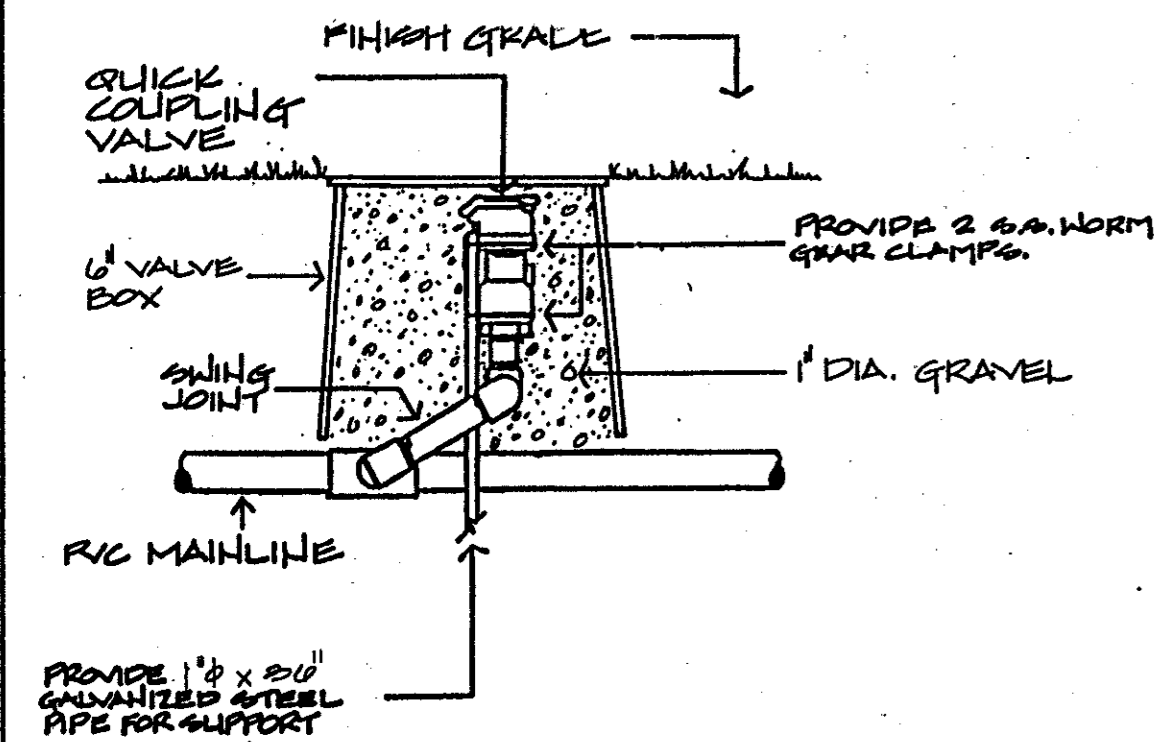
GATE VALVE-4" AND LARGER
KENNEDY #597x



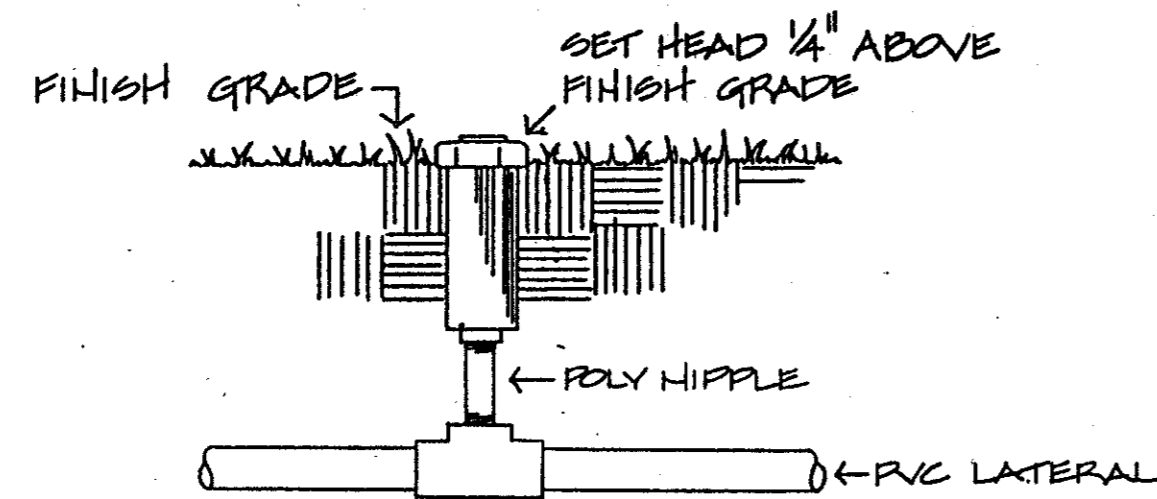
CONTROLLER
RM-22



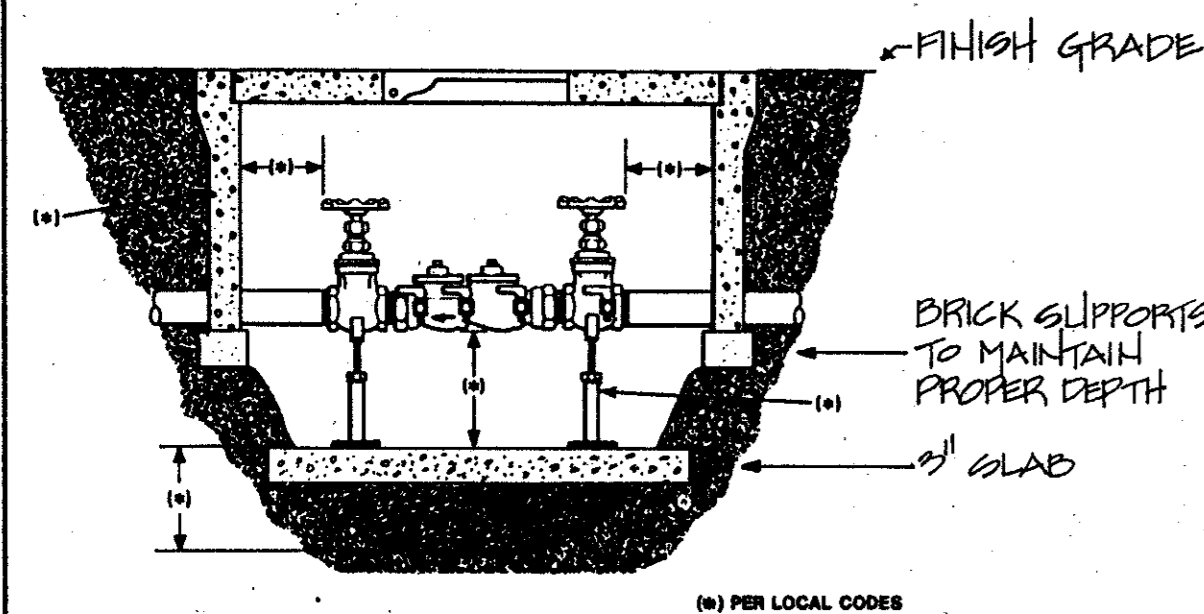
ROTARY HEAD
PGP



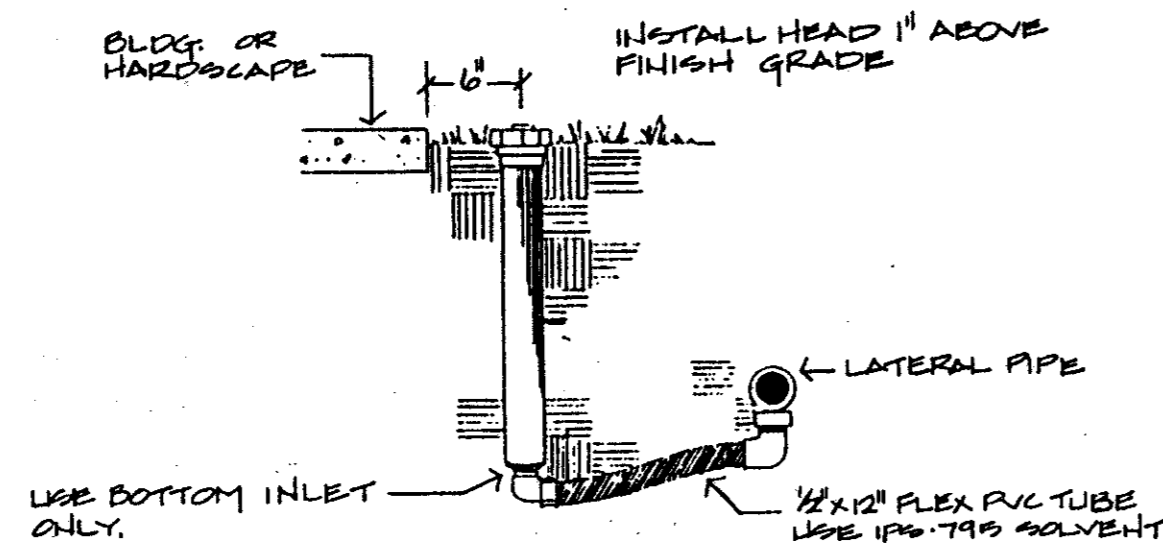
QUICK COUPLING VALVE
#V075R



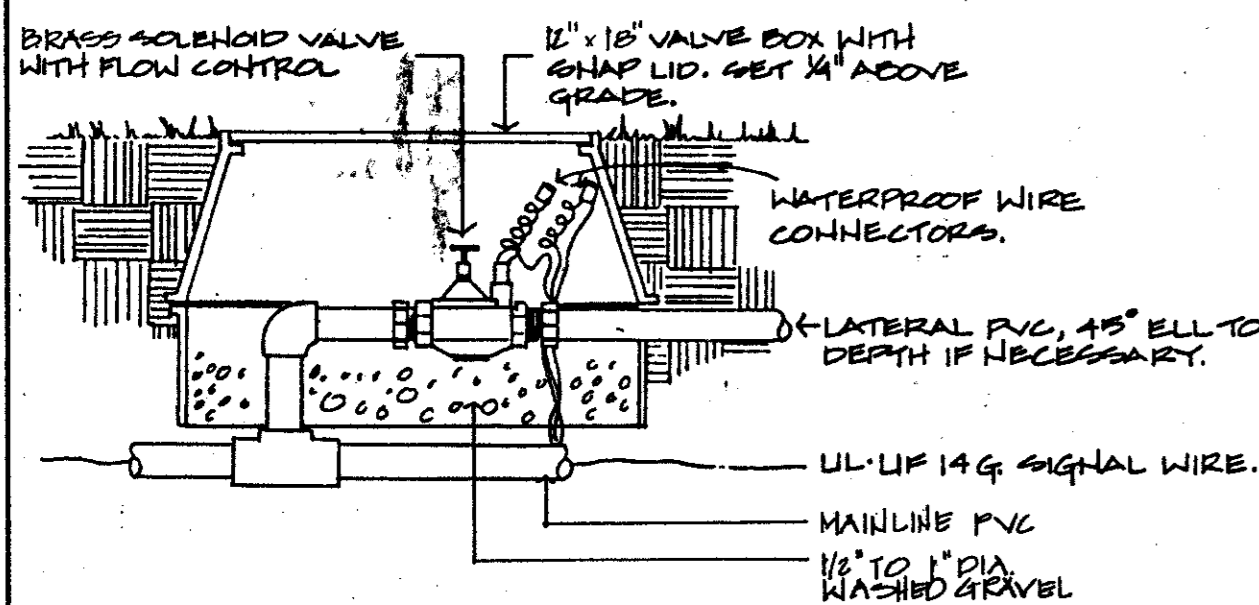
LAWN SPRAY HEAD
#35P-400



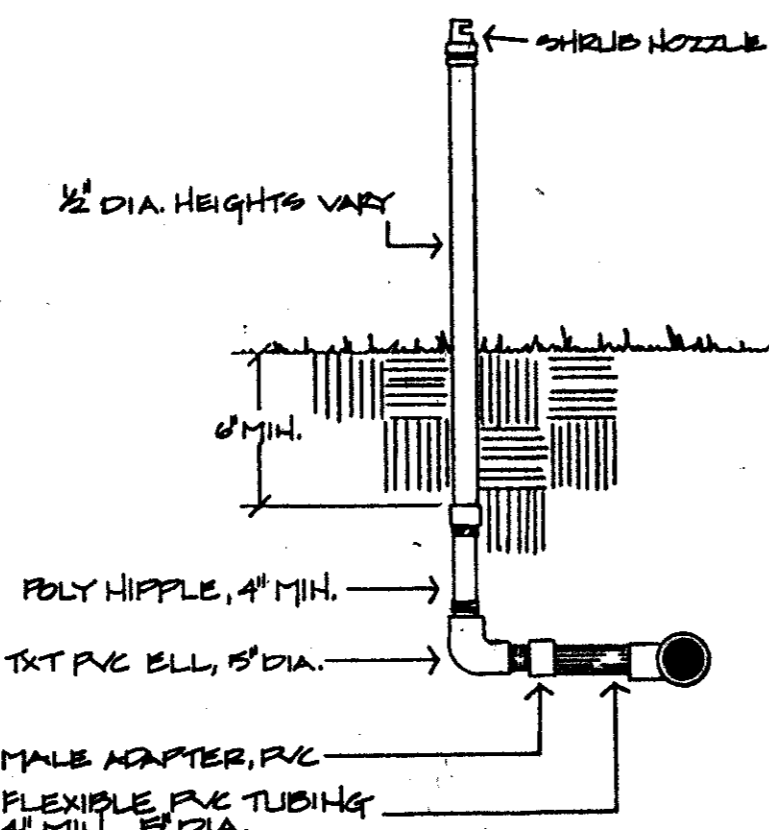
DOUBLE CHECK ASSEMBLY
#805Y



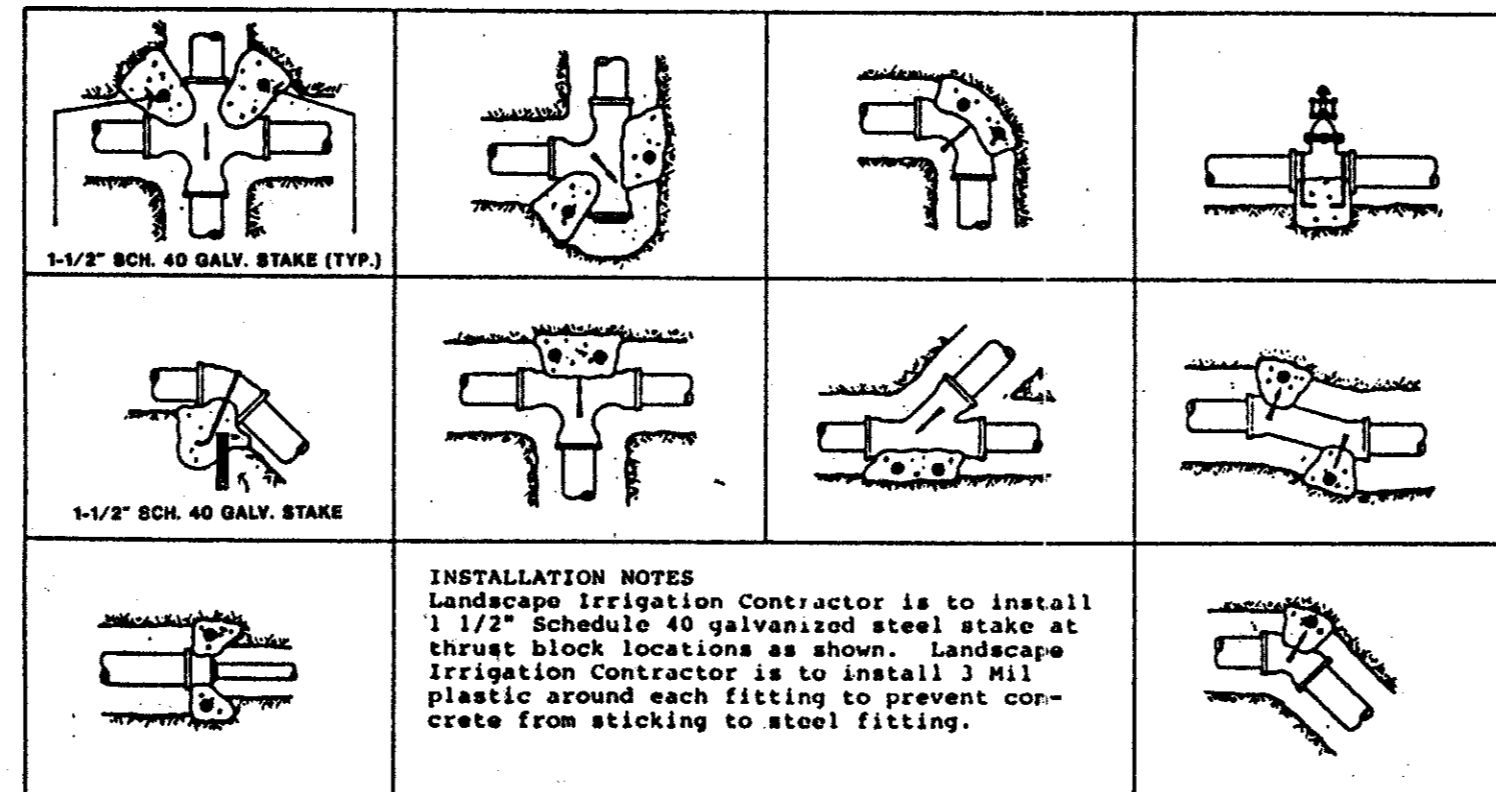
HIGH-POP SHRUB HEAD
#37P-400



REMOTE CONTROL VALVE
#8024BCR



SHRUB HEAD
#92-100

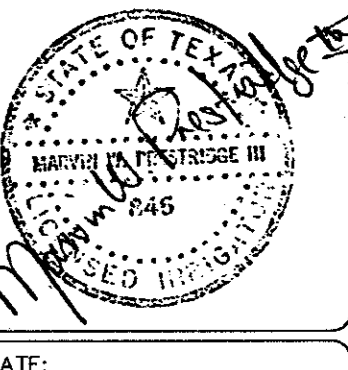


THRUST BLOCKS FOR RING-TITE PIPE

NOTES:

- All Sprinkler equipment numbers reference the Weather-Matic equipment catalog unless otherwise indicated.
- LAWN SPRAY HEADS shall be #35P installed per detail shown. Lawn spray nozzles are 420F, or 420H, or 420Q unless otherwise indicated on plans.
- HIGH-POP SPRAY HEADS shall be #37P installed per detail shown. Nozzles are 420F, 420H or 420Q unless otherwise indicated on plans.
- SHRUB SPRAY HEADS shall be installed per detail shown. Nozzles are 120H, (420F with #95P adapter), 120H, or 120Q unless otherwise indicated on plans.
- ROTARY HEADS shall be Hunter PGP with #5 nozzle for part-circle and #8 nozzle for full-circle install per detail shown on swing joint risers. Swing joints shall be constructed using 3/4" Schedule 80 PVC threaded nipples and 3/4" Schedule 40 PVC threaded elbows.
- REMOTE CONTROL VALVES shall be #8024BCR installed per detail shown. Size valves as shown on plans. Valves shall be installed in valve boxes large enough to permit manual operation, removal of solenoid or valve cover without any earth excavation.
- QUICK COUPLING VALVES shall be V075R installed per detail shown. Swing joints shall be constructed using 3/4" Schedule 80 PVC threaded nipples and 3/4" Schedule 40 PVC threaded elbows. Supply Owner with three (3) C075 couplers and three (3) #10 swivel hose ends as part of this contract.
- AUTOMATIC CONTROLLER shall be RM-22 installed per detail shown. Install with a Rain-Stat #950 and Penn Temperature Sensor #A19ANC-1. Power (120V) shall be located in a junction box within five (5) feet of controller location by others.
- All 24-volt valve wiring is to be UF 14 signal conductor. All wire splices are to be permanent and waterproof.
- SLEEVES shall be installed by others. Sleeve material shall be Class 200 PVC, sized as shown on plans.
- Ten days prior to start of construction, verify static pressure. If static pressure is less than 60.0 PSI or more than 70.0 PSI, do not start work until notified to proceed by Owner. Design pressure is 57.5 PSI.
- All main line and lateral piping shall have a minimum of 12 inches of cover. All piping under paving shall have a minimum of 18 inches of cover.
- Coordinate installation of the system with the landscape contractor to insure all plant material will be watered in accordance with the intent of the plans and specifications.

NO.	DATE	REVISION DESCRIPTION



DATE: _____

IRRIGATION DETAILS

WAL-MART
BELTLINE + MIDWAY
ADDISON, TEXAS

SAM'S CLUB

SHEET TITLE: _____
PROJECT TITLE: _____

DUNAWAY ASSOCIATES, Inc.
ENGINEERS - PLANNERS - SURVEYORS
1501 W. MARSHALL CIRCLE, SUITE 100
MCKINNEY, TEXAS 75069
PHONE (972) 566-1151 FAX (972) 566-1157

JOB No.	9102800
DESIGNED BY:	
CHECKED BY:	T.O.H.
DATE:	JAN. 10, 1992
SCALE:	1" = 50'-0"
SHEET	8 OF 24 SHEETS