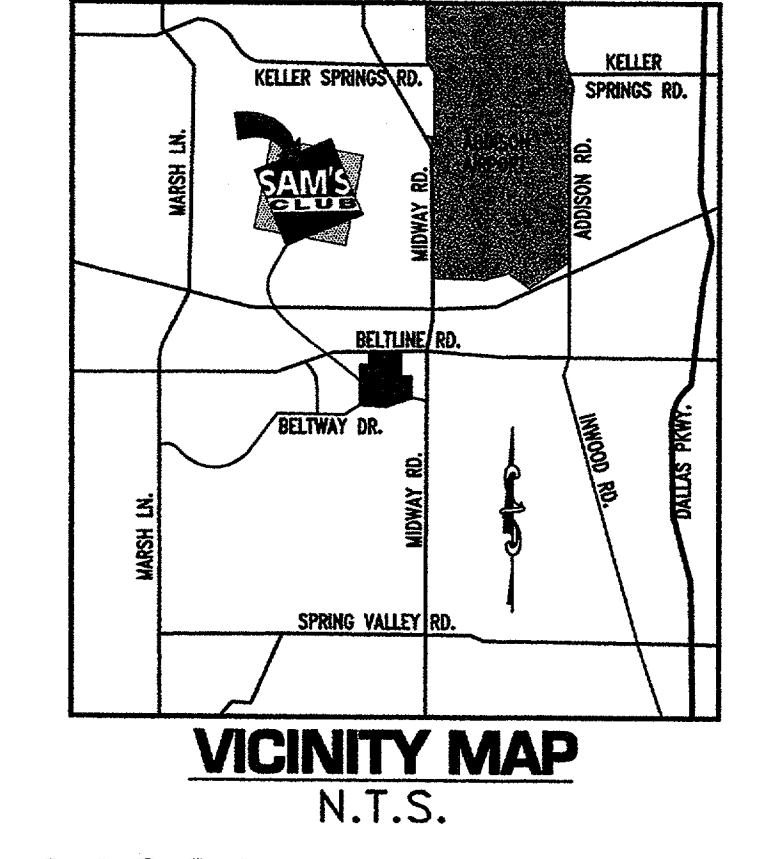
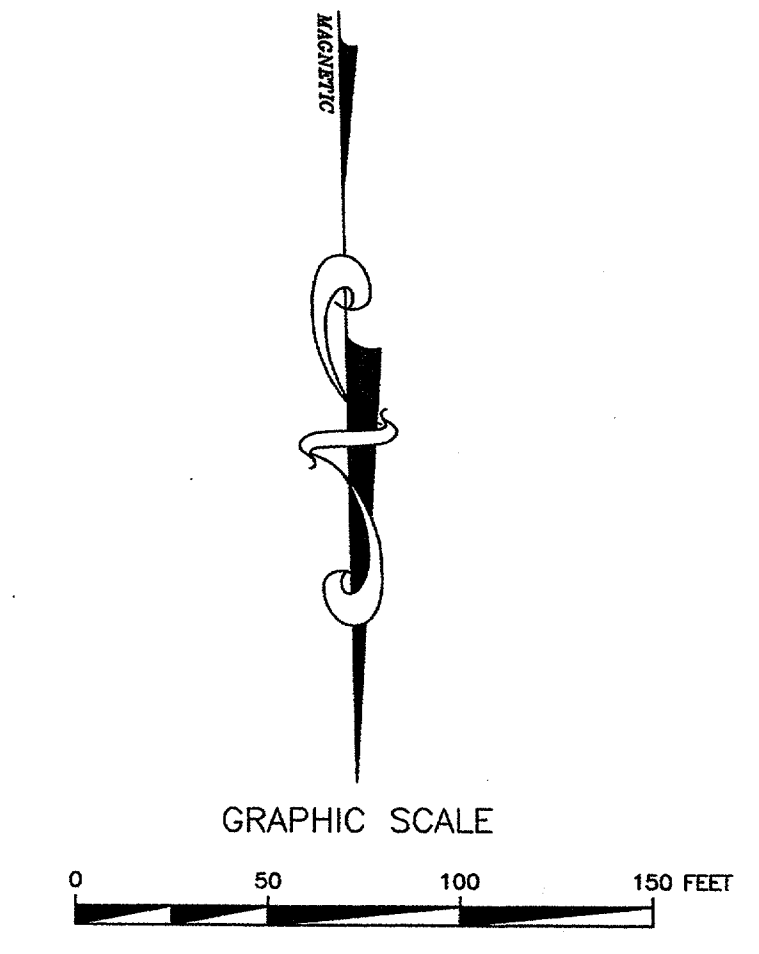
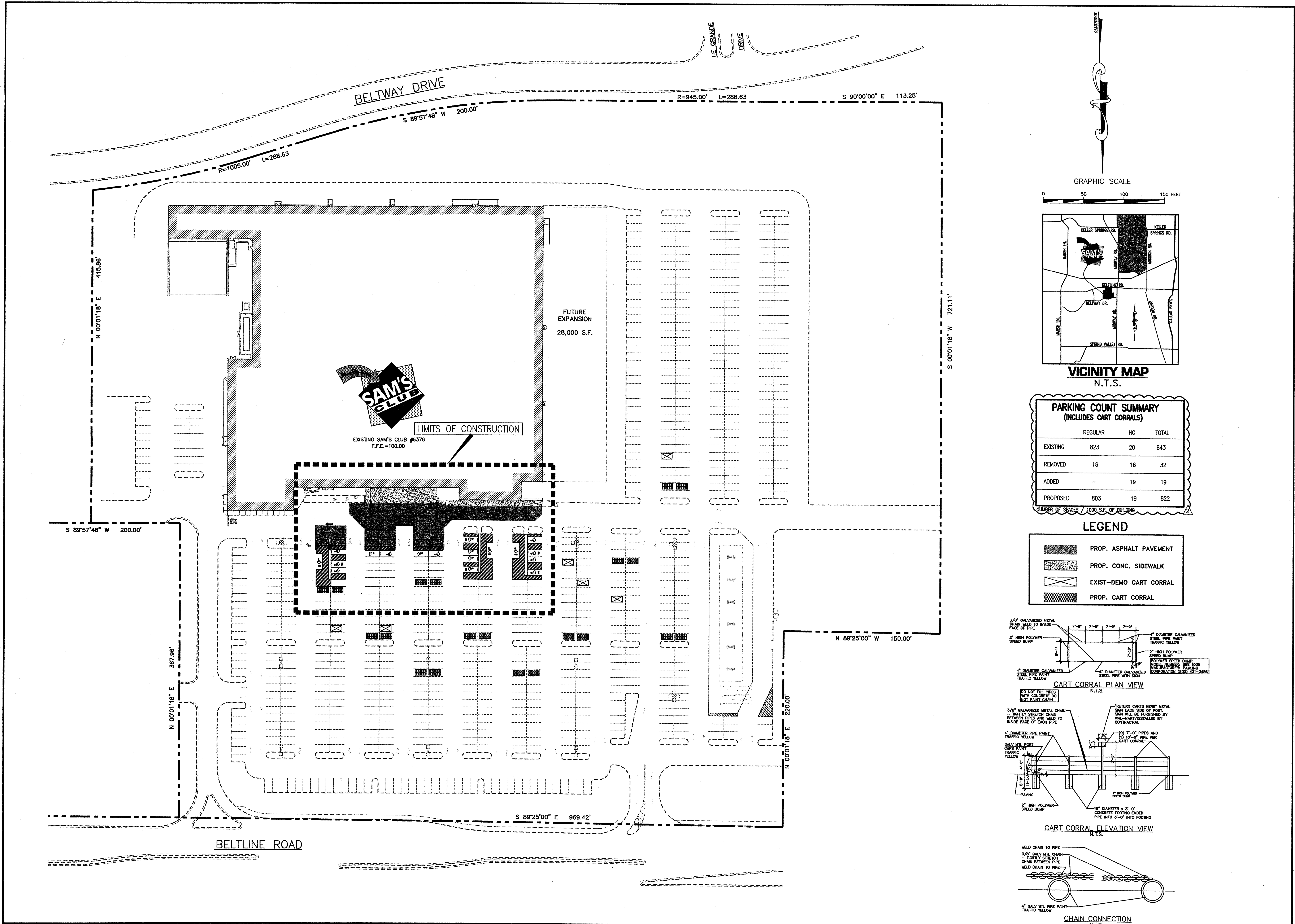


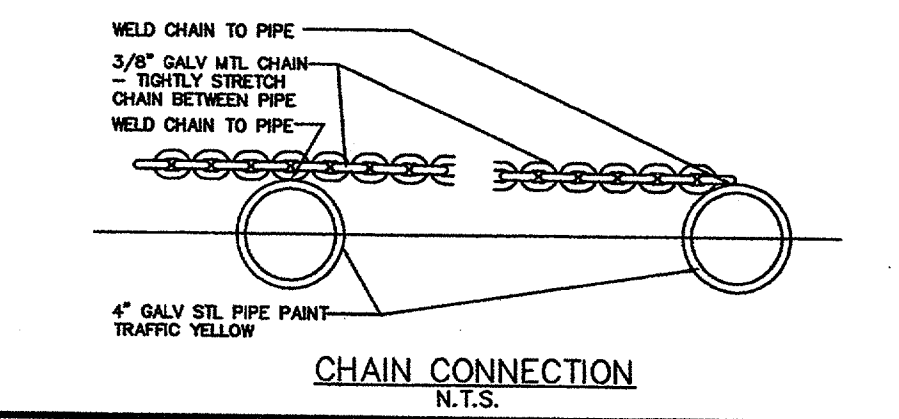
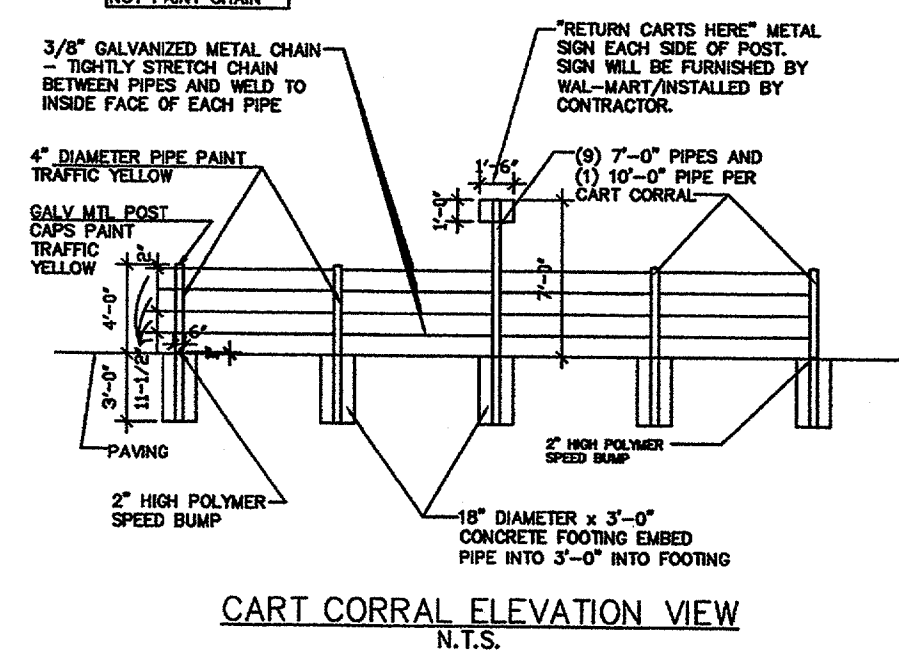
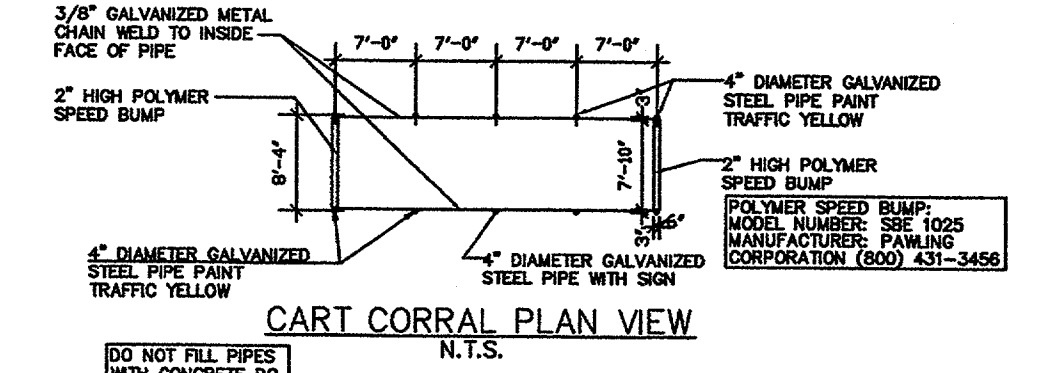
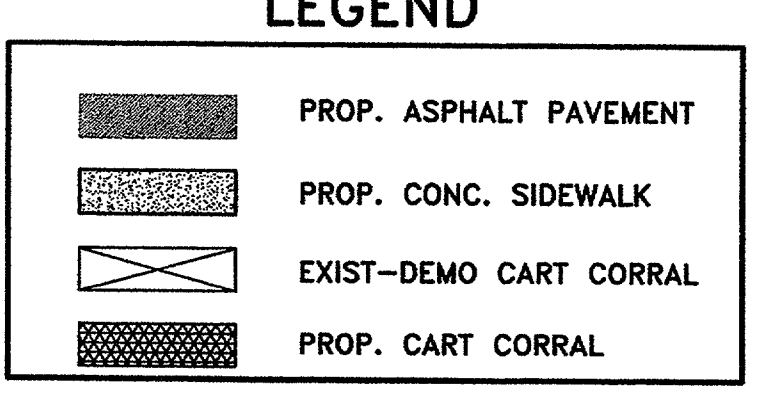
Nov 09, 2004 - 4:51pm - USER cfrizary  
 \\H09000\project\_data\PROJECTS\2004\2004.207\_Raymond\_Harris - WMSC Remodel - Addison\01 OVERALL SITE PLAN.dwg



**PARKING COUNT SUMMARY**  
(INCLUDES CART CORRALS)

	REGULAR	HC	TOTAL
EXISTING	823	20	843
REMOVED	16	16	32
ADDED	-	19	19
PROPOSED	803	19	822

NUMBER OF SPACES / 1000 S.F. OF BUILDING



**ADAMS CONSULTING ENGINEERS, INC.**  
 CIVIL/MECHANICAL ENGINEERS  
 500 Main Drive, Suite 200 • Dallas, Texas 75208  
 Phone: (972) 282-8800 • Fax: (972) 282-7671

**STIPULATION FOR REUSE**  
 THIS DRAWING WAS PREPARED FOR USE ON A SPECIFIC SITE AT A SPECIFIC ADDRESS. IT IS THE PROPERTY OF ADAMS CONSULTING ENGINEERS, INC. AND IT IS NOT TO BE REPRODUCED OR TRANSMITTED IN ANY FORM OR BY ANY MEANS, ELECTRONIC OR MECHANICAL, INCLUDING PHOTOCOPYING, RECORDING, OR BY ANY INFORMATION STORAGE AND RETRIEVAL SYSTEM, WITHOUT THE WRITTEN PERMISSION OF ADAMS CONSULTING ENGINEERS, INC. ANY REUSE OF THIS DRAWING FOR ANY OTHER PROJECT IS STRICTLY PROHIBITED AND WILL BE CONSIDERED A VIOLATION OF THE PROFESSIONAL ENGINEERING ACT.

**REMODEL ADDISON, TEXAS CLUB #6376**  
 JOB NUMBER: 2004-207

**ISSUE BLOCK**

NO.	DESCRIPTION	DATE
1	OTP	10/18/04
2	ADA	11/08/04

CHECKED BY: BS  
 DRAWN BY: CAI  
 DOCUMENT DATE: 10/18/04

SEAL  
 STATE OF TEXAS  
**TED A. MURDAY**  
 91918  
 REGISTERED PROFESSIONAL ENGINEER  
 11-9-04

OVERALL SITE PLAN

C.4