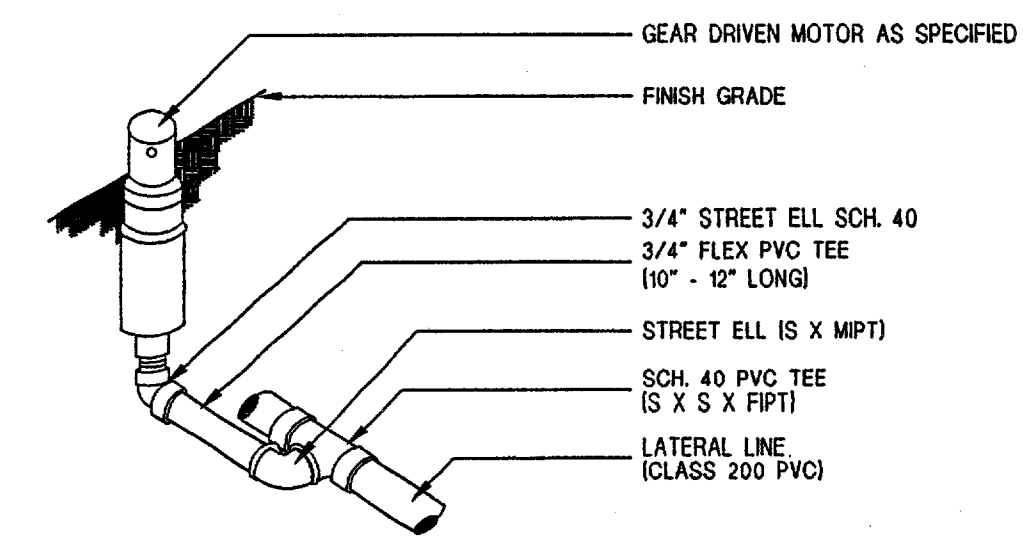
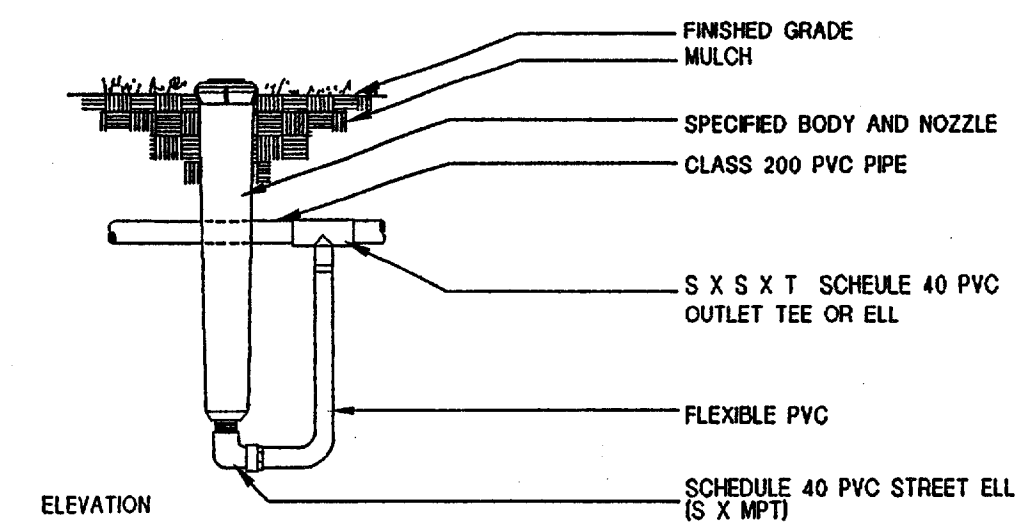


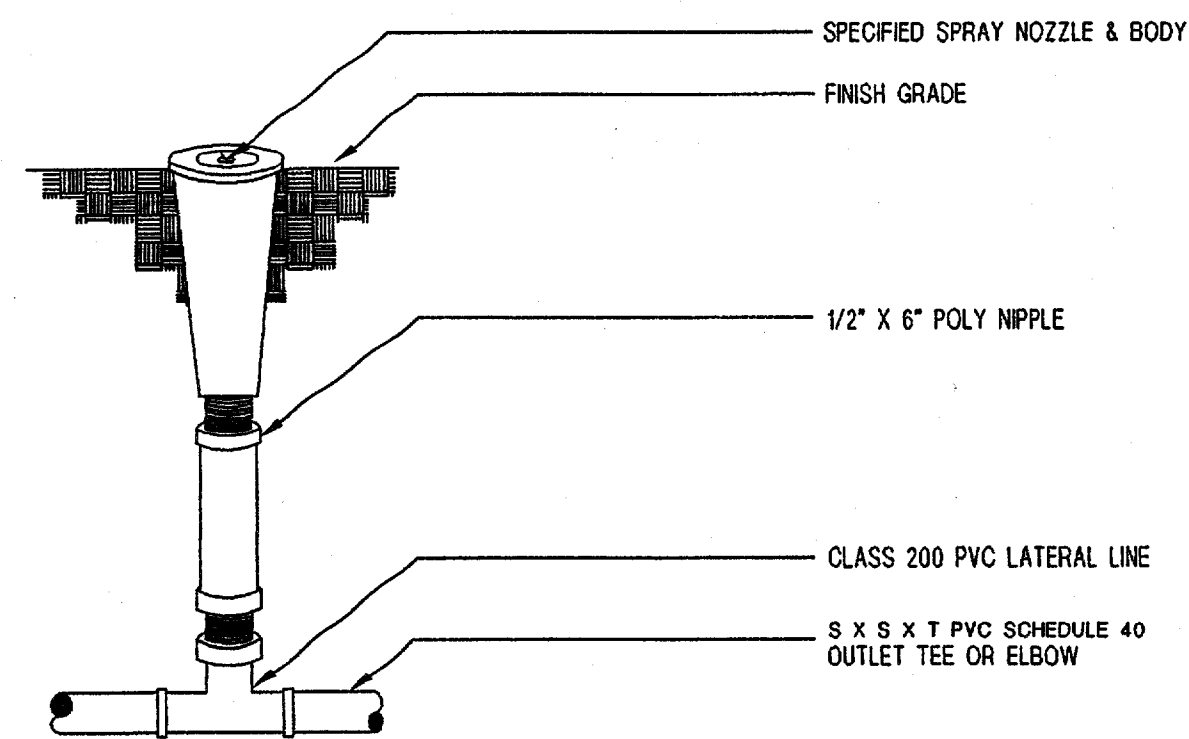
BACKFLOW PREVENTER
DOUBLE CHECK VALVE ASSEMBLY
not to scale



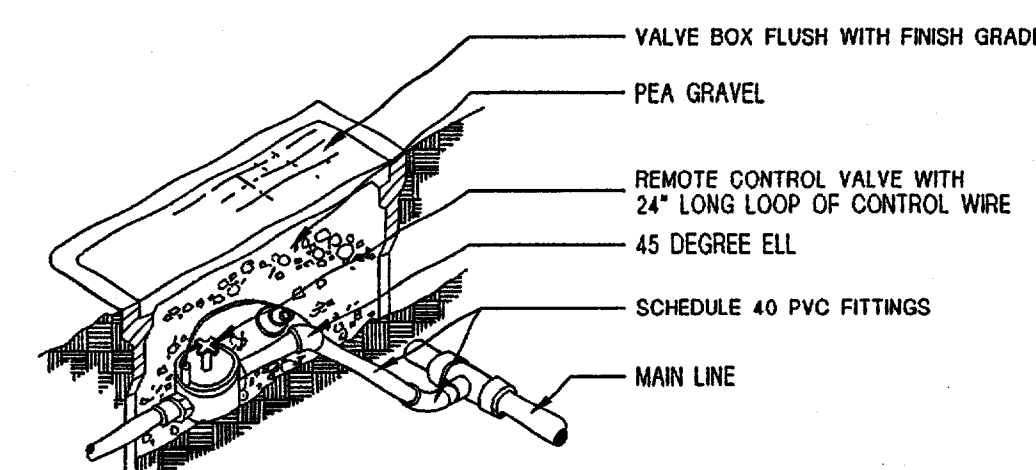
GEAR DRIVEN ROTARY
ROTARY HEAD
not to scale



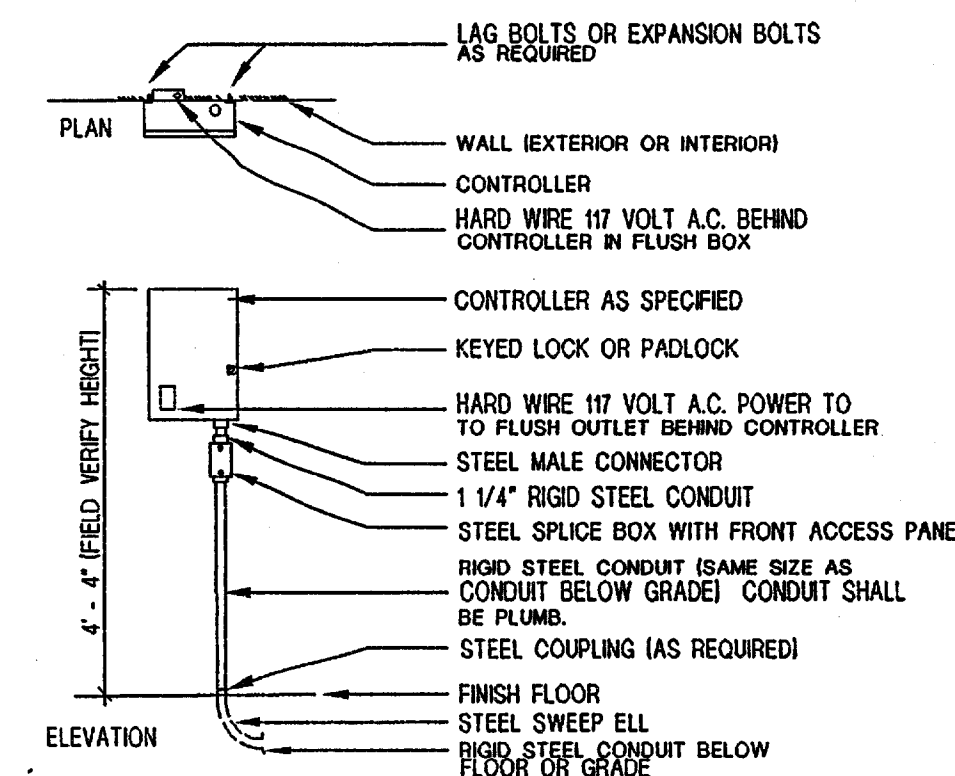
HIGH RISER ASSEMBLY
12" POP-UP
not to scale



POP - UP RISER ASSEMBLY
4" POP-UP
not to scale



REMOTE CONTROL VALVE
ELECTRIC VALVE
not to scale



WALL MOUNTED CONTROLLER
CONTROLLER
not to scale

IRRIGATION NOTES

- All equipment numbers reference Rainbird equipment catalog unless otherwise indicated.
- LAWN SPRAY HEADS are 1804 eam installed as per detail.
- SHRUB SPRAY HEADS are 1812 eam installed as per detail.
- ELECTRIC CONTROL VALVES shall be PGA SERIES installed as per detail shown. Size valves as shown on plans. Valves shall be installed in valve boxes large enough to permit manual operation, removal of solenoid and/or valve cover without any earth excavation.
- QUICK COUPLING VALVES shall be #33RC installed as per detail shown. Swing joints shall be constructed using 3/4" Sch. 80 elbows. Contractor shall supply owner with three (3) couplers and three (3) swivel hose ends as part of this contract.
- AUTOMATIC CONTROLLER shall be installed at location shown. Power (120V) shall be located in a junction box within five feet (5') of controller location by other trades.
- All 24 volt valve wiring is to be UF 14 single conductor. All wire splices are to be permanent and waterproof.
- SLEEVES shall be installed by General Contractor. Sleeve material shall be Schedule 40. Sizes as indicated on plans.
- Ten days prior to start of construction, contractor shall verify static water pressure. If static pressure is less than 50 PSI, do not start work until notified to do so by owner.
- All mainline and lateral piping shall have a minimum of 12 inches of cover. All piping under paving shall have a minimum of 18 inches of cover.
- The irrigation contractor shall coordinate installation of the system with the landscape contractor so that all plant material will be watered in accordance with the intent of the plans and specifications.
- The irrigation contractor shall select the proper arc and radius for each nozzle to insure 100% and proper coverage of all lawn areas and plant material. All nozzles in parking lots and planting beds shall be low angle to minimize overspray on pavement surfaces. No water will be allowed to spray on building.

IRRIGATION LEGEND

- RAINBIRD 1804SAM WITH FRS NOZZLE
- RAINBIRD 1812SAM WITH FRS NOZZLE
- HUNTER ROTARY HEAD FC
- HUNTER ROTARY HEAD PC
- ⊕ RAINBIRD FEB SERIES ELECTRIC VALVE
- ⊕ RAINBIRD 3/4" QUICK COUPLER
- ⊕ CONTROLLER
- ⊕ WATER METER (AS SIZED)
- ⊕ BACKFLOW PREVENTER (AS SIZED)
- CLASS 200 PVC LATERAL PIPING
- - - CLASS 200 PVC MAINLINE
- - - SCH. 40 PVC SLEEVING (AS SIZED)
- ⊕ VALVE SIZE
- ⊕ GPM

RECORD DRAWINGS:
THE INTENT OF THE OWNER AND ENGINEER WAS TO CONSTRUCT THESE FACILITIES ACCORDING TO THESE PLANS AS APPROVED BY THE CITY OF ADDISON. THE LINES AND GRADES WERE SET ON THE GROUND FOR CONSTRUCTION ACCORDING TO SAID PLANS. THE CITY OF ADDISON INSPECTED THE CONSTRUCTION. NEITHER THE OWNER NOR THE ENGINEER VERIFIED LINES OR GRADES AFTER CONSTRUCTION. WE ARE NOT AWARE OF ANY CHANGES OR REVISIONS TO THESE PLANS DURING CONSTRUCTION EXCEPT AS NOTED.
BY: *Michael Ransel* DATE: 8/16/02
MICHAEL RANSEL, R.L.A.

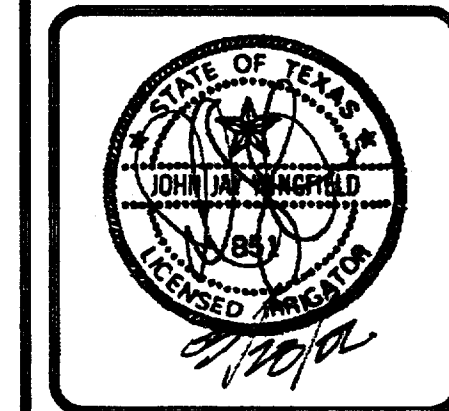
JAN 3, 2002

REVISIONS	DATE	BY

IRRIGATION SPECIALIST
JOHN WINGFIELD - (972) 603-3818

RAYMOND HARRIS AND ASSOCIATES ARCHITECTS
PROPOSED SAM'S CLUB BUILDING REMODEL
BELTLINE ROAD
ADDISON, TEXAS

IRRIGATION PLAN



PROJECT MGR. JW
PROJECT TECH. JW
CHECKED BY JW
JOB NO.
SHEET NO. L5
OF 5