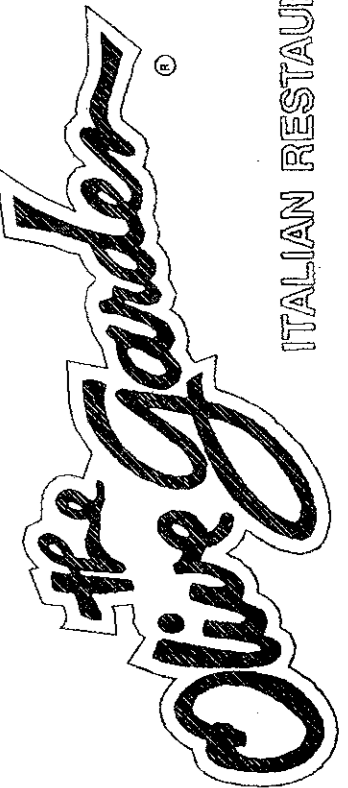


ARCHITECTS
VAN LOM /
EDWARDS
A.I.A., P.C.

S.E. CORNER OF BELTLINE ROAD
AND MIDWAY ROAD
ADDISON, TEXAS

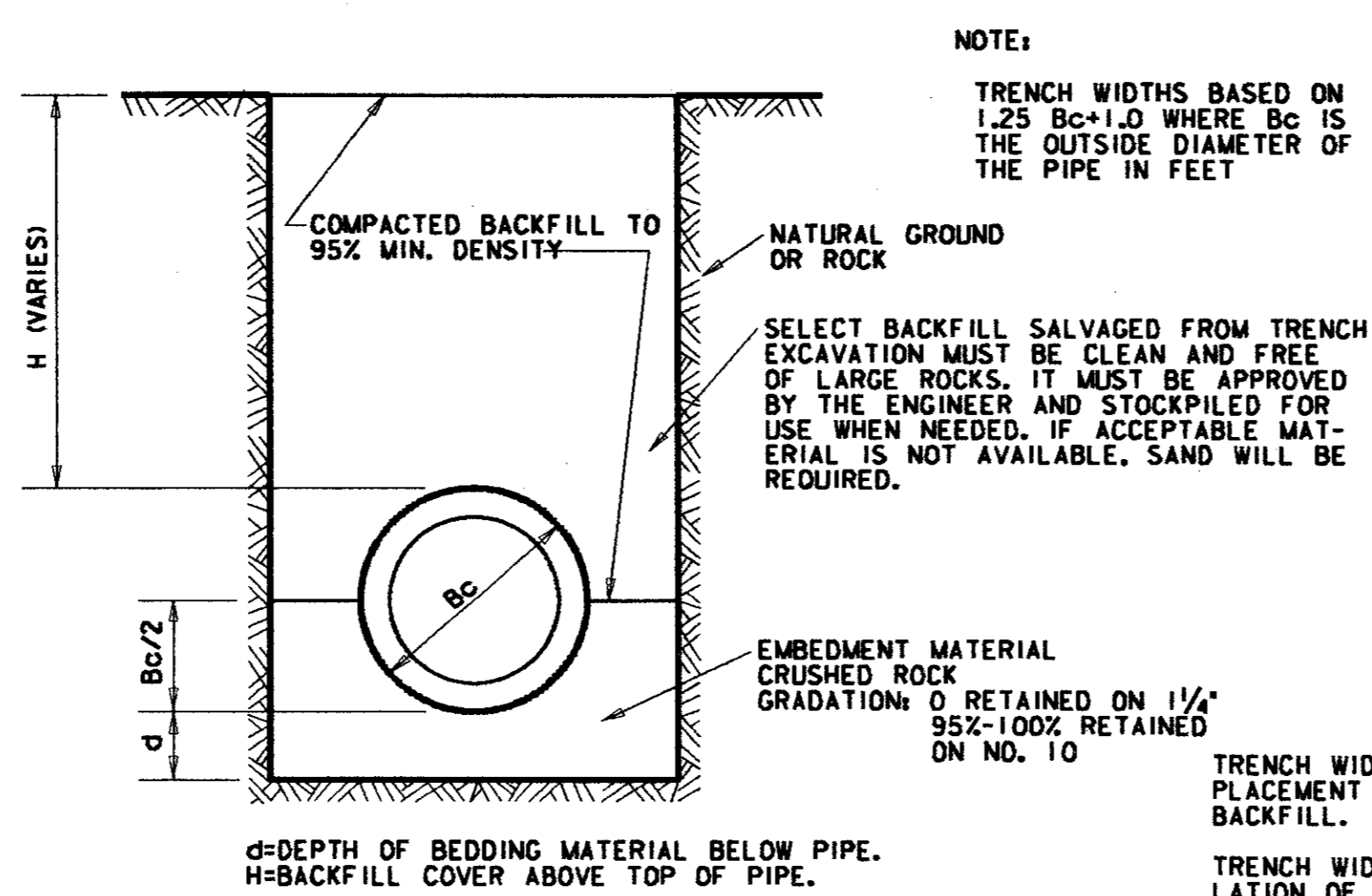
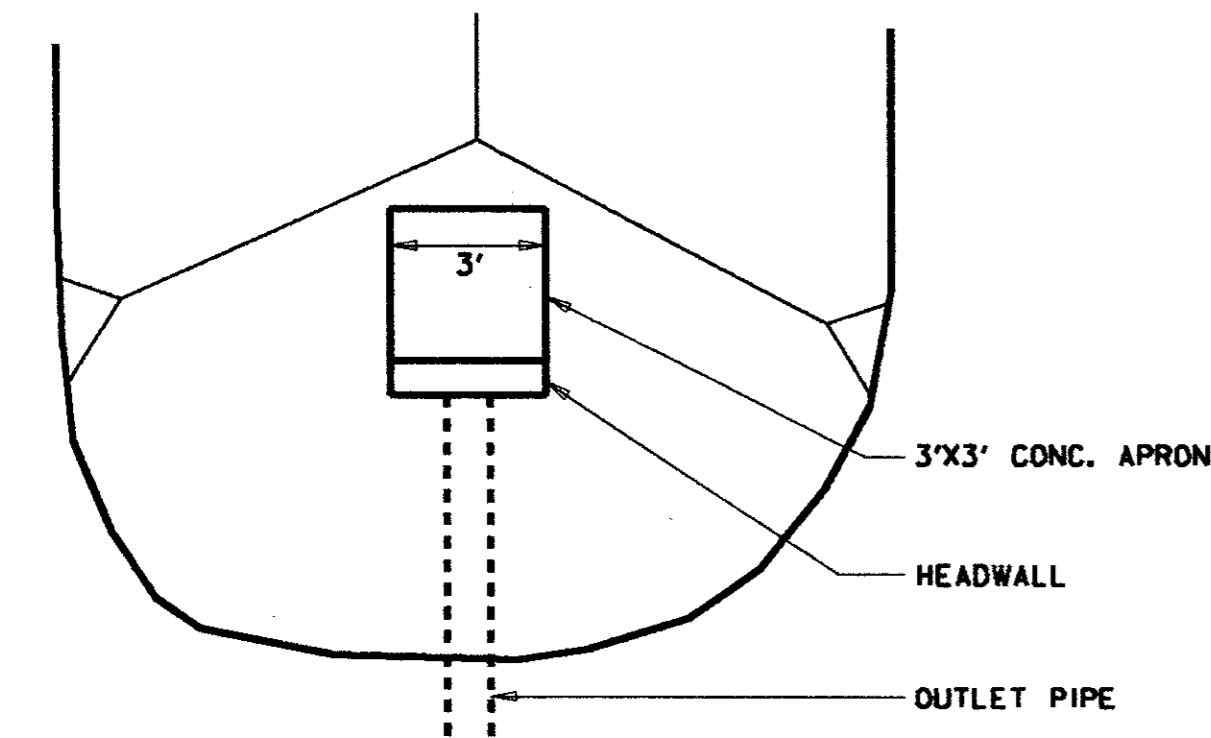


Job No. 1498-01
Date: 7/17/92
Rev: 7/28/92
10/05/92
10/21/92

DETAIL SHEET

Sheet No.

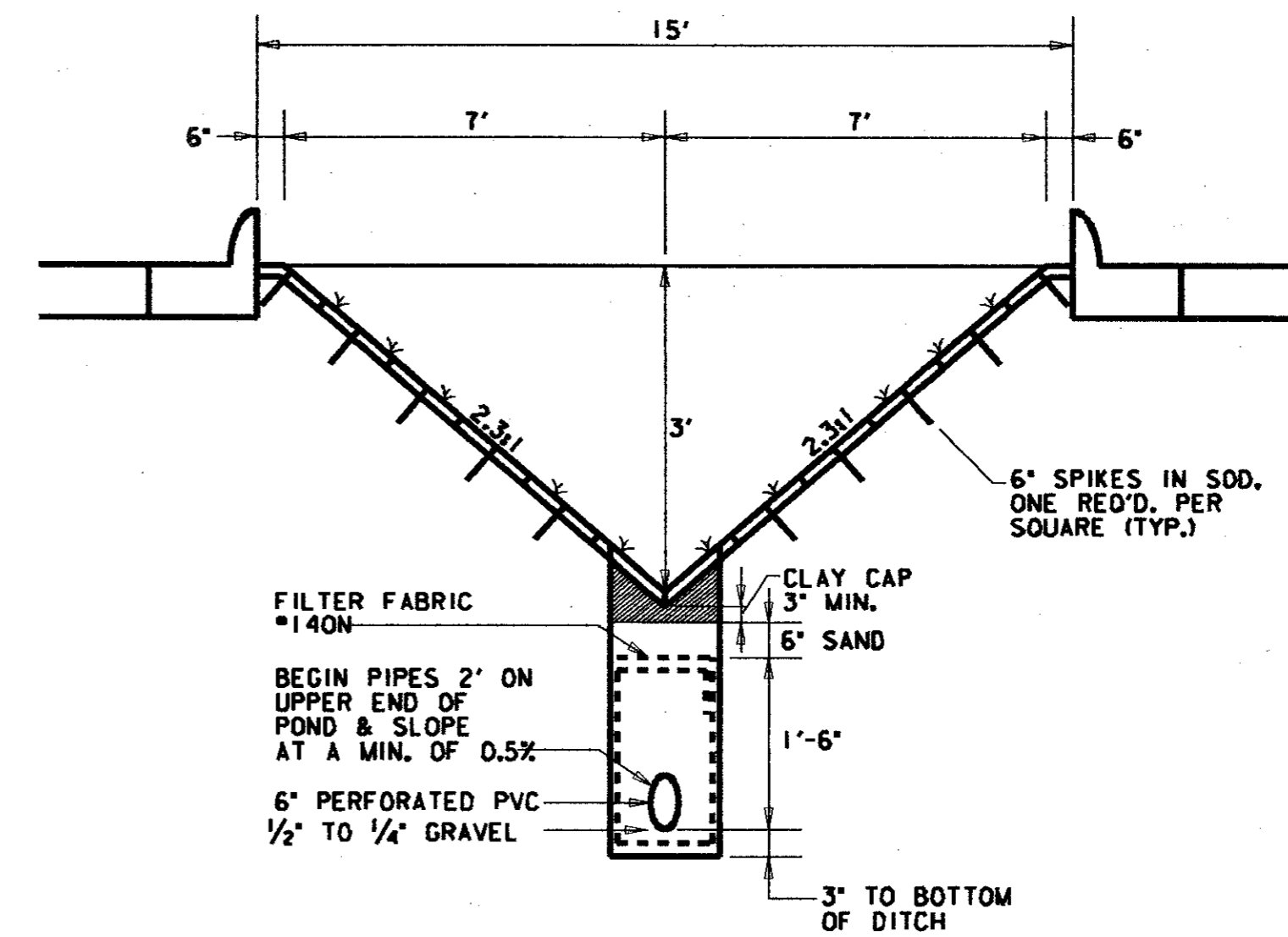
C10



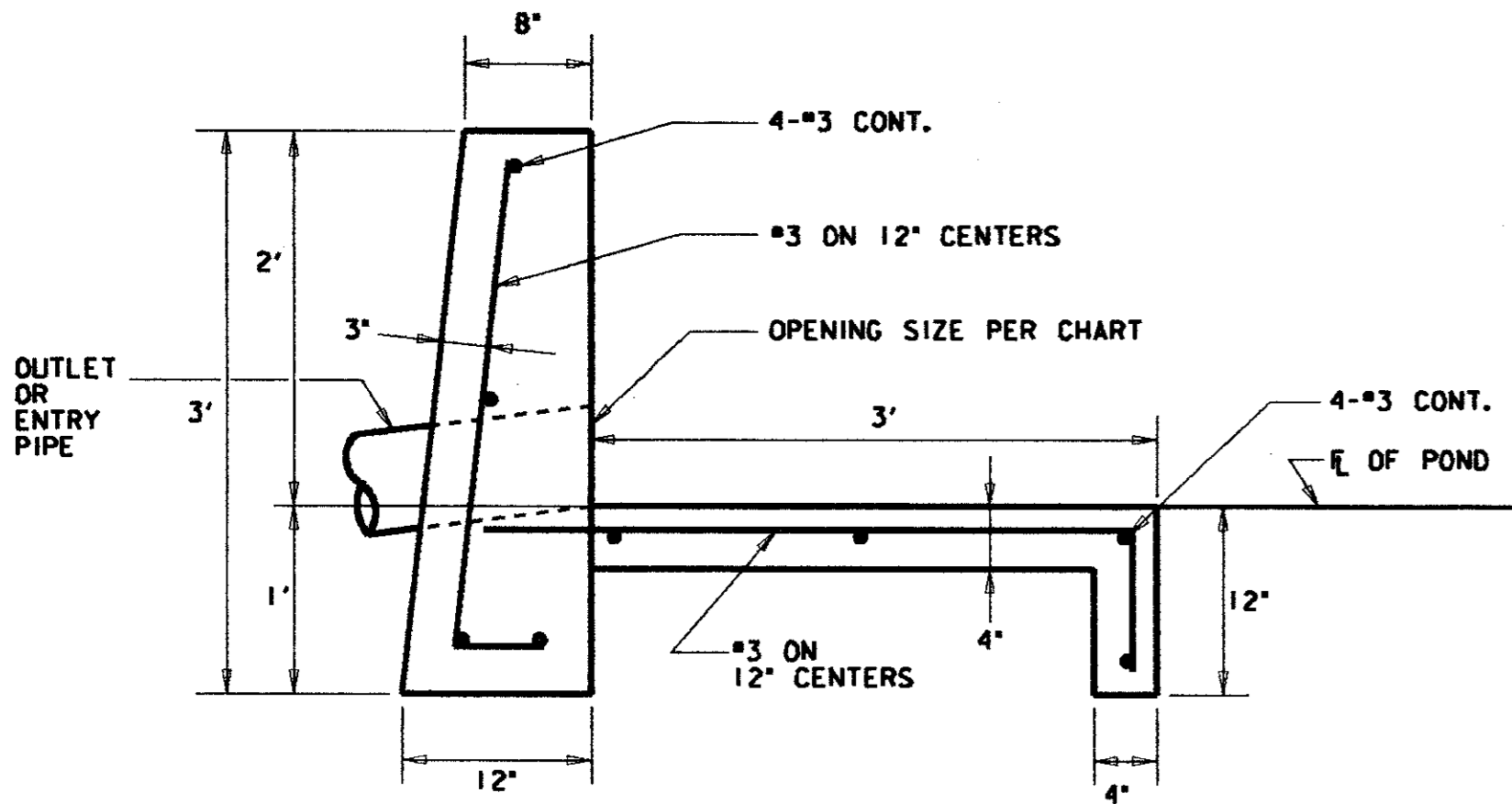
NOTE:
TRENCH WIDTHS BASED ON 1.25 Bc x 1.0 WHERE Bc IS THE OUTSIDE DIAMETER OF THE PIPE IN FEET

PIPE DIAMETER (INCHES)	TRENCH WIDTH (FEET)
15	3.0
18	3.4
21	3.8
24	4.1
27	4.5
33	5.0
39	5.25

DEPTH OF BEDDING MATERIAL BELOW PIPE	
D (INSIDE DIAMETER)	d (MIN)
27" OR SMALLER	3"
33"	4"
39"	4"

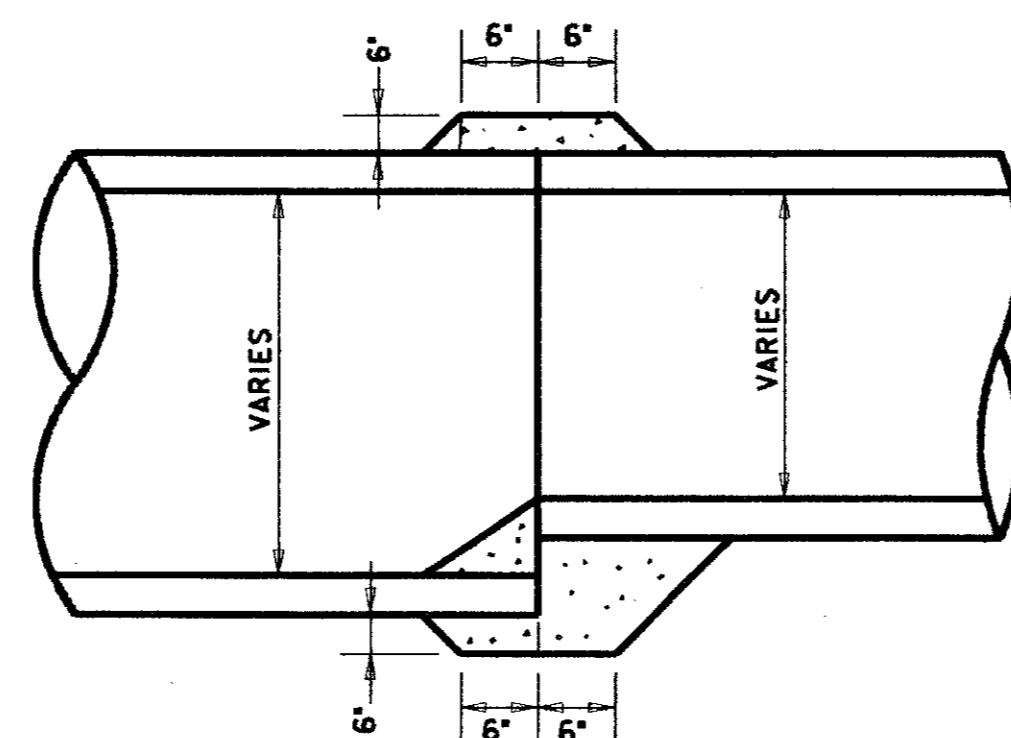


TYPICAL POND A, B & C SECTION 'A-A'

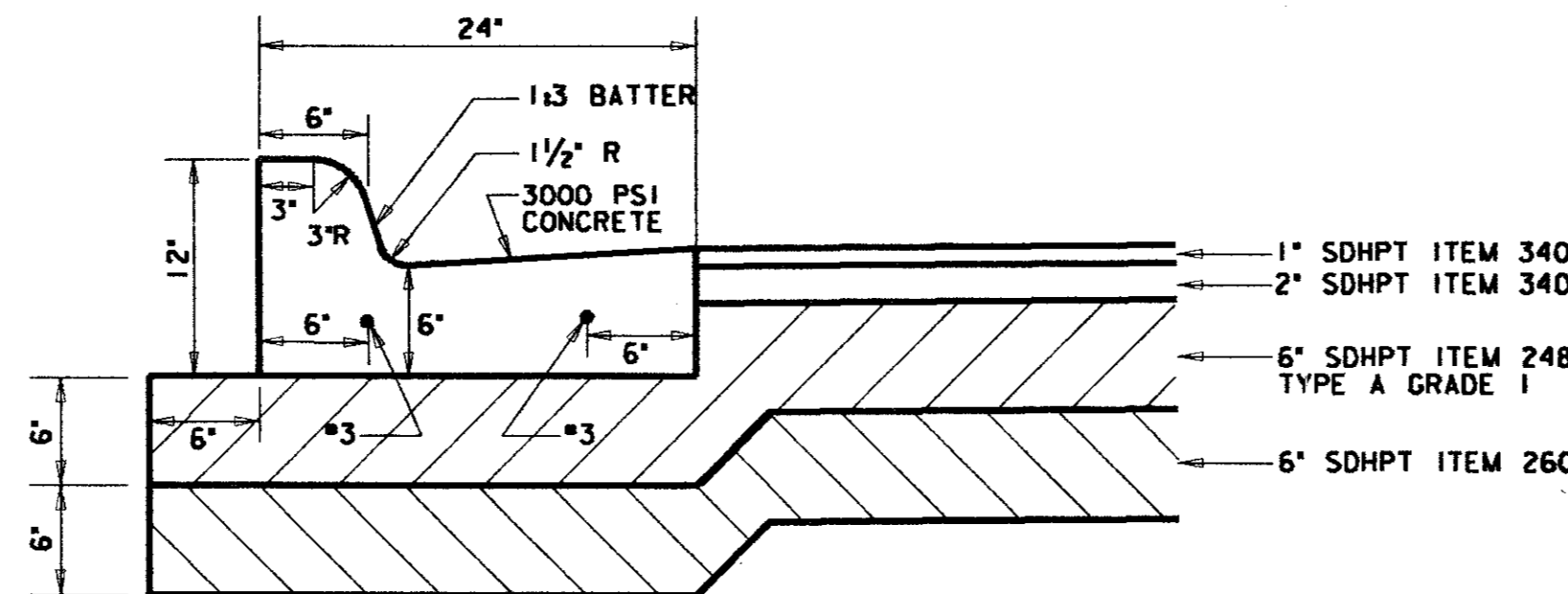


HEADWALL DETAIL
TYPICAL PONDS A, B, C, & D

REINFORCED CONCRETE CLASS III PIPE INSTALLATION

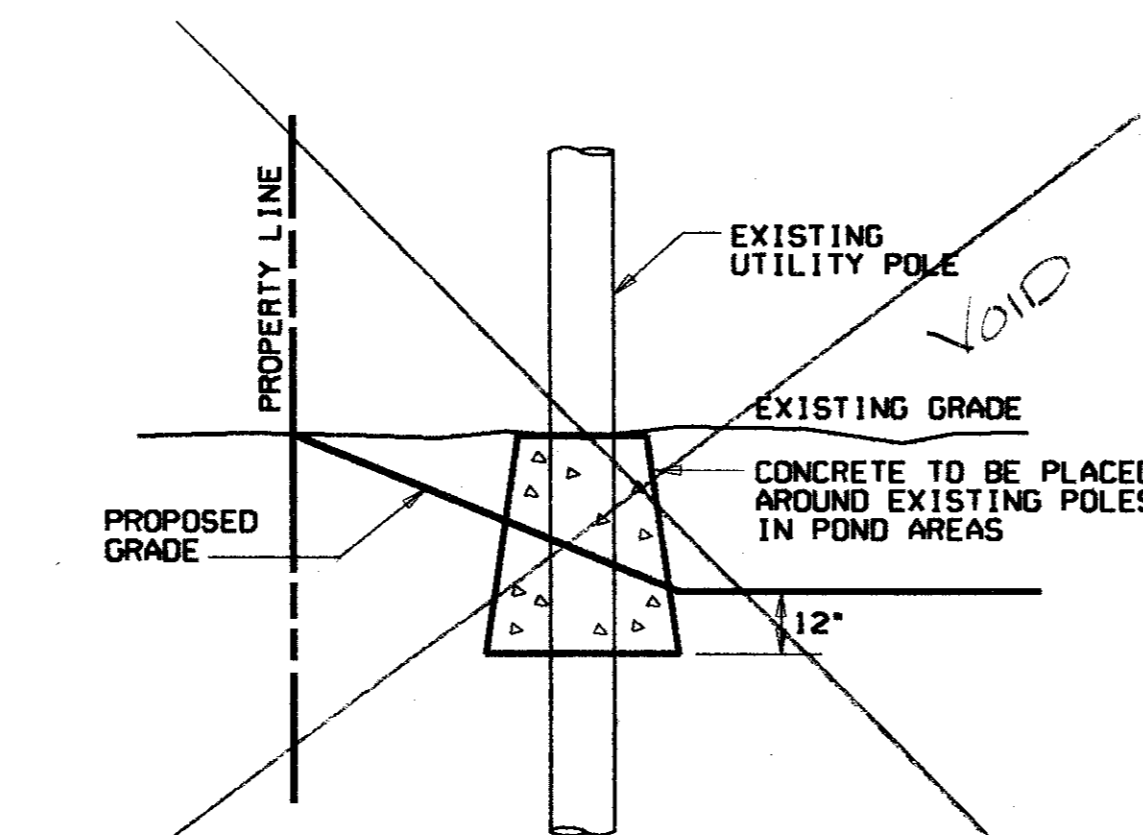


CONCRETE COLLAR DETAIL FOR END TO END EXTENSIONS



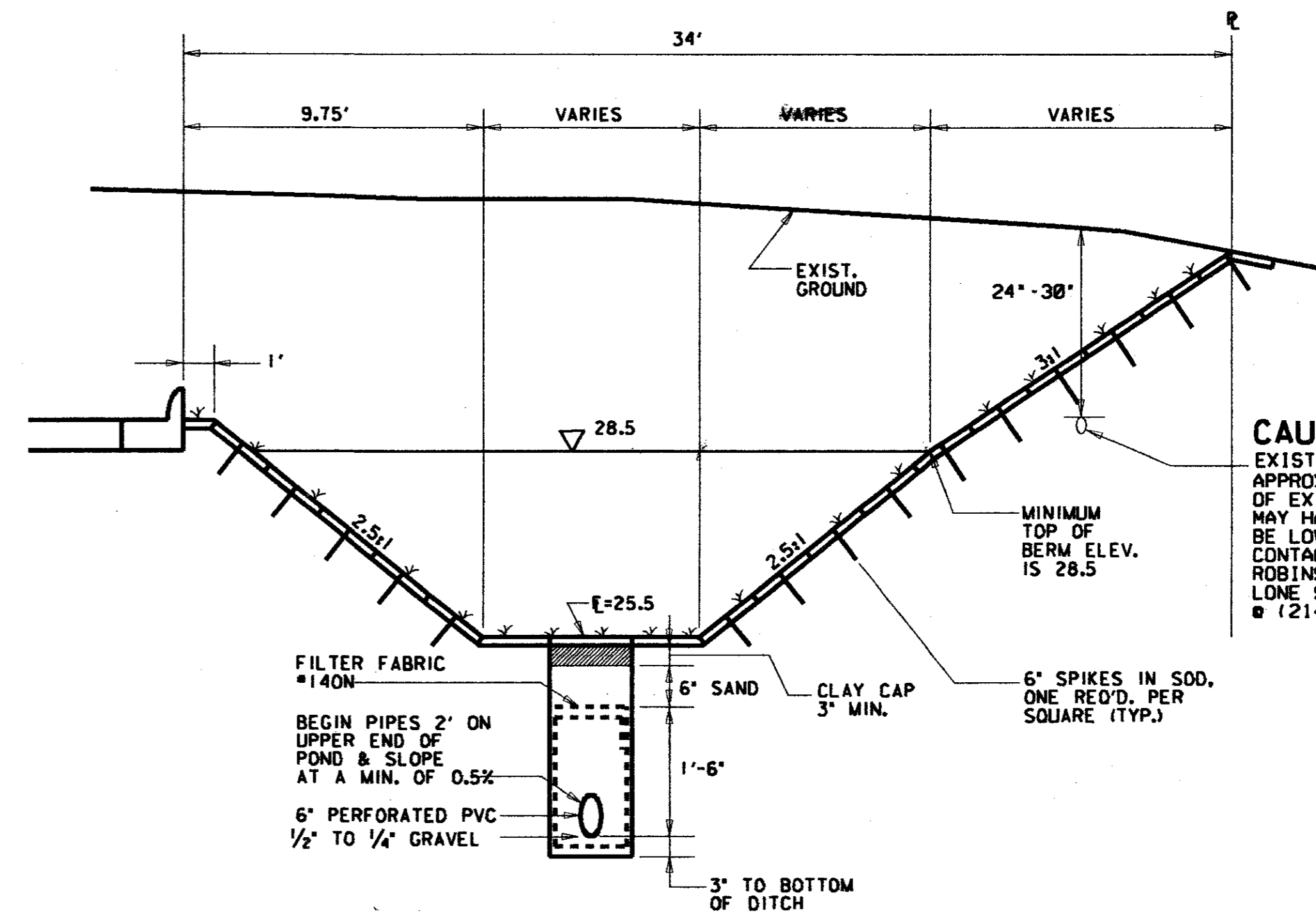
TYPICAL PAVING SECTION & CURB DETAIL AROUND DETENTION PONDS

SEE ARCHITECT PLANS FOR SEPERATE CURB DETAIL



UTILITY POLE SUPPORT DETAIL

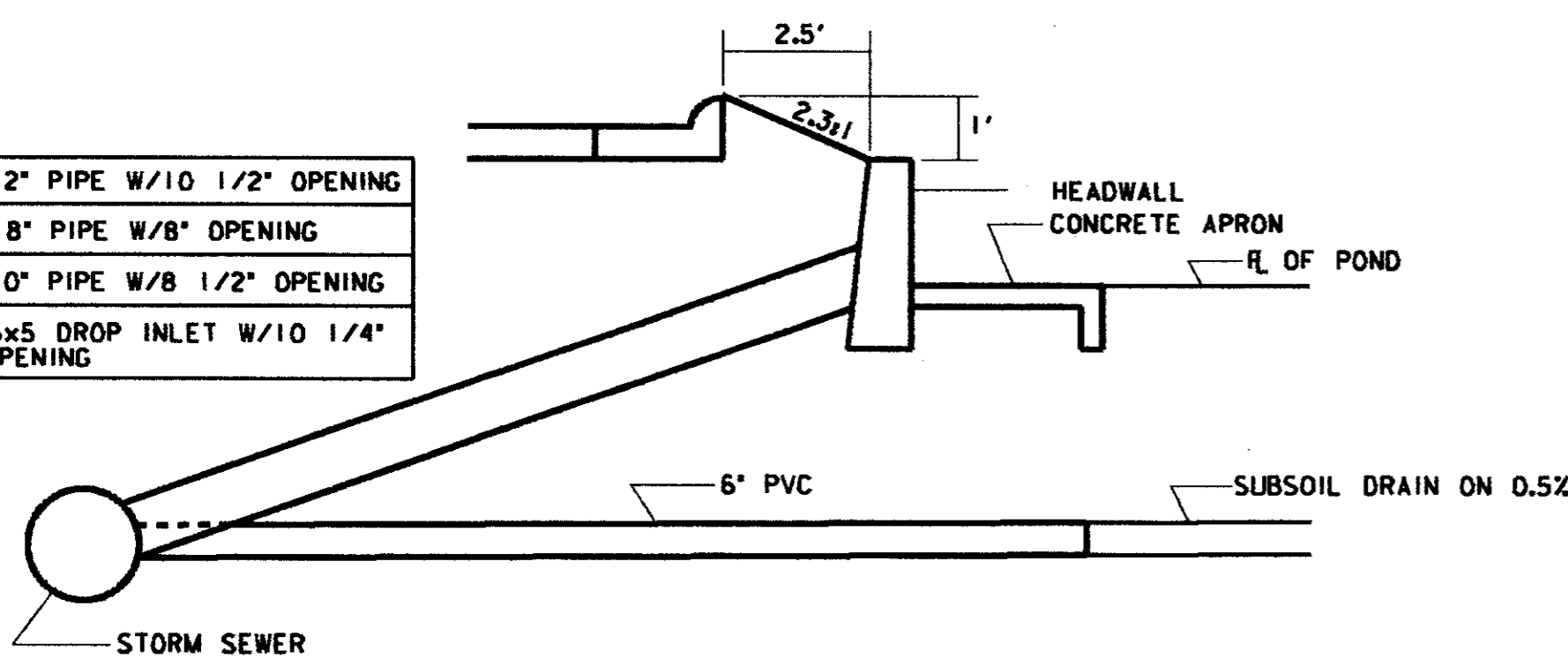
NTS
POND SLOPE TO GO AROUND POLE



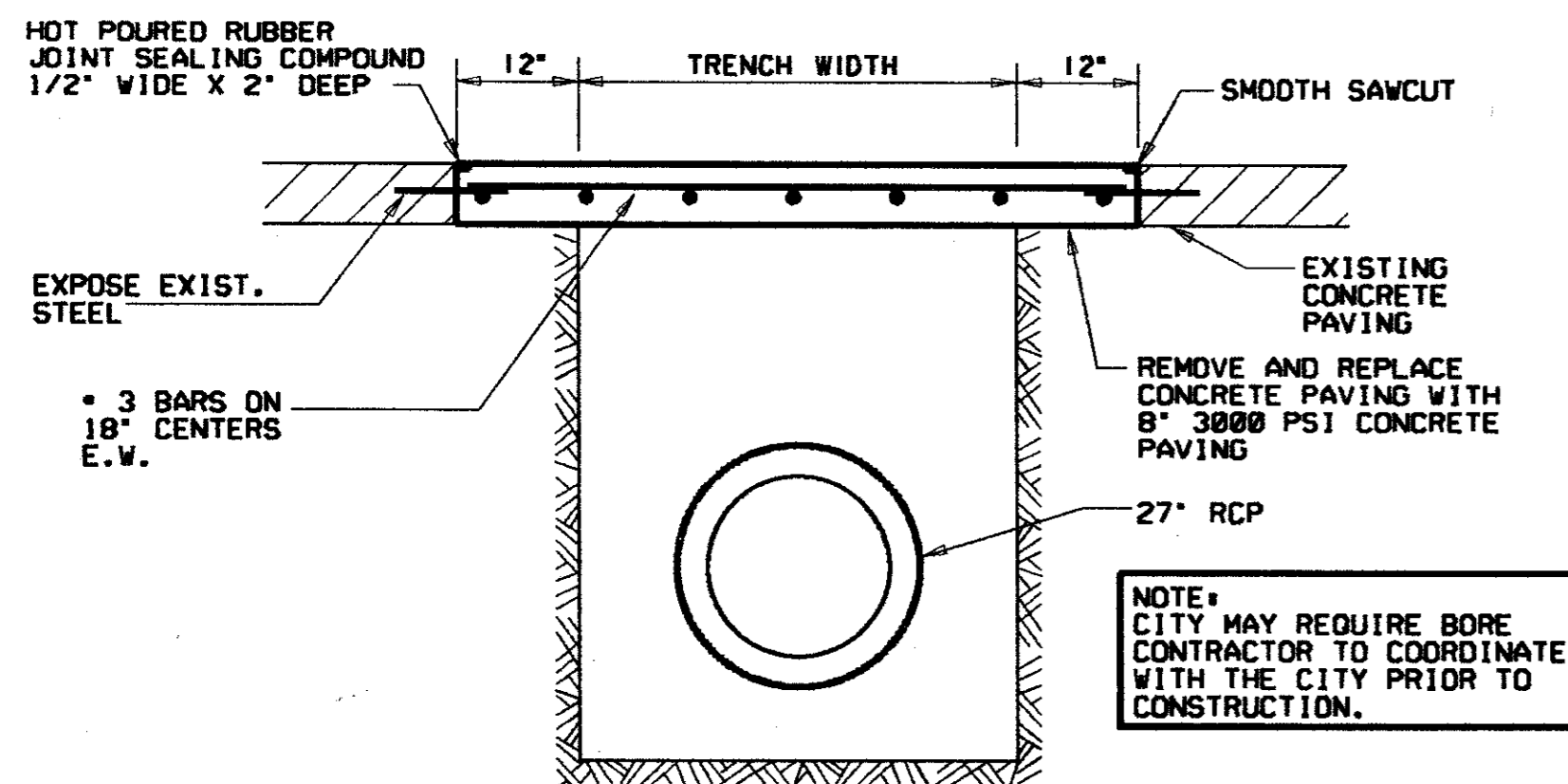
SECTION 'B-B' POND 'D'

CAUTION !!
EXIST 2" GAS APPROX 460' OF EXIST GAS MAY HAVE TO BE LOWERED CONTACT BOB ROBINSON WITH LONE STAR GAS (214)380-5109

POND A	12" PIPE W/10 1/2" OPENING
POND B	8" PIPE W/8" OPENING
POND C	10" PIPE W/8 1/2" OPENING
POND D	5x5 DROP INLET W/10 1/4" OPENING

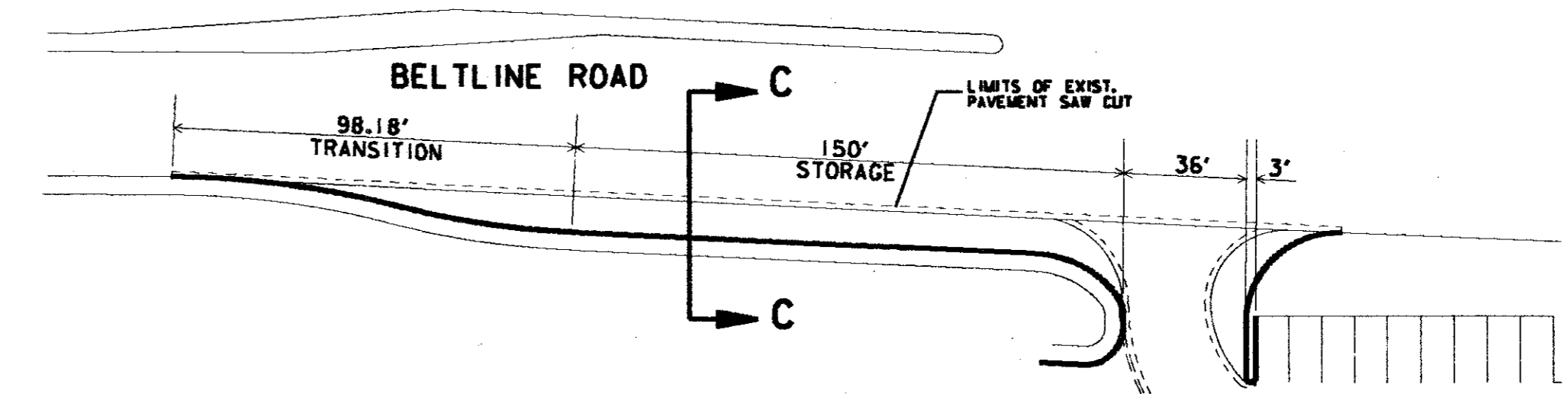


OUTLET STRUCTURES TYPICAL
TYPICAL PONDS A, B, C, & D



CONCRETE PAVEMENT REPLACEMENT AT MIDWAY ROAD

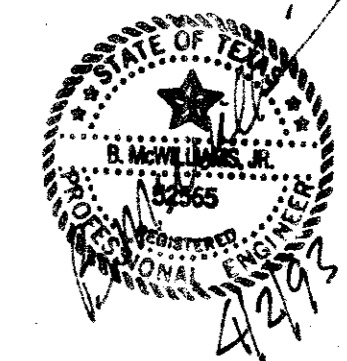
NTS



SECTION 'C-C' DECELERATION LANE DETAIL

NTS

The construction of this Plan was completed according to the design.



"AS BUILT"

HUITT - ZOLLARS

3131 MCKINNEY AVENUE/SUITE 600 DALLAS, TEXAS/214-871-3311