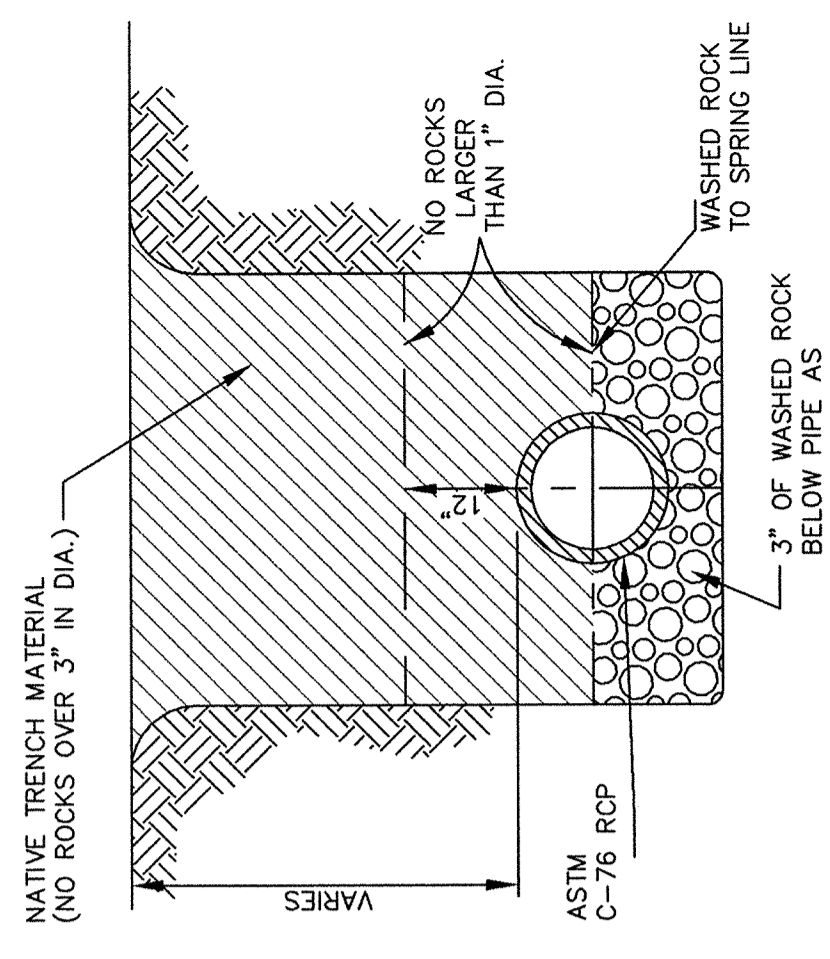


GENERAL NOTES:

1. ALL TRENCH BACKFILL SHALL BE COMPACTED TO A MINIMUM PROCTOR DRY DENSITY (ASTM D-698).
2. MECHANICALLY COMPACTED TRENCH BACKFILL SHALL BE PLACED IN NO GREATER THAN 6" LIFTS. TESTING SHALL BE AT THE RATE OF ONE TEST PER LIFT PER 500 FEET OF TRENCH.
3. EMBEDMENT FOR PUBLIC WATER AND SEWER LINES BEING CONSTRUCTED WITHIN TOWN OF ADDISON SHALL BE CONFORMANT WITH NCTCOG CLASS B+ EMBEDMENT. A LAYER OF GEOTEXTILE FABRIC SHALL BE PLACED ON TOP OF THE STONE PRIOR TO THE LAYMENT OF THE SELECT OR ALL SOIL. ALL EMBEDMENT SHALL BE NATIVE SOIL FREE OF ALL ROCKS AND CLODS GREATER THAN THREE INCHES (3") IN DIAMETER. COMPACTED TO SIX-INCH (6") MAXIMUM LOOSE LIFTS TO A MINIMUM OF 95% STD. PROCTOR DRY DENSITY TO THREE (3%) OF OPTIMUM MOISTURE.



UTILITY EMBEDMENT AND BACKFILL DETAILS

WATER LINES SHALL BE C-909 CLASS 150 PVC FOR WATER MAINS 12\"/>

NOTE: EXISTING SANITARY SEWER SERVICE TO BE FIELD LOCATED AND INSPECTED BY TOWN OF ADDISON INSPECTORS. IF FOUND TO BE UNSATISFACTORY, THE CONTRACTOR SHALL BE RESPONSIBLE FOR REPLACING AT THE EASEMENT LINE. IF NOT, THE LATERAL WILL BE REPLACED TO THE MAIN.

NOTE 1: FOR WORK IN BELT LINE ROAD, CONTRACTOR TO SUBMIT PROPOSED EMBEDMENT FOR APPROVAL BY THE CITY'S PUBLIC WORKS DIRECTOR

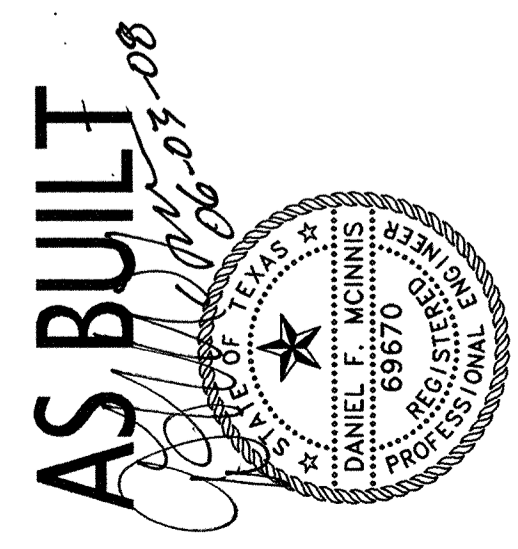
2: SEE ORDINANCE 70-113 FOR SCHEDULING CONSTRUCTION IN BELTLINE ROAD

CAUTION: UTILITIES SHOWN ARE BASED UPON BEST INFORMATION AVAILABLE TO THE ENGINEER, BUT HAVE NOT BEEN VERIFIED IN THE FIELD. THE CONTRACTOR SHALL VERIFY THE LOCATION AND DEPTH OF ALL UTILITIES ON THE SITE PRIOR TO COMMENCEMENT OF CONSTRUCTION. CONTRACTOR SHALL CONTACT THE FOLLOWING PRIOR TO CONSTRUCTION:

AT&T ENERGY 1-888-236-6700
TOWN OF ADDISON 972-459-5871
TXU ELECTRIC 1-800-344-8577

BENCHMARK:
CONTROL POINT NO. COA-11
805' WEST FROM THE INTERSECTION OF MIWAY ROAD
BELTLINE ROAD, THEN 5.5' FROM THE EDGE OF ASPHALT,
27' FROM THE SOUTH EDGE OF SIDEWALK & 27' FROM
POWER POLE.

U.S. SURVEY FEET
NAD 83 ELEVATION: 611.767
MONUMENT: 2" BRASS DISK STAMPED "TODOT COA-11 GPS"
STATE PLAT COORDINATES: EASTING = 247111.917
NORTHING = 10001450.6
DALLAS COUNTY SALES FACTOR: 0.000145026
ELEVATIONS ARE NAD 83 BASED UPON TXDOT WGS NETWORK



Mcinnis Land Consultants L.L.C.
Planning • Development • Engineering

108 BORTH STREET, SUITE 300
DALLAS, TEXAS 75202
OFFICE 817-877-2000 FAX 817-877-4201