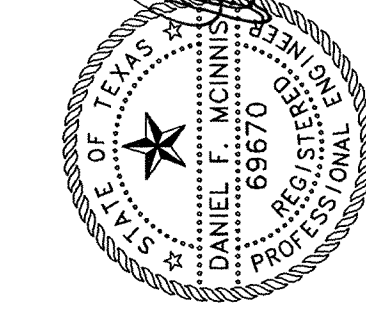
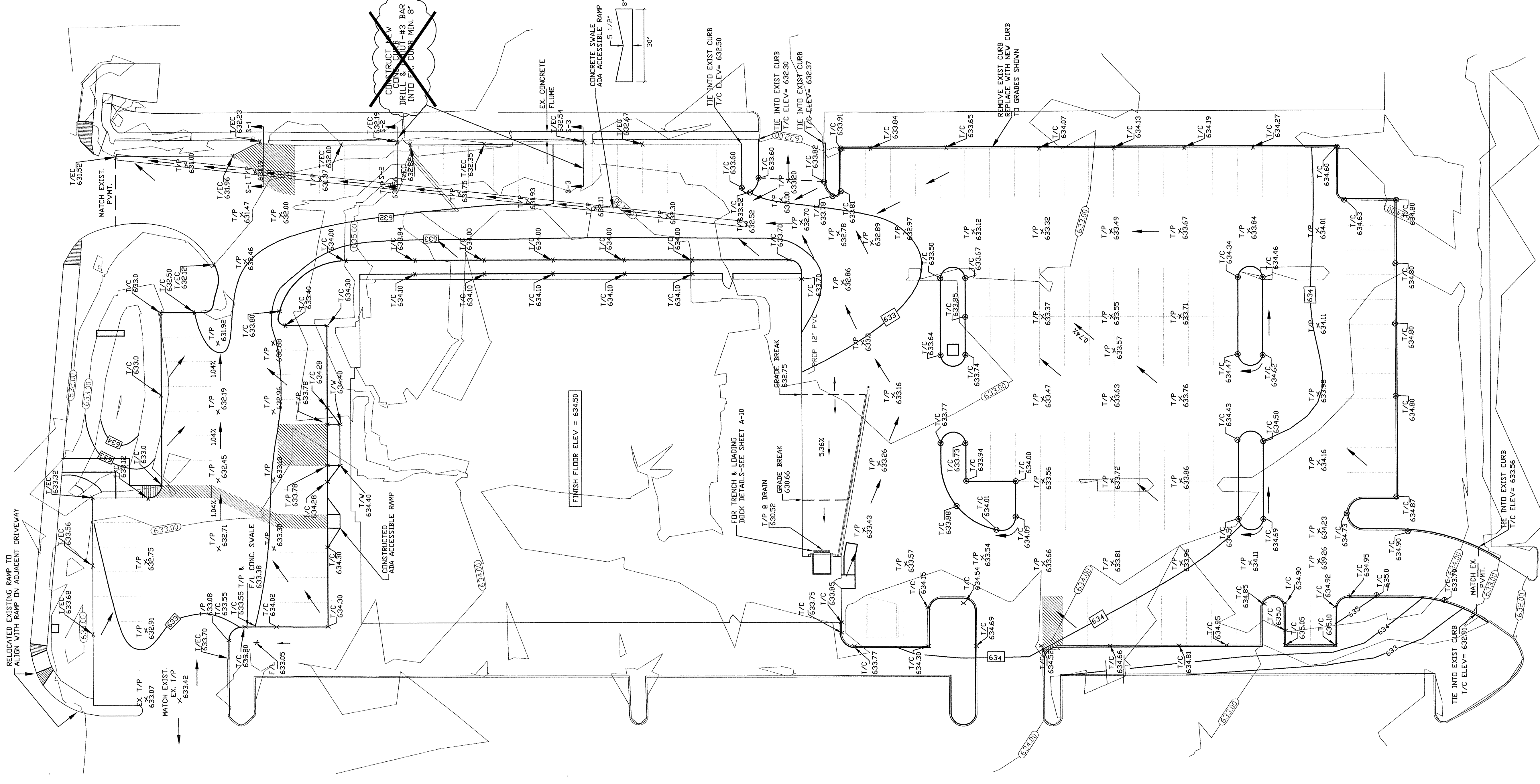
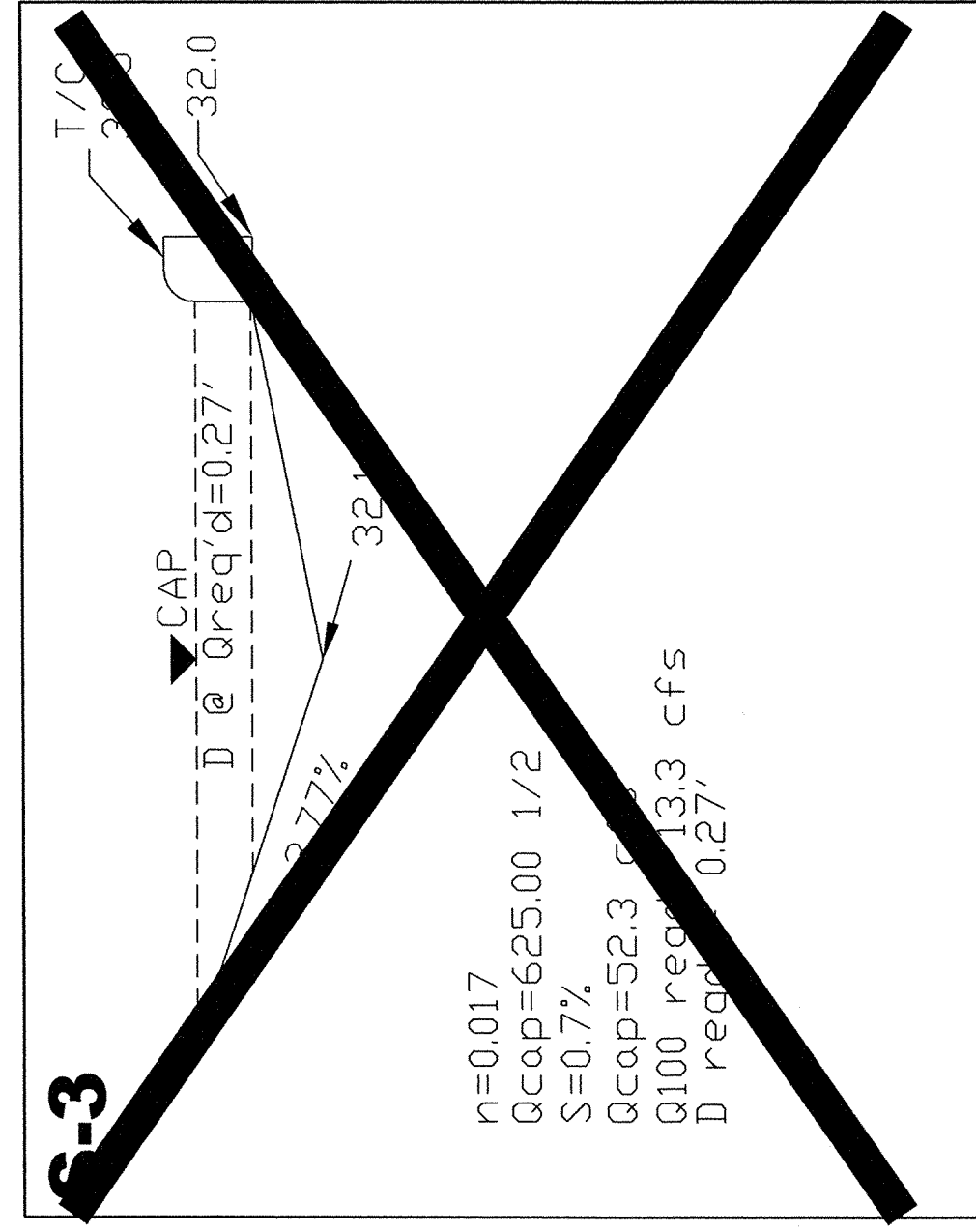
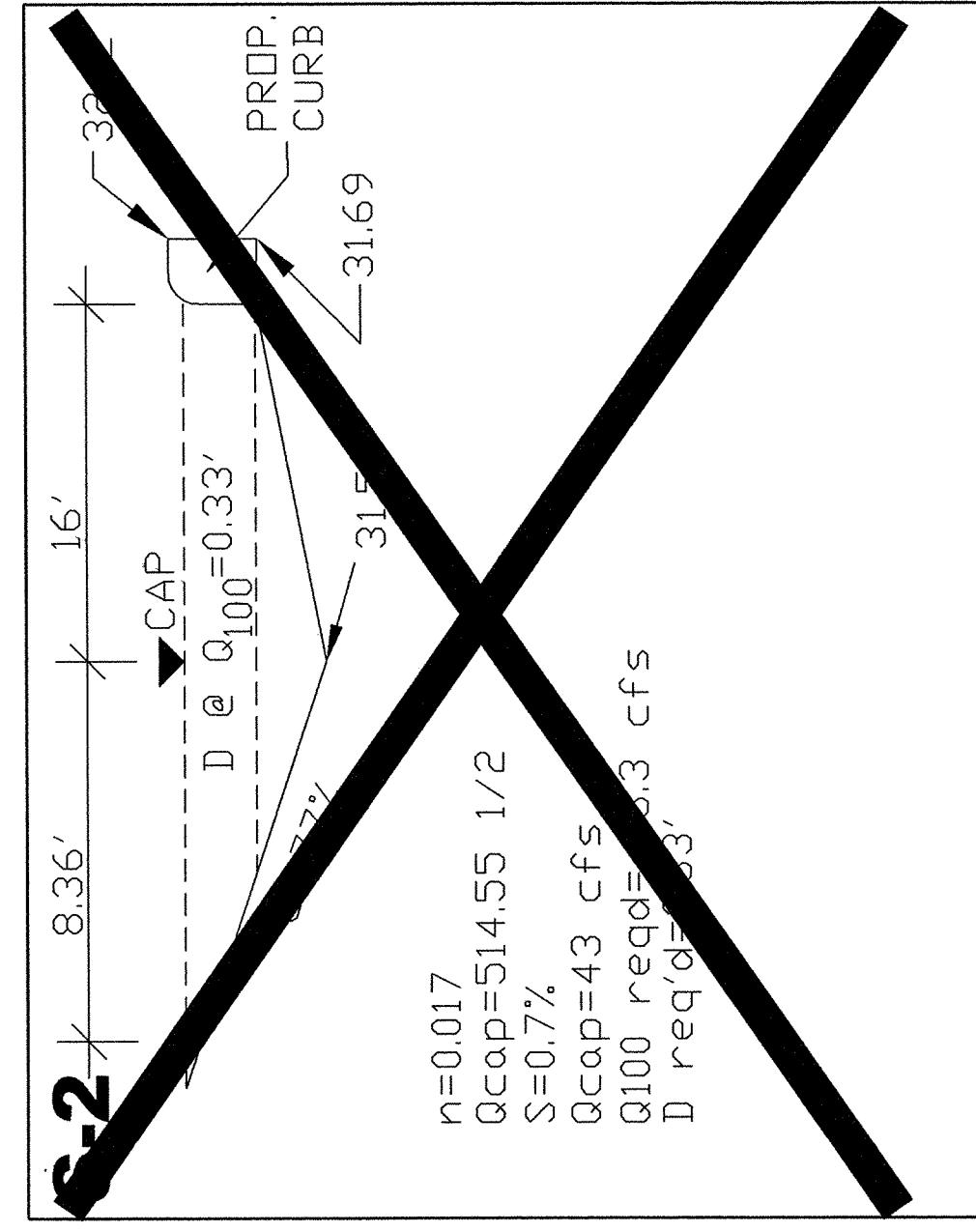
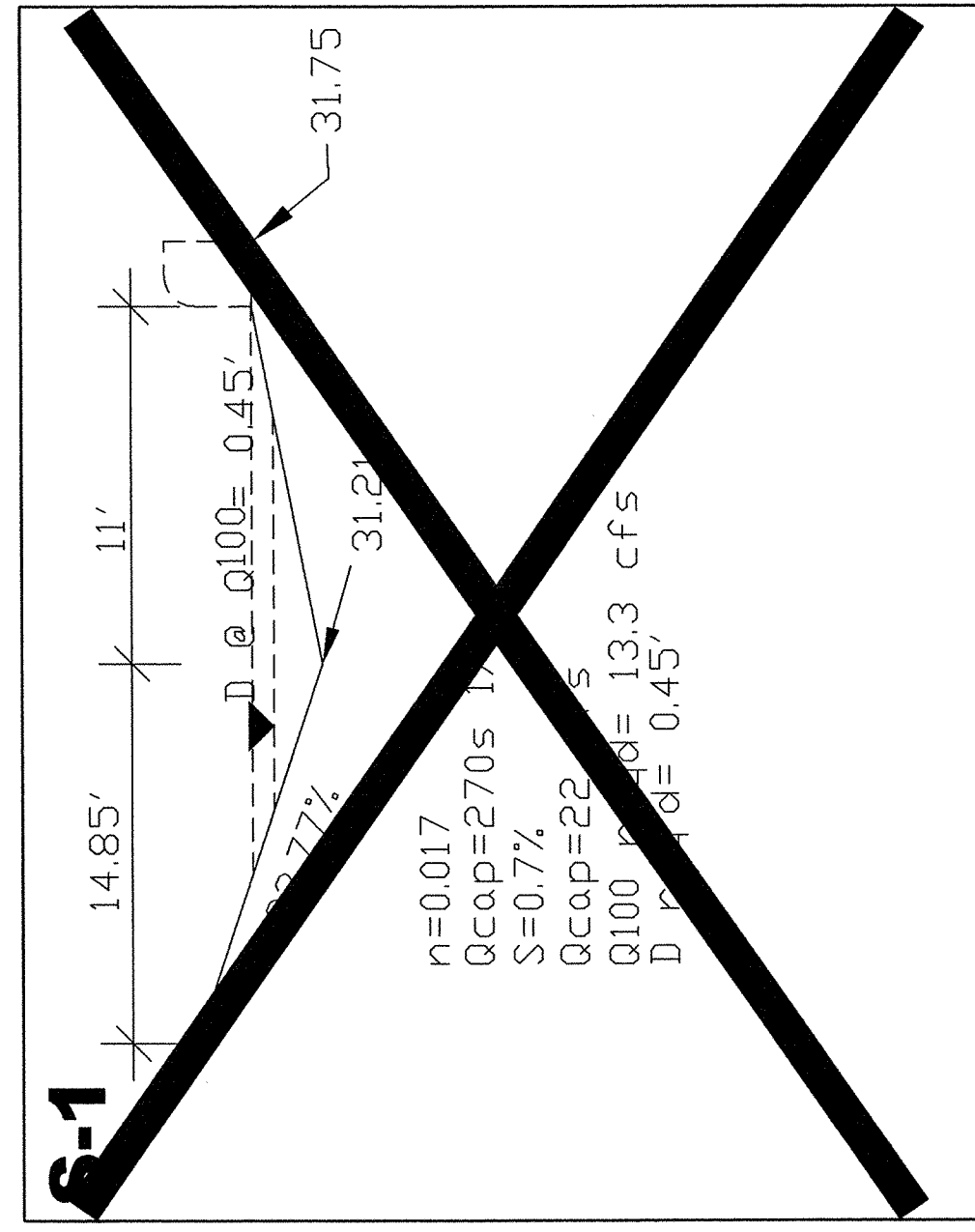


WARNING TO CONTRACTOR:  
EXISTING UTILITIES SHOWN ARE BASED ON BEST INFORMATION AVAILABLE TO THE ENGINEER BUT HAVE NOT BEEN VERIFIED IN THE FIELD. THE CONTRACTOR IS RESPONSIBLE FOR LOCATING AND VERIFYING THE LOCATION OF ALL UTILITIES ON THE SITE PRIOR TO COMMENCEMENT OF CONSTRUCTION.



**AS BUILT**  
McInnis Land Consultants L.L.C.  
06-03-08

BENCHMARK:  
CONTROL POINT NO. COA-11  
APPROXIMATE LOCATION:  
BELTLINE ROAD, THEN 5.5' FROM THE EDGE OF ASPHALT,  
2' FROM THE SOUTH EDGE OF SIDEWALK & 27' FROM  
POWER POLE.

U.S. SURVEY FEET  
NAVD 88 ELEVATION: 611.74  
STATE PLANNING DEPARTMENT  
MONUMENT 22 BRASS DISK STAMPED "TWOOT COA-11 GPS"  
STATE PLAN COORDINATES:  
NORTHING: 7024115.989 EASTING: 4477111.917  
ELEVATION: 611.74  
ELEVATIONS ARE NAVD 88 BASED UPON TMDOT VRS NETWORK

