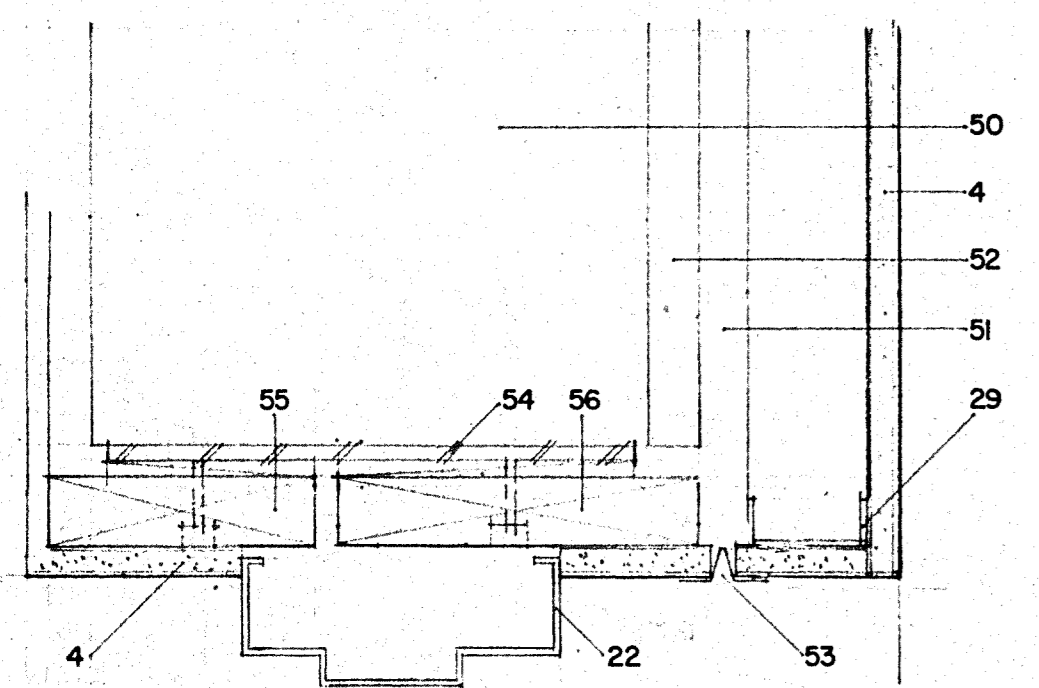
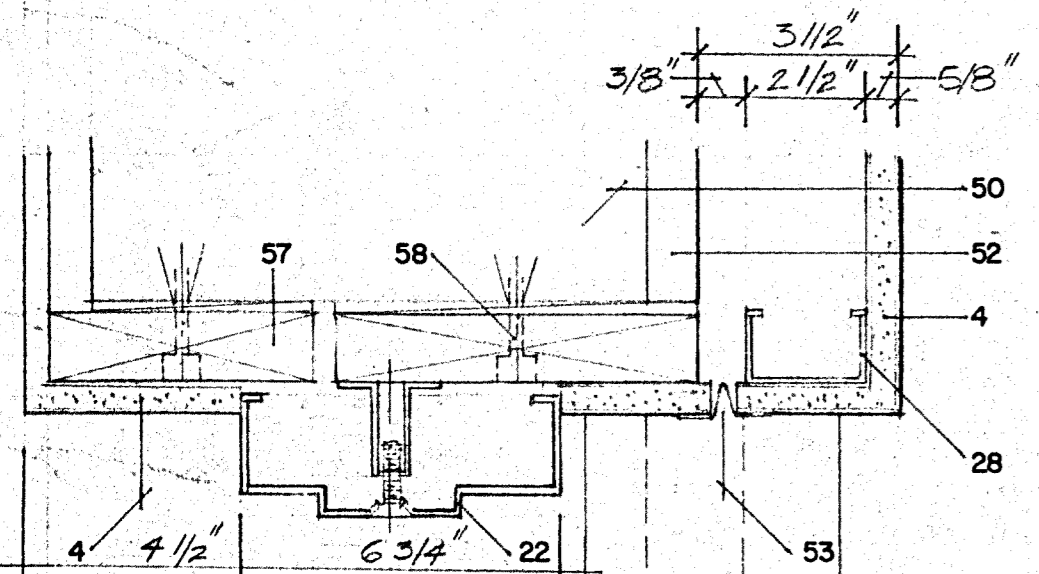


Notes:

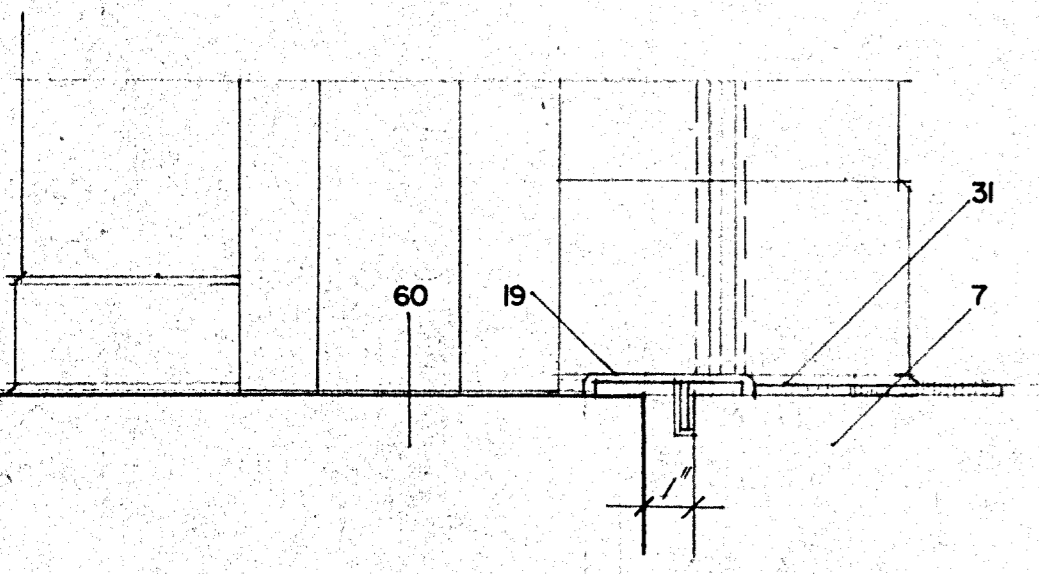
1. CEMENT PLASTER WITH STUCCO FINISH. APPLY TO SELF-FURRING LATH WITH 1" BROUNDS, COLOR AND TEXTURE TO MATCH EXISTING.
2. 1/2" GYP. SHEATHING.
3. 5/8" 20 G.V. METAL STUDS @ 16" O.C.
4. 5/8" GYP. BU.
5. 60X16 C.M.U.
6. 80X16 C.M.U.
7. CONCRETE FLOOR SLAB.
8. CEMENT PLASTER SOFFIT ON FURRING CHANNELS AND LATH.
9. GALVANIZED CASING BEAD.
10. MISCELLANEOUS ANGLE FRAMING, SEE STRUCTURAL.
11. CONTINUOUS GASKING BEAD.
12. 60X16 C.M.U. THROUGH BLOCK HEADER WITH ONE #3 TOP AND BOTTOM.
13. 80X16 C.M.U. THROUGH BLOCK HEADER WITH ONE #3 TOP AND BOTTOM.
14. 2X3 PRESSURE TREATED HOLMUTZIZED WOOD BLOCKING.
15. SUSPENDED ACOUSTICAL CEILING.
16. ALUMINUM THRESHOLD, EQUAL TO PEMCO 180 AV. SET IN FULL BED OF GROUT.
17. BALCO ADJUSTO FLEX ADM-1 ALUMINUM EXPANSION JOINT COVER.
18. MASONRY JAMB ANCHOR.
19. 3/4" FURRING STRIPS @ 16" O.C.
20. HELLOH METAL FLOOR FRAME.
21. MANUFACTURER'S STANDARD ALUMINUM RAIL SECTION.
22. 1/4"X10'-4 1/2" ALUMINUM BAR SPACER.
23. ALUMINUM DOOR WITH 1/4" CLEAR TEMPERED GLASS.
24. 1 3/8"X4" CLEAR ANODIZED ALUMINUM STORE FRONT SECTION.
25. 1 3/8"X4" ALUMINUM SILL WITH FLASHING, SET IN FULL BED OF MASTIC.
26. 2 1/2" METAL STUDS @ 16" O.C.
27. 2 1/2" METAL RUNNER TRACK.
28. 1/2"X3"X1/8"X40'-4 1/2" ALUMINUM BENT PLATE, ANCHOR TO ALUMINUM MUL.
29. SCHEDULED FLOORING.
30. 5/8" CASING BEAD.
31. CONTINUOUS 2X4 BLOCKING.
32. 1X4 TRIM.
33. 1X3 TRIM WITH EASED EDGES.
34. VINYL FOLDING PARTITION.
35. 30X13.4.
36. 30X17/40'-4" CLIP ANGLE WELDED TO ITEM 37 @ 7'-6" O.C.
37. 2X6 BOLT TO ITEM 37 @ 16" O.C., ALTERNATE SIDES, WITH 1/2" DIA. BOLTS.
38. CONTINUOUS 2X4, SCREW AND GLUE TO ITEM 39.
39. 2 1/2X 2 1/2X1/4 ANGLE, SUSPEND FROM STRUCTURE AND WELD TO ITEM 38 @ 7'-6" O.C.
40. 2 1/2X2 1/2X1/4 ANGLE KNEE BRACE TO STRUCTURE.
41. 2-2X12 JOIST.
42. 4" RUBBER BASE.
43. 1X WOOD TRIM, EASE EDGE AS DETAILED.
44. 3/4" PLYWOOD SUBFLOOR.
45. DOOR AS SCHEDULED.
46. 7/8" FURRING CHANNELS @ 16" O.C. (49 NOT USED)
47. EXISTING 12" MASONRY WALL.
48. 1" EXPANSION JOINT.
49. EXISTING PLASTER.
50. DRYWALL EXPANSION JOINT NO. 093.
51. STEEL PLATE LINTEL.
52. 2X6 WOOD BLOCKING, ANCHOR TO ITEM 54.
53. 2X8 WOOD BLOCKING, ANCHOR TO ITEM 54.
54. 2X6 WOOD BLOCKING, ANCHOR TO EXISTING MASONRY WALL.
55. 2X8 WOOD BLOCKING, ANCHOR TO EXISTING MASONRY WALL.
56. 5/8" METAL RUNNER TRACK.
57. EXISTING CONCRETE FLOOR SLAB.
58. METAL CASING BEAD.
59. 2 1/2"X3/4" WOOD GROUND PREPAIN BLACK



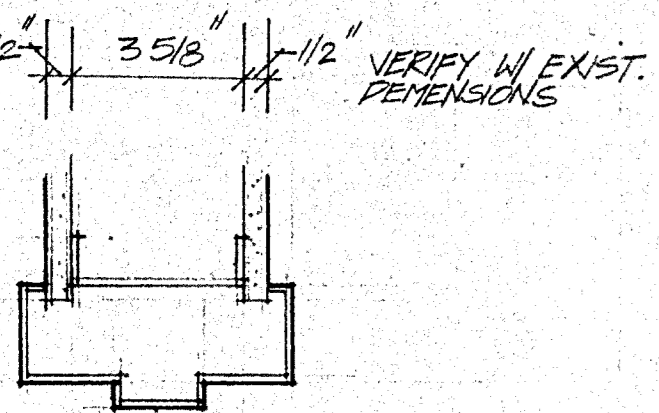
1229 Head



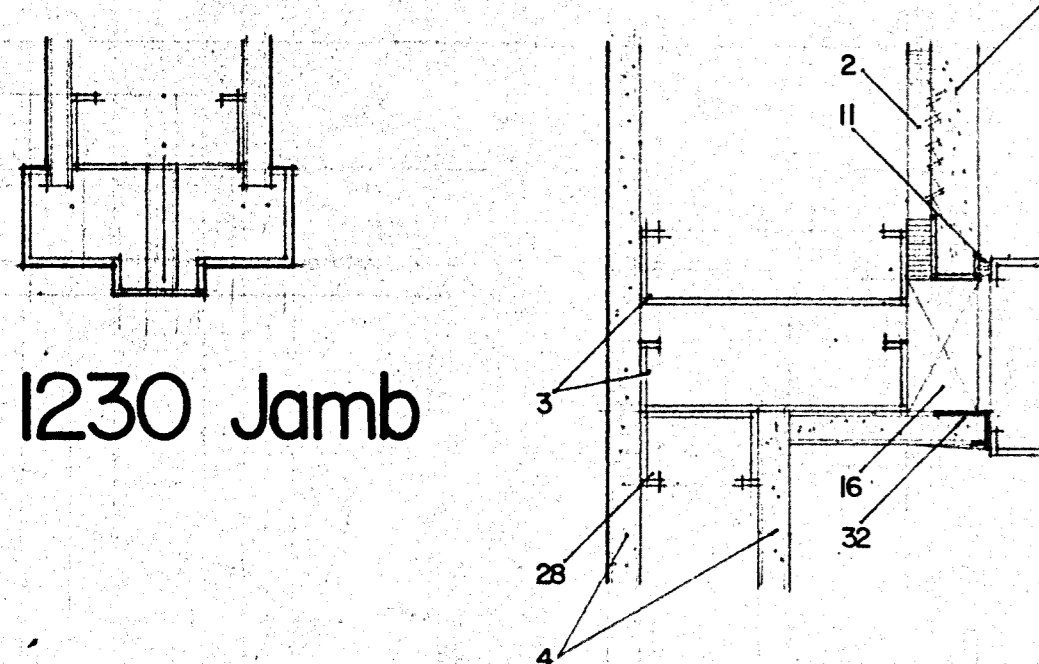
1228 Jamb



1227 Sill

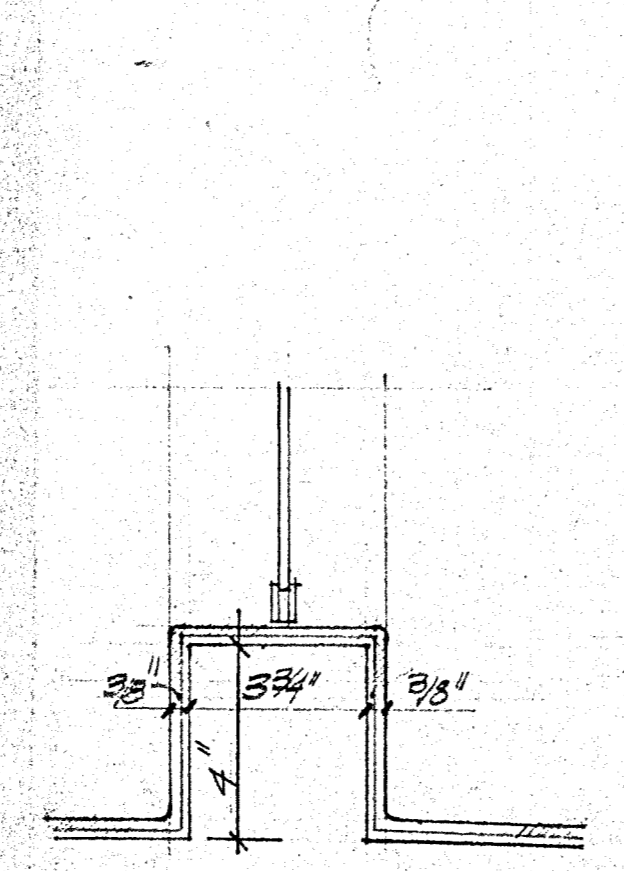


1231 Head

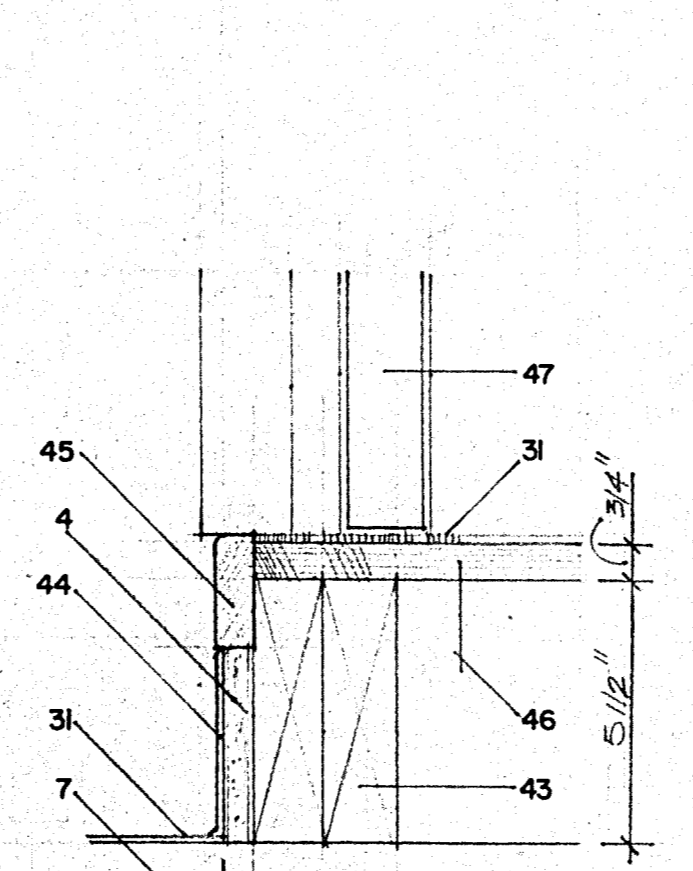


1230 Jamb

1226 Detail

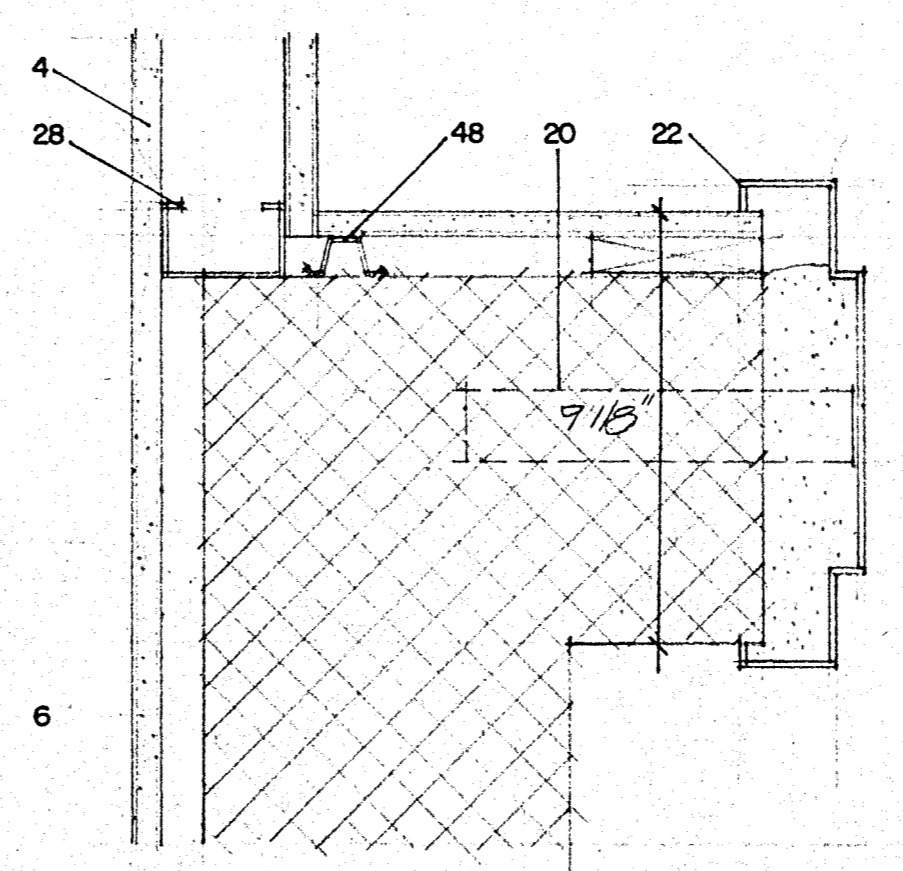


1219 Sill

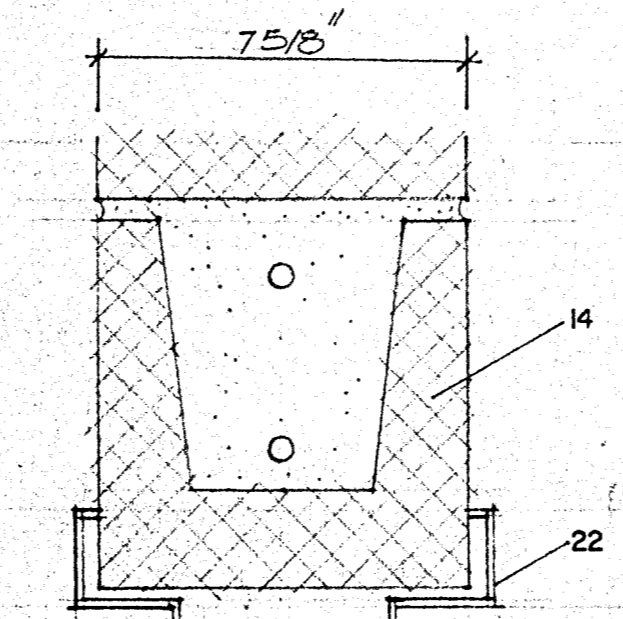


1214 Sill

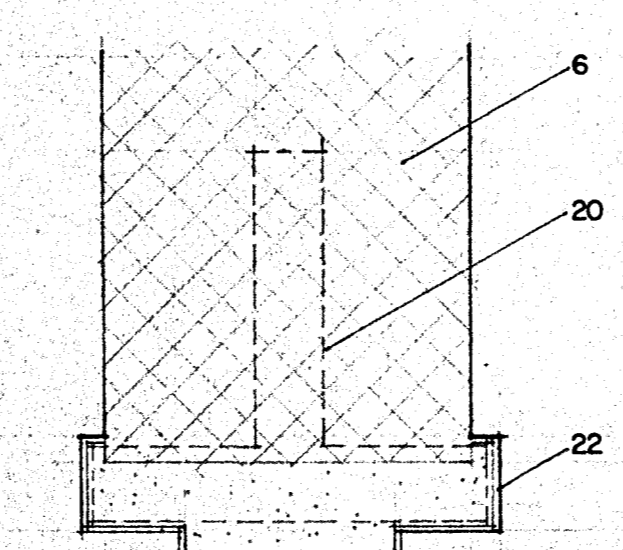
GYP. BU. TO LINE OF WALL GYP. BU. BEYOND



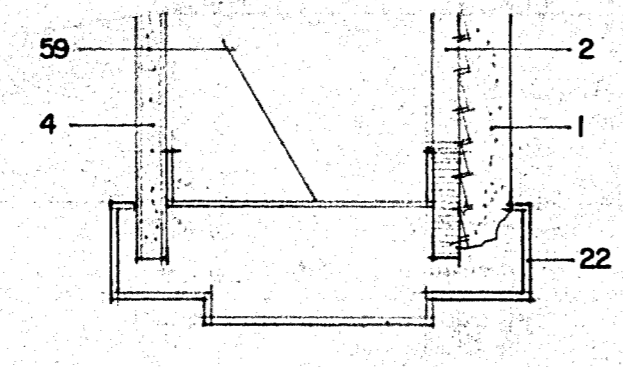
1209 Jamb



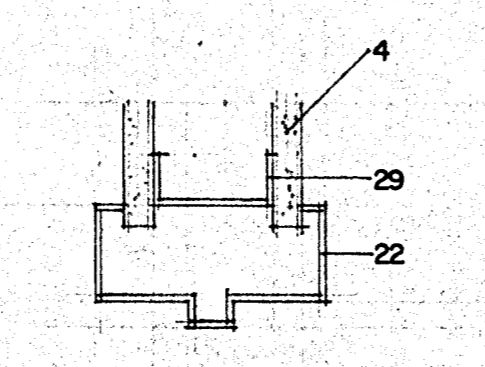
1213 Head



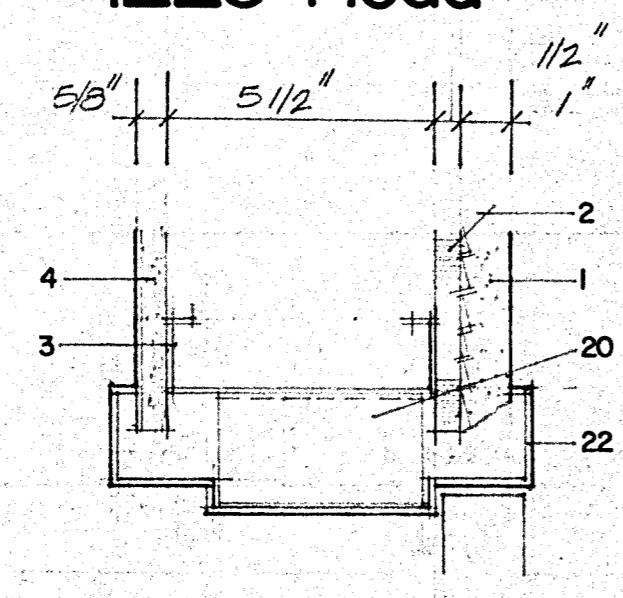
1212 Jamb



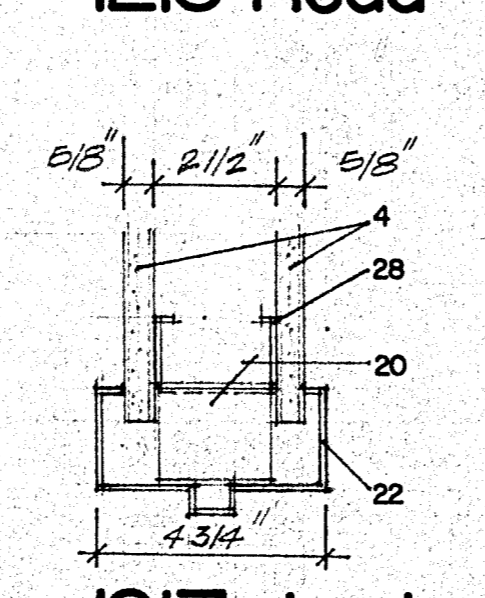
1223 Head



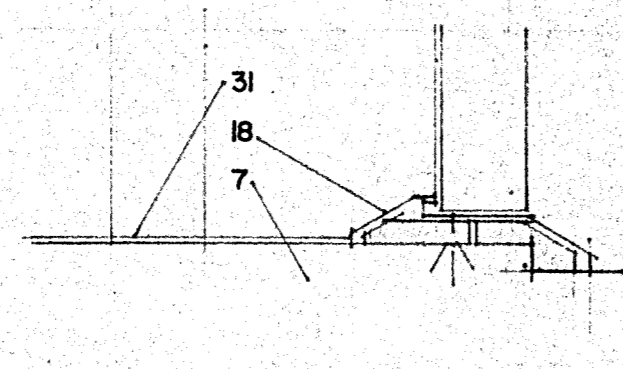
1218 Head



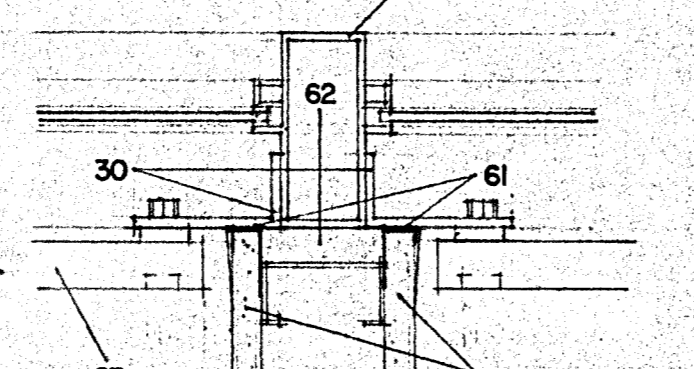
1222 Jamb



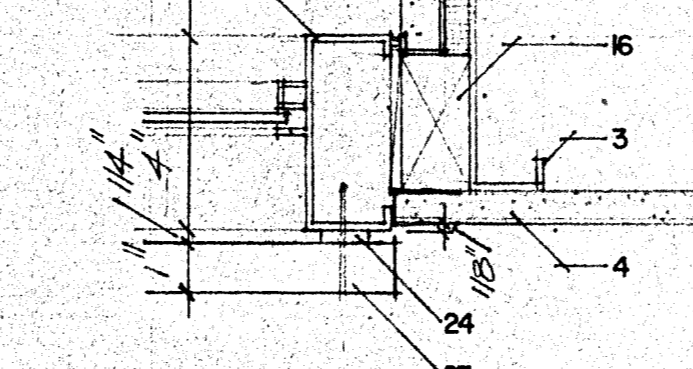
1217 Jamb



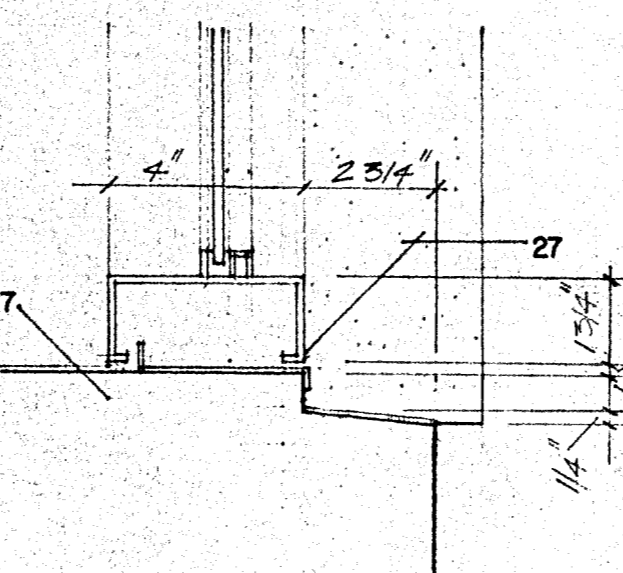
1221 Sill



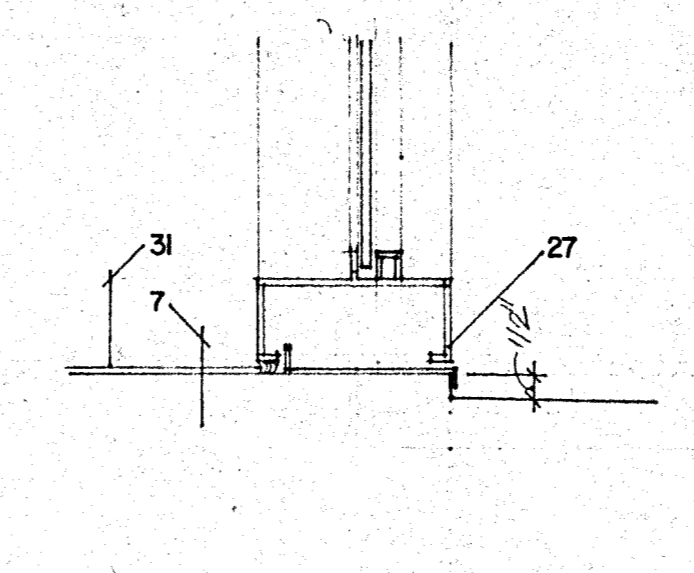
1216 Mullion



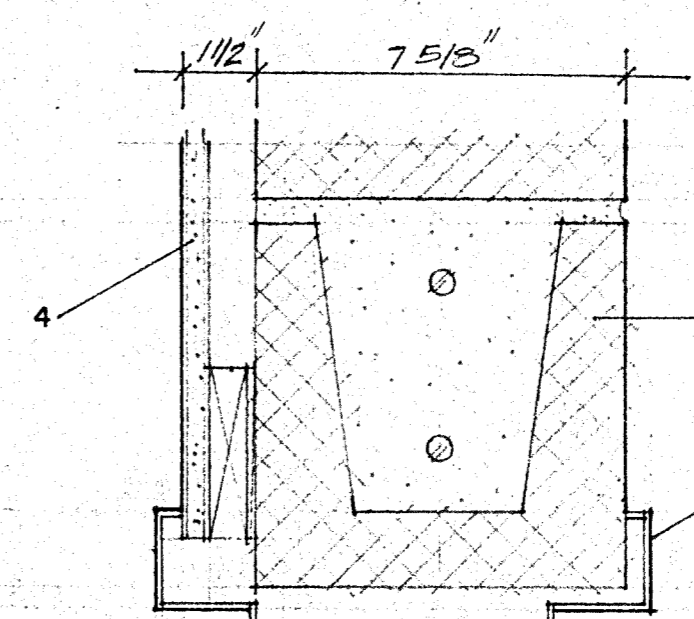
1211 Detail



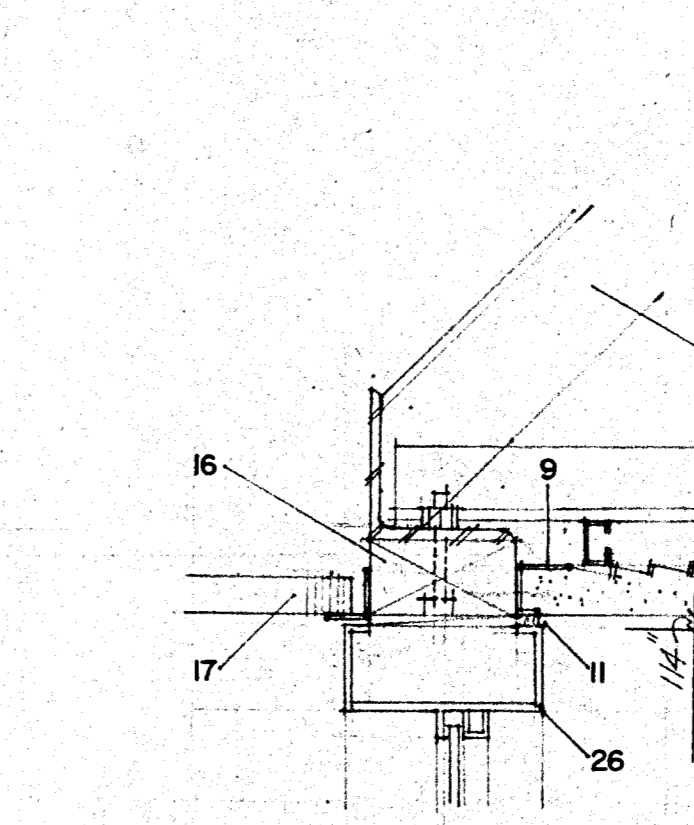
1210 Sill



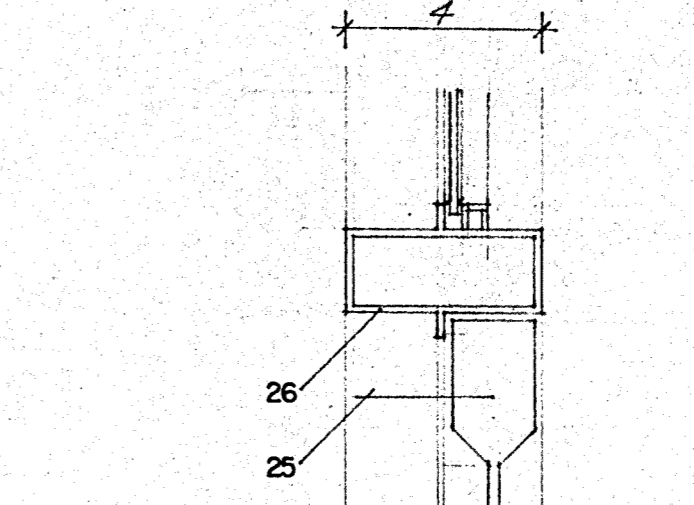
1204 Sill



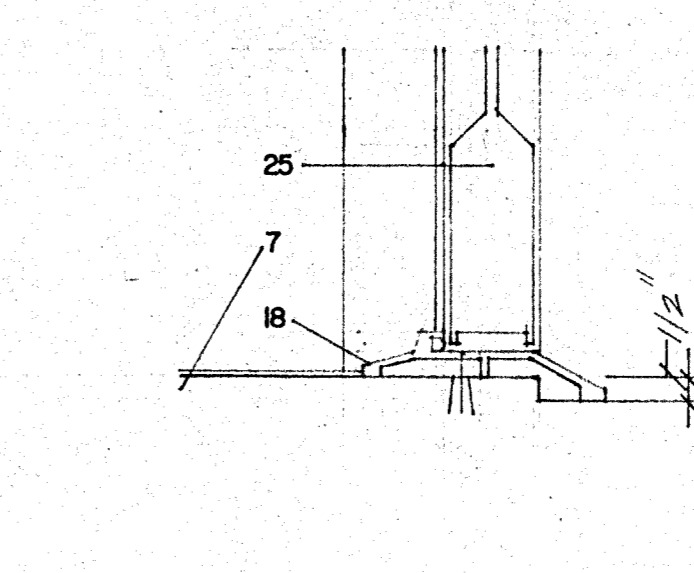
1207 Head



1203 Head



1202 Head



1201 Sill

ALL DETAILS THIS SHEET @ 3/8" SCALE



Additions and Alterations to the
Addison Municipal Center
 Addison, Texas

The O'Brien Corporation
 ARCHITECTURE + PLANNING
 ONE NORTH PARK EAST, SUITE 116
 DALLAS, TEXAS 75231
 214 696 1997