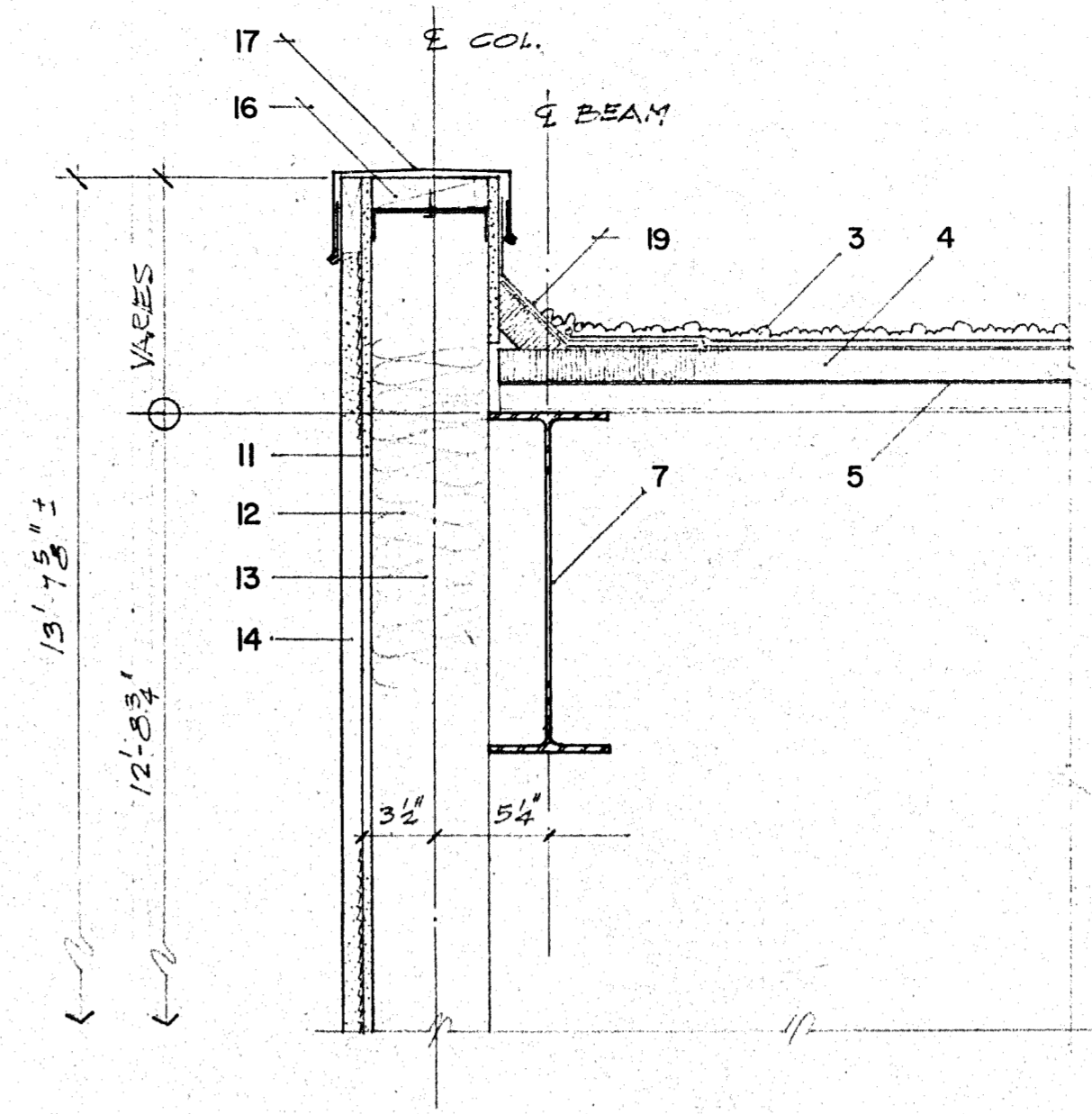
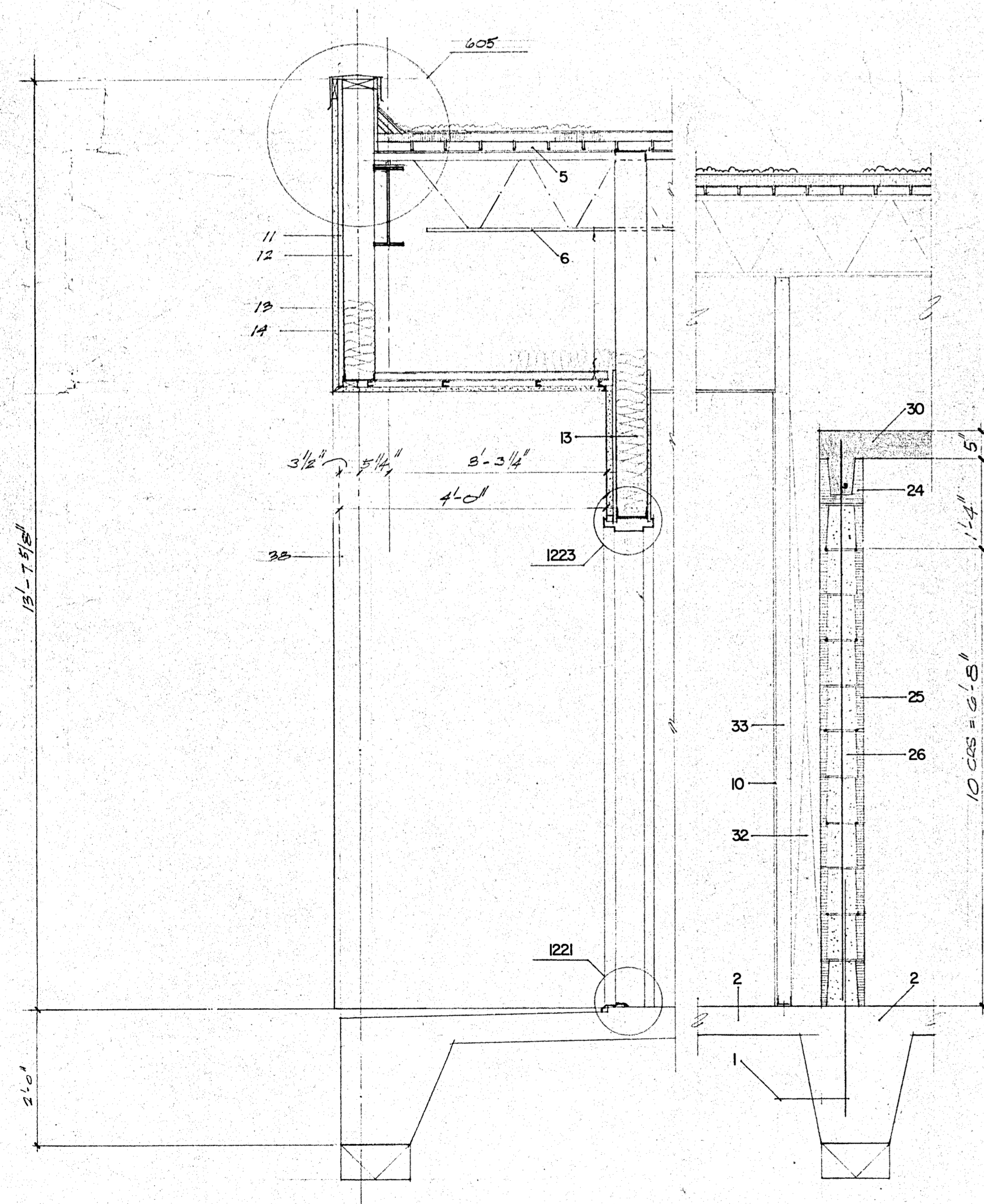


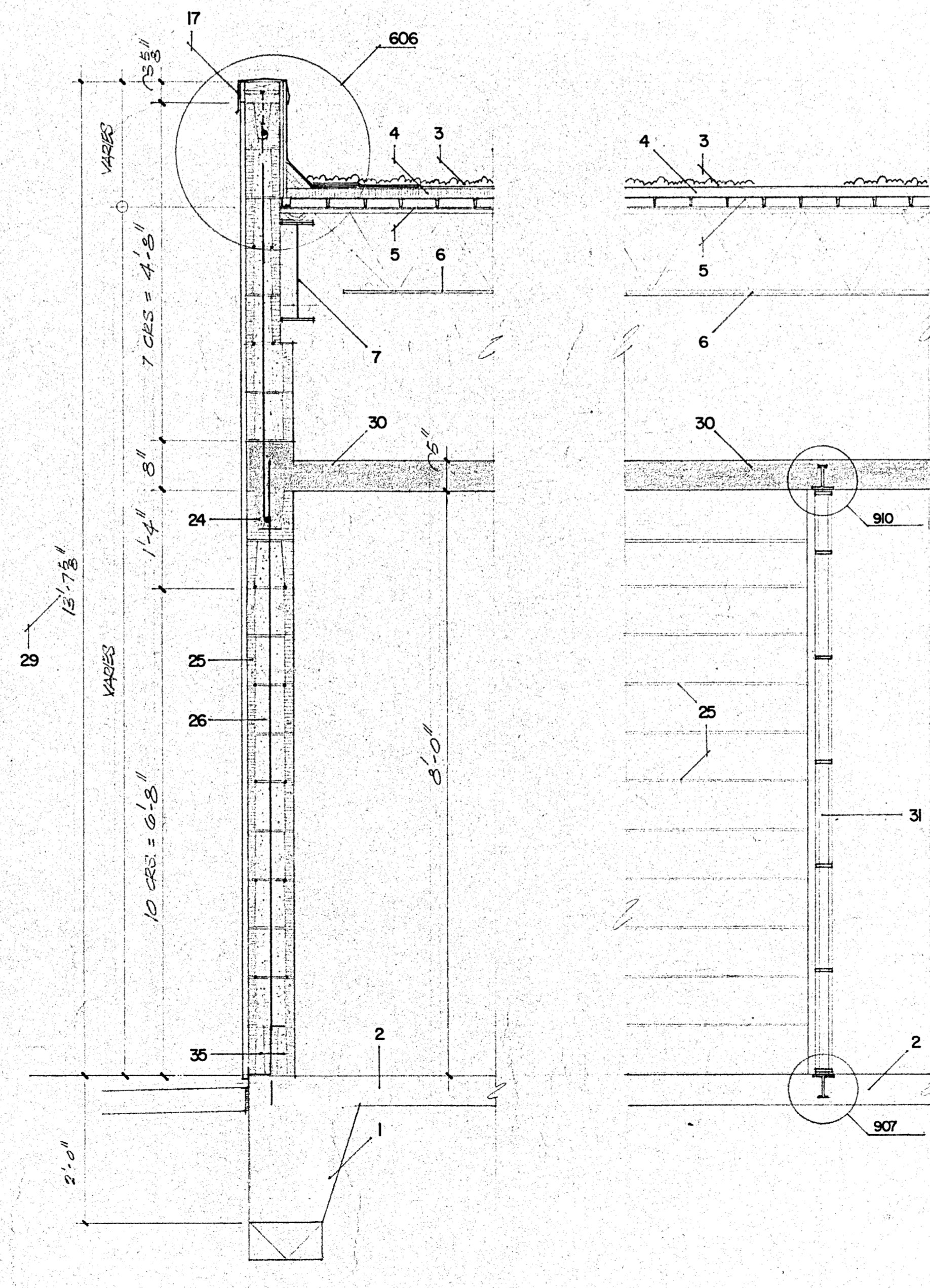
606 Det.
1/2" SCALE



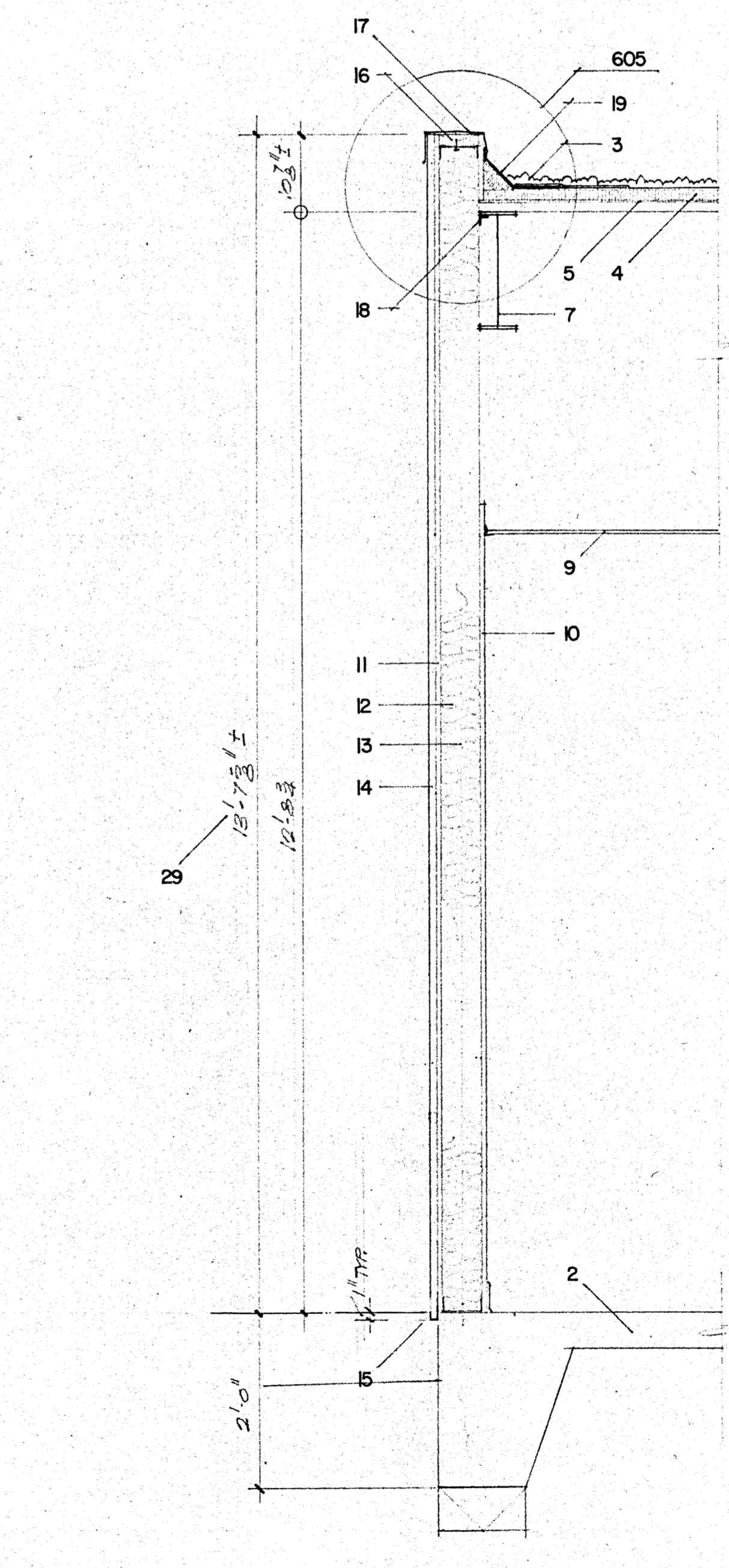
605 Det.
1/2" SCALE



604 Sec.
3/4" SCALE



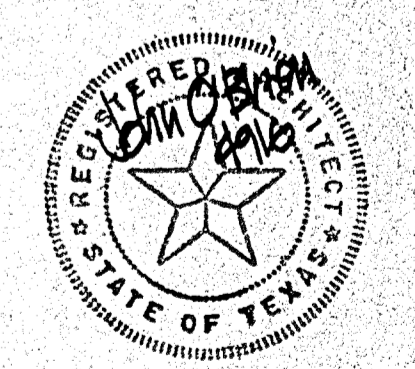
603 Sec.
3/4" SCALE



602 Sec.
3/4" SCALE

601 Sec.
3/4" SCALE

- Notes:
1. CONCRETE GRADE BEAM, SEE STRUCTURAL.
 2. 8" CONCRETE FLOOR SLAB.
 3. 3-PLY BUILT-UP ROOFING.
 4. 1 1/2" RIGID INSULATION WITH AN "R" VALUE OF 6.67 MINIMUM (FESCO FOAM BY JM OR EQUAL).
 5. METAL DECKING, SEE STRUCTURAL.
 6. STEEL JOIST, SEE STRUCTURAL.
 7. STEEL BEAM, SEE STRUCTURAL.
 8. MISCELLANEOUS STEEL FRAMING, SEE STRUCTURAL.
 9. SCHEDULED CEILING.
 10. 5/8" SYP. BD.
 11. 1/2" SYP. SHEATHING.
 12. 5/16" 20 GA. METAL STUDS.
 13. 5/16" 19 BATT INSULATION.
 14. CEMENT PLASTER WITH STUCCO FINISH. APPLY TO SELF-FURRING LATH WITH 1" GROUNDS, COLOR AND TEXTURE TO MATCH EXISTING.
 15. 7/8" GALVANIZED CASING BEAD.
 16. 2x6 PRESSURE TREATED WOLMANIZED PLATE, ANCHOR TO TOP TRACK AT 16" O.C.
 17. 24 GA. GALVANIZED COPING. EXTERIOR EXPOSED EDGE 5/8" TO MATCH EXISTING. PAINT TO MATCH EXISTING.
 18. CONTINUOUS ANGLE, ANCHOR EACH STUD.
 19. 5" FIBER CMT. STRIP.
 20. 3/8" EXTERIOR PLYWOOD ANCHOR SECURELY TO ITEM 22.
 21. ASPHALTIC IMPREGNATED FIBER BOARD.
 22. 6x6x16 C.H.U. WITH HORIZONTAL REINFORCING AT 16" O.C. VERTICALLY.
 23. 6x6x16 CONTINUOUS BOND BEAM WITH #5 BAR CONTINUOUS.
 24. 6x6x16 CONTINUOUS BOND BEAM WITH #5 BAR CONTINUOUS.
 25. 6x6x16 C.H.U. WITH HORIZONTAL REINFORCING @ 16" O.C. VERTICALLY. FILL ALL CELLS WITH HARD ROCK CONCRETE.
 26. #3 BARS @ 48" O.C.
 27. 2x6 PRESSURE TREATED WOLMANIZED S.V.P. PLATE.
 28. 2x6 PRESSURE TREATED WOLMANIZED S.V.P. PLATE, ANCHOR TO BOND BEAM WITH 1/2" DIA. A.B. @ 48" O.C. (MIN. 2 PER PLATE).
 29. NEW PARAPET ELEVATION TO MATCH EXISTING. GIVEN DIMENSIONS ARE TO BE VERIFIED AND ARCHITECT SHALL BE NOTIFIED OF ANY DISCREPANCIES.
 30. 5" REINFORCED CONCRETE ABOVE JAIL CELLS, SEE STRUCTURAL.
 31. RELOCATE GRATING AND APPURTENANCES FROM EXISTING JAIL CELL. CONTRACTOR SHALL VERIFY AND COORDINATE ALL NEW AND EXISTING DIMENSIONS TO ASSURE PROPER INSTALLATION.
 32. PLUMBING CHASE.
 33. 2 1/2" METAL STUDS @ 24" O.C.
 34. 5x8x16 C.H.U.
 35. 4x8x16 C.H.U.
 36. THRU WALL FLASHING.
 37. CEMENT PLASTER SOFFIT WITH STUCCO FINISH. APPLY TO 3/4" FURRING CHANNELS AND LATH WITH 1" GROUNDS, COLOR AND TEXTURE TO MATCH EXISTING.
 38. BUILDING LINE.



Additions and Alterations to the
Addison Municipal Center
 Addison, Texas

The O'Brien Corporation
 ARCHITECTURE + PLANNING
 ONE NORTH PARK EAST, SUITE 116
 DALLAS, TEXAS 75231
 214 696 1997