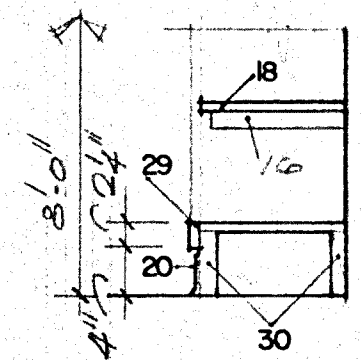
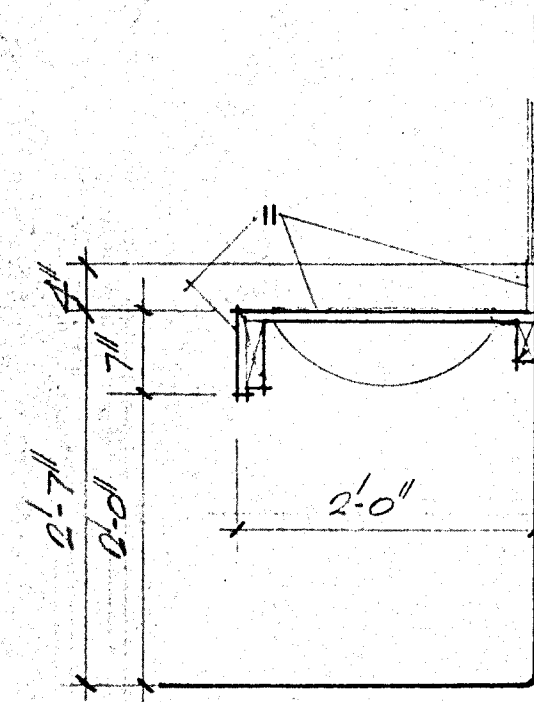
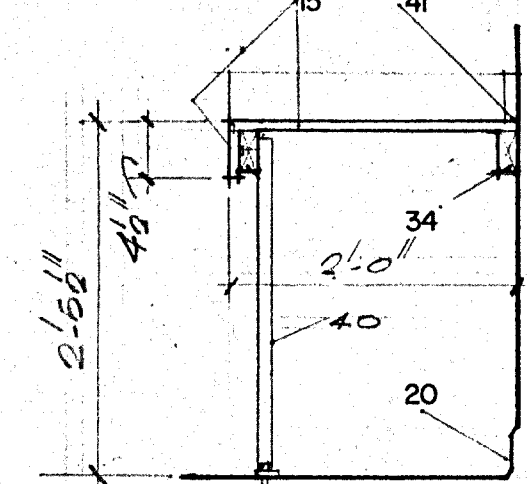


824 Sec.
3/4" SCALE

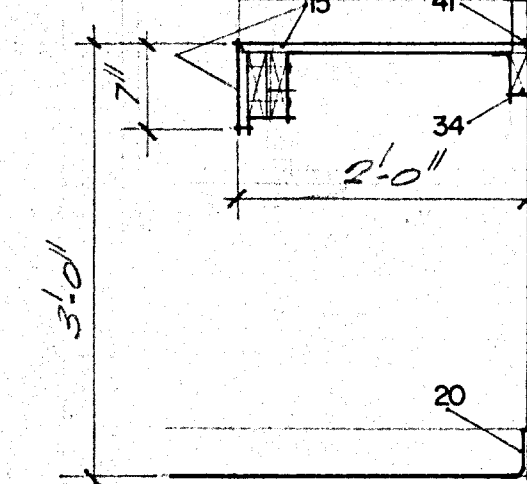


822 Sec.
3/4" SCALE

821 Sec.
3/4" SCALE

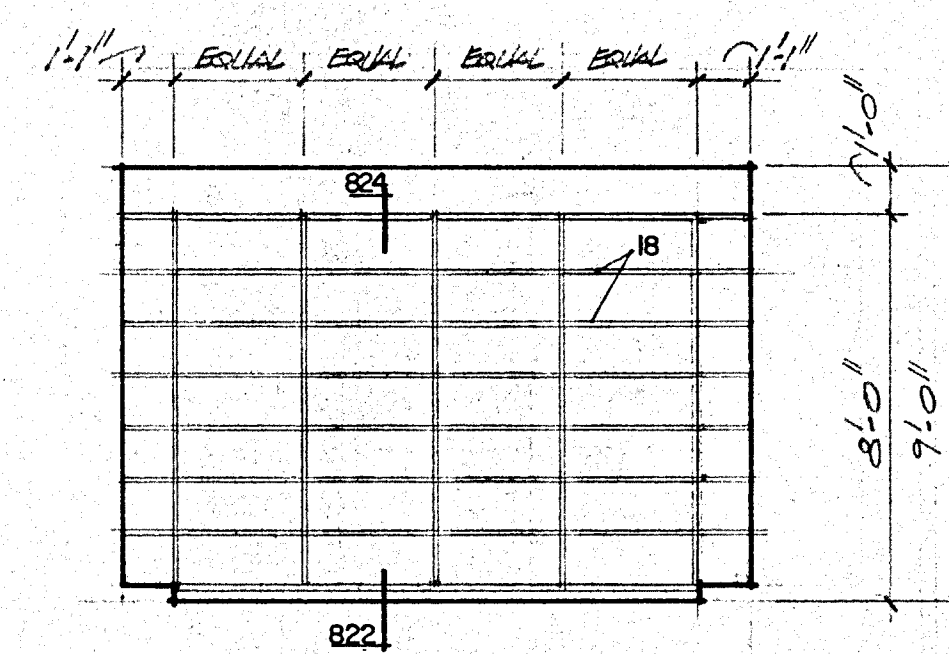
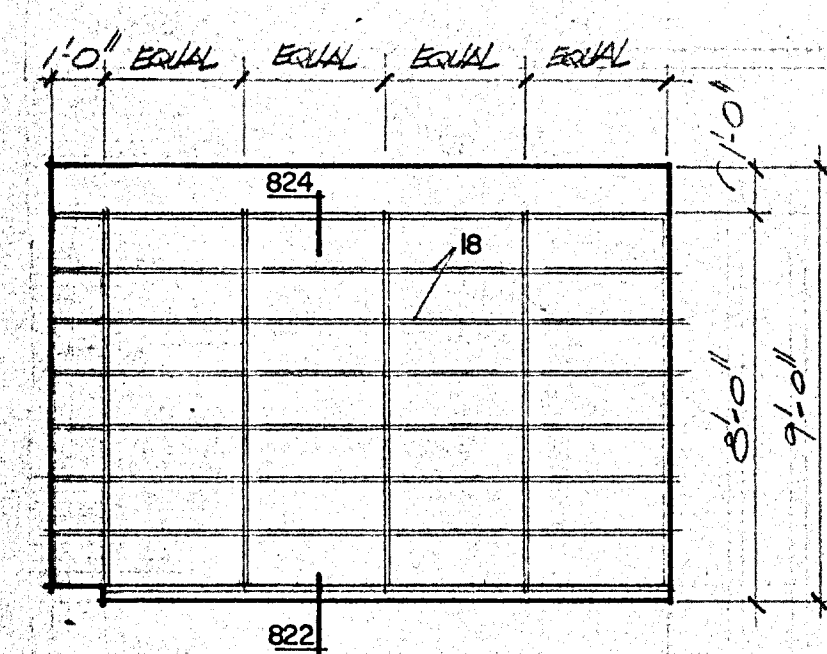
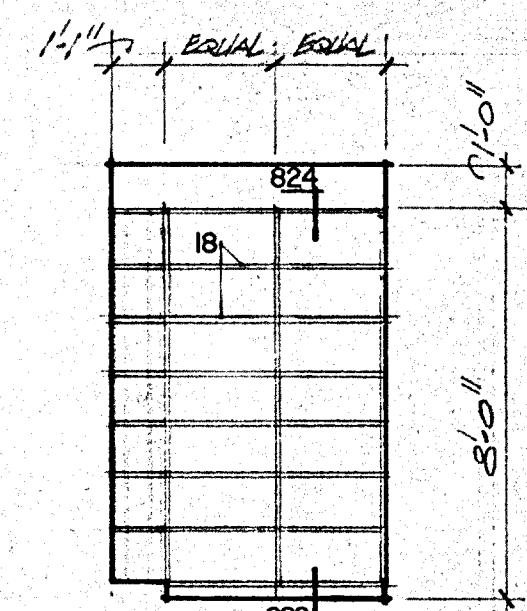
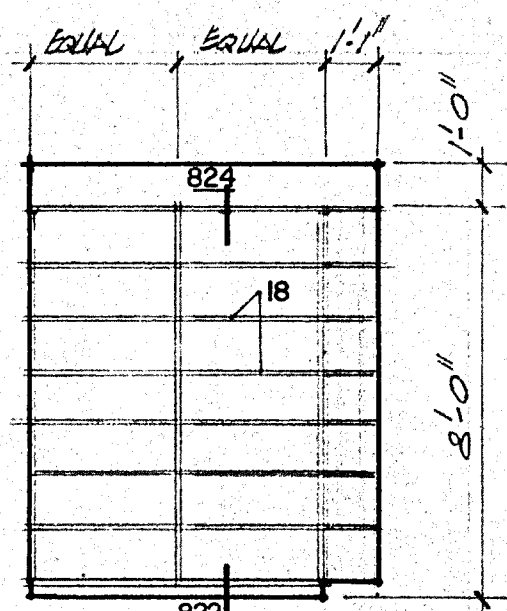
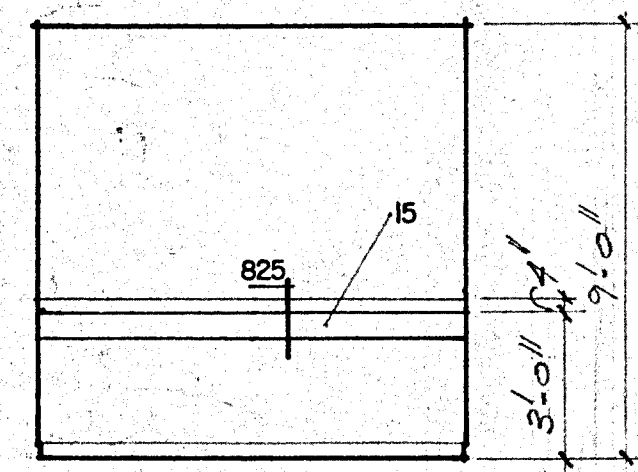


826 Sec.
3/4" SCALE



825 Sec.
3/4" SCALE

- 1.) TOILET PAPER HOLDER, STAINLESS STL., SURFACE M.T.D., SINGLE ROLL.
- 2.) LIQUID SOAP DISPENSER, STAIN. STL., WALL MOUNTED, PUMP TYPE.
- 3.) PAPER TOWEL DISPENSER, STAIN. STL., SURFACE MOUNT, C-FOLD TYPE.
- 4.) 18"X24" GLASS MIRROR W/ STAIN. STL. CHANNEL FRAME.
- 5.) NOT USED.
- 6.) SHOWER DOOR, SEE SCHEDULE.
- 7.) NOT USED.
- 8.) TOILET PARTITION.
- 9.) STL. LOCKERS BY OWNER (N.I.C.).
- 10.) WOOD KITCHEN CABINET, COLOR AND FINISH AS SELECTED BY ARCHITECT.
- 11.) PLASTIC LAMINATE TOP, EDGE AND SPLASH, COLOR AS SELECTED BY ARCHITECT.
- 12.) DRAWER.
- 13.) FIXED PANEL.
- 14.) REFRIGERATOR SPACE (REFRIGERATOR BY OWNER).
- 15.) PLASTIC LAMINATE TOP AND EDGE, COLOR AS SELECTED BY ARCHITECT.
- 16.) 1"X2" WOOD CLEATS.
- 17.) NOT USED.
- 18.) 3/4" FIXED PARTICLE BOARD SHELVING. (EDGE BAND FRONT EDGE) (PAINTED)
- 19.) NOT USED.
- 20.) RUBBER BASE.
- 21.) NOT USED.
- 22.) NOT USED.
- 23.)
- 24.)
- 25.)
- 26.)
- 27.)
- 28.)
- 29.) 1"X2" WOOD TRIM.
- 30.) 2"X6" FRAMING.
- 31.) 2"X4" FRAMING.
- 32.) NOT USED.
- 33.) NOT USED.
- 34.) 2"X4" CONTINUOUS.
- 35.) NOT USED.
- 36.) 3/4" PLYWOOD BASE.
- 37.) CERAMIC TILE, SEE FINISH SCHEDULE.
- 38.) NOT USED.
- 39.) NOT USED.
- 40.) TS. 1X1 3/16 W/ 2-3/8" EXP. BOLTS IN SLAB.
- 41.) SCRIBE TOP TO WALL.



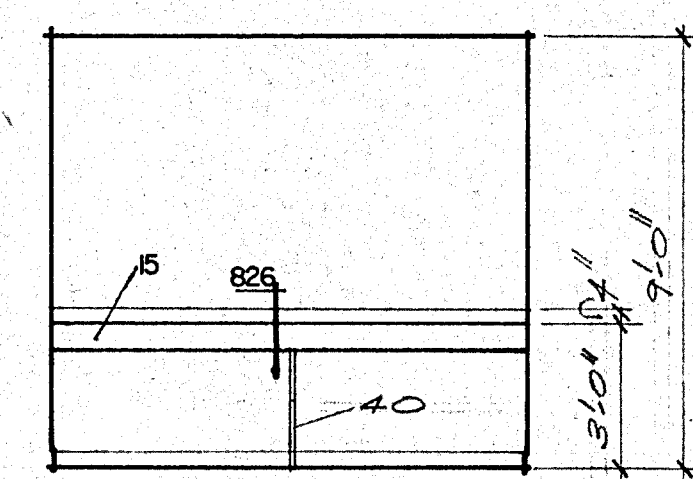
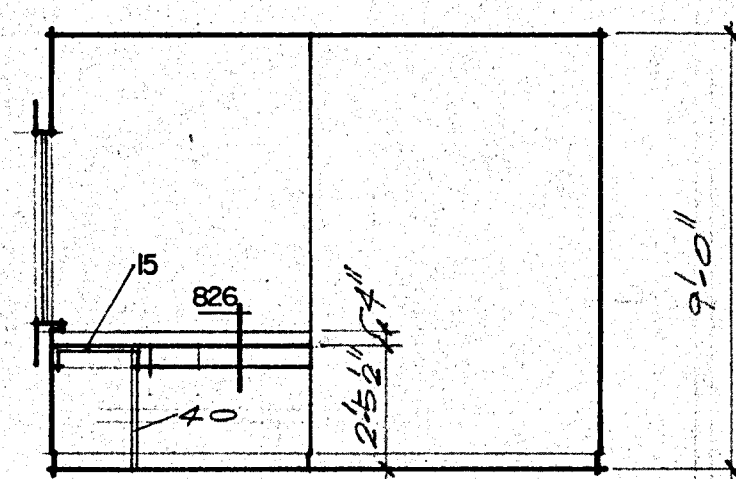
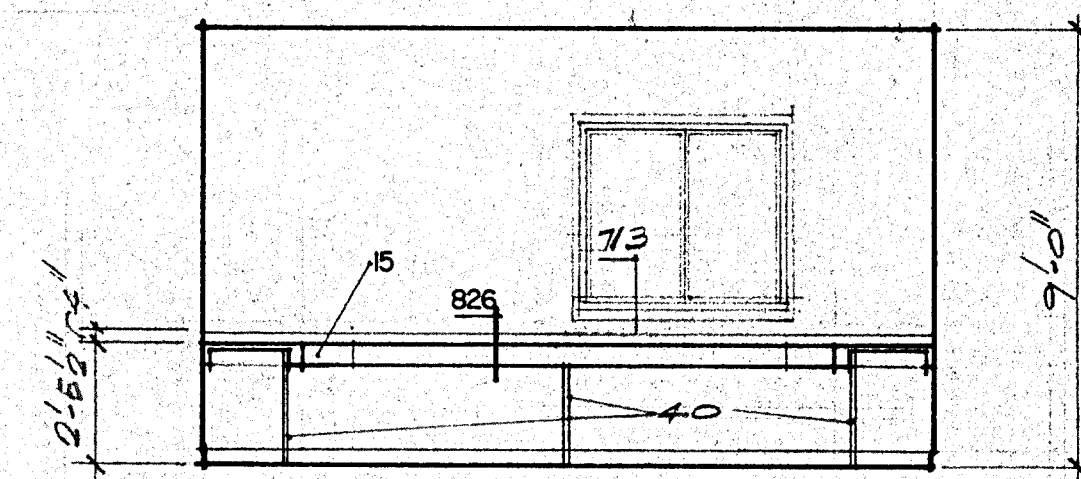
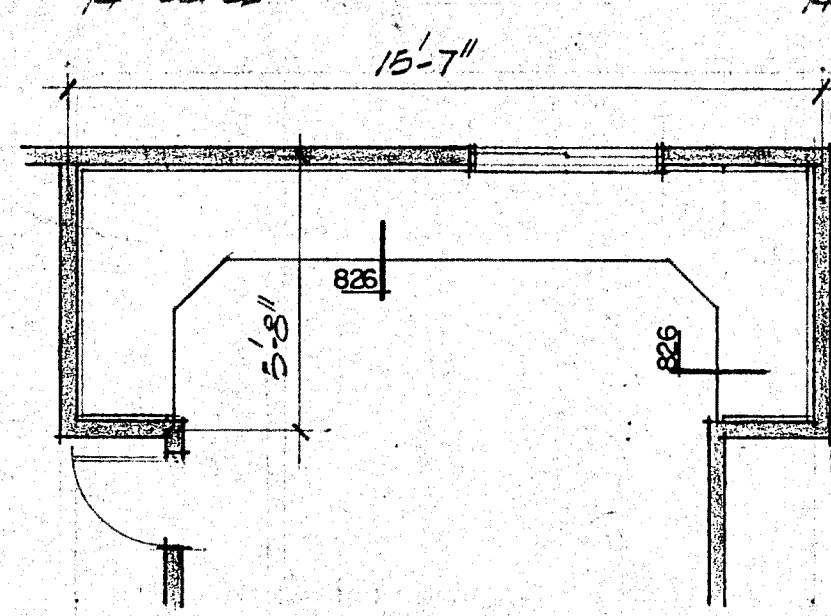
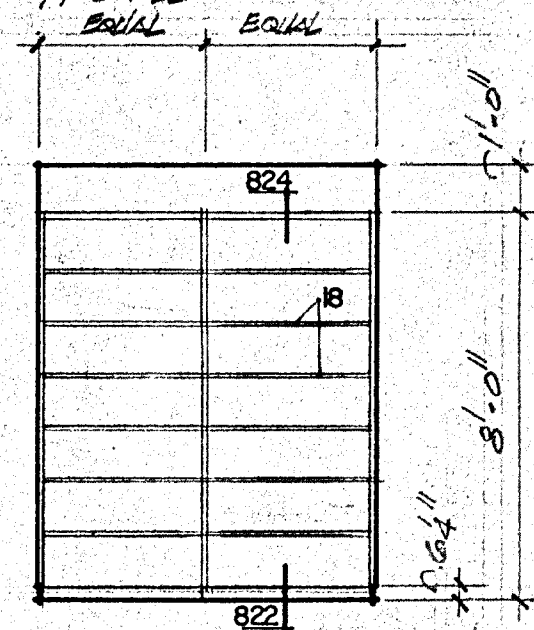
816 Elev.
1/4" SCALE

815 Elev.
1/4" SCALE

814 Elev.
1/4" SCALE

812 Elev.
1/4" SCALE

811 Elev.
1/4" SCALE



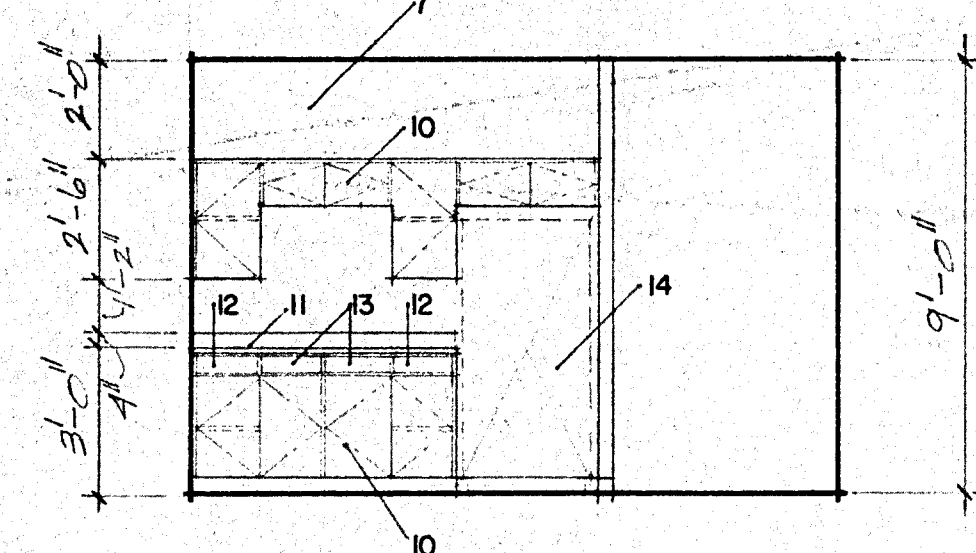
810 Elev.
1/4" SCALE

809 Plan
1/4" SCALE

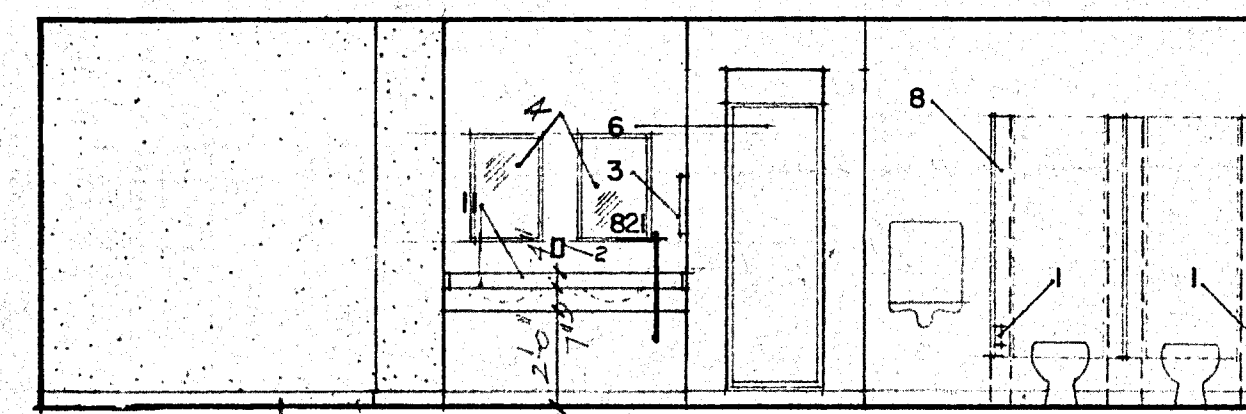
808 Elev.
1/4" SCALE

807 Elev.
1/4" SCALE

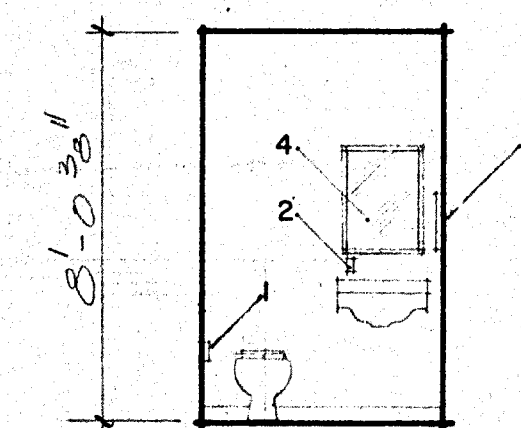
806 Elev.
1/4" SCALE



805 Elev.
1/4" SCALE



802 Elev.
1/4" SCALE



801 Elev.
1/4" SCALE



Additions and Alterations to the
Addison Municipal Center
Addison, Texas

The O'Brien Corporation
ARCHITECTURE + PLANNING
ONE NORTH PARK EAST, SUITE 116
DALLAS, TEXAS 75231
214 696 1997