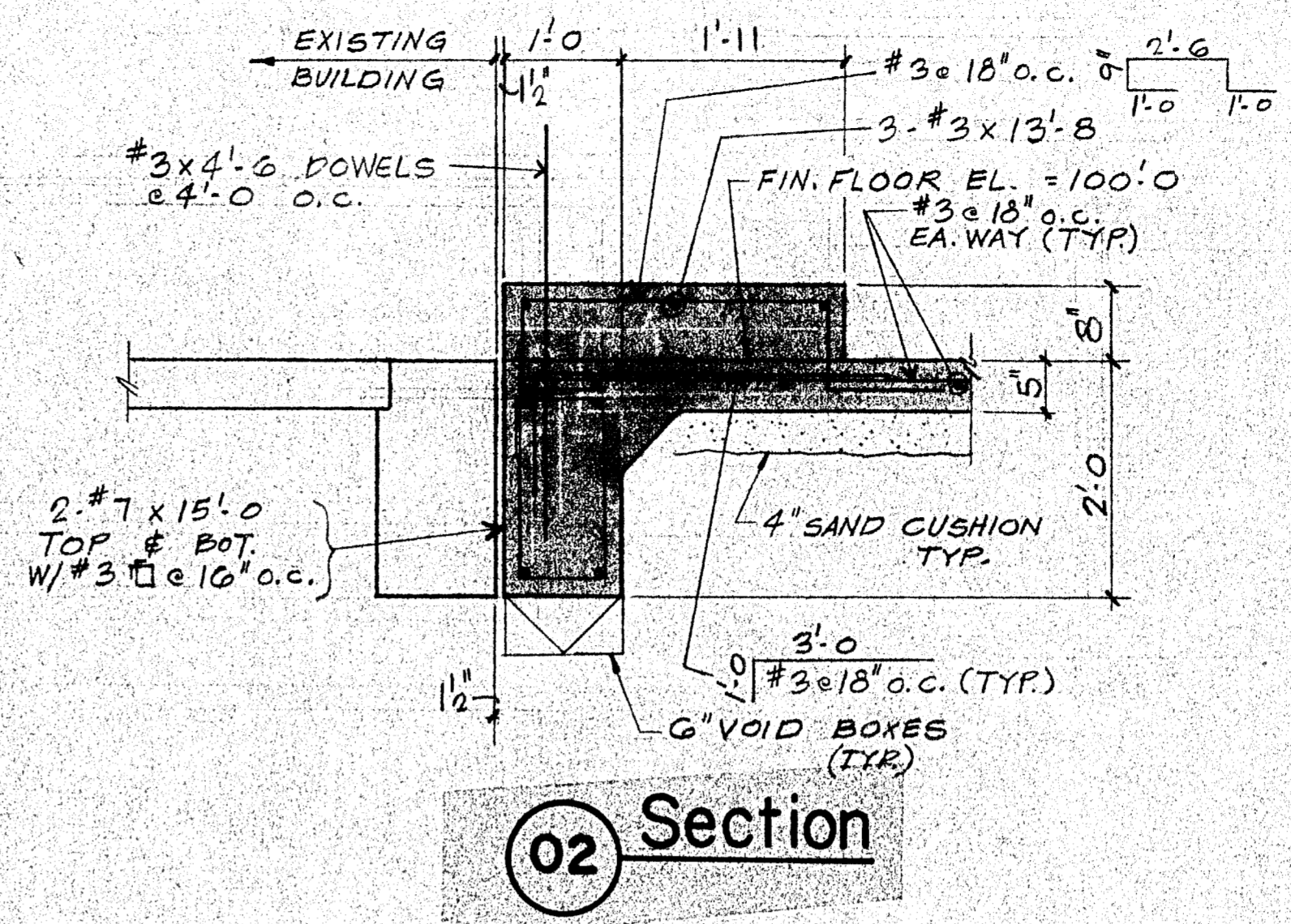
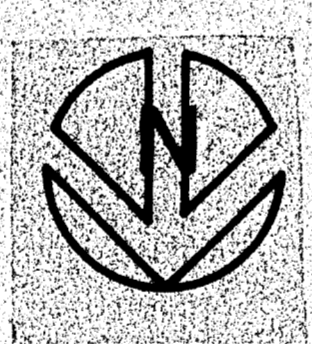
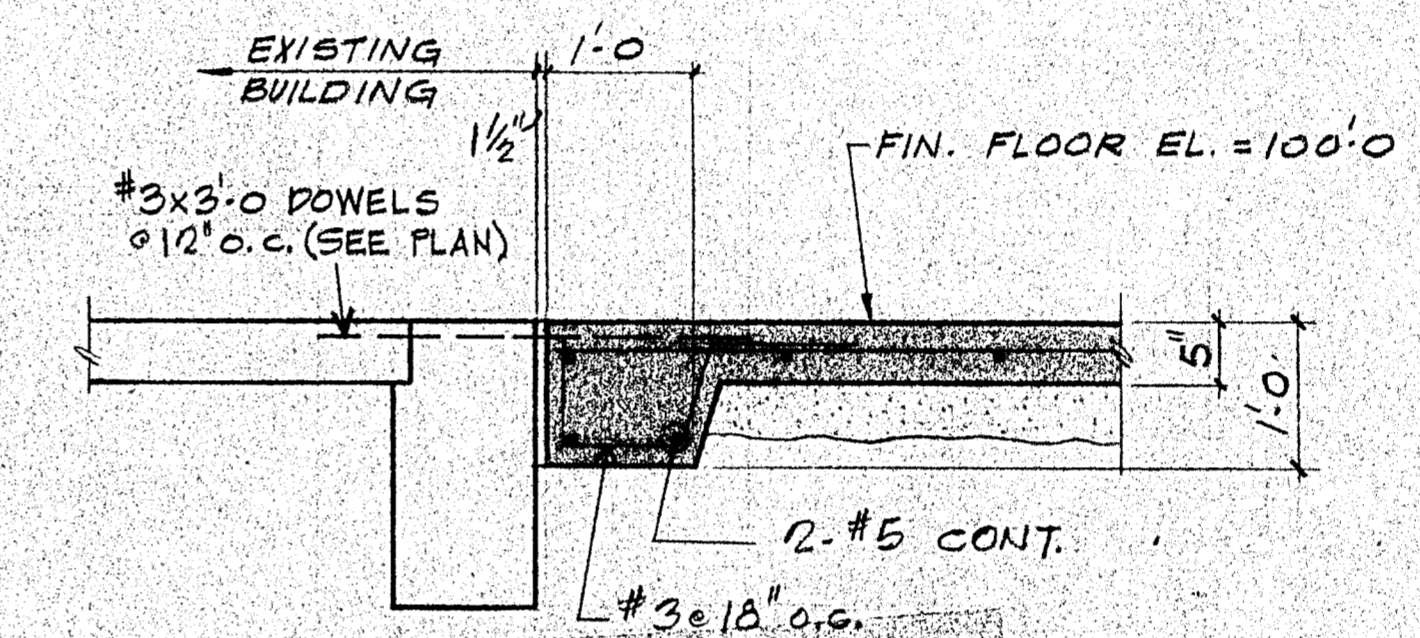


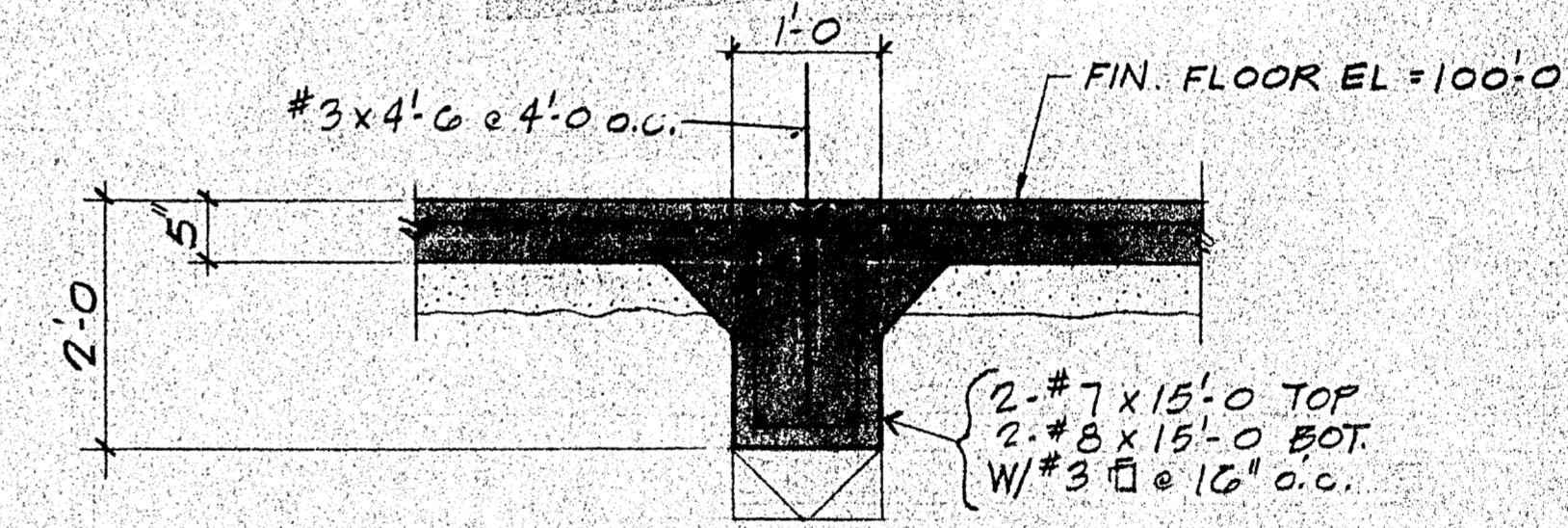
01 Foundation & Floor Plan
SCALE: 1/8" = 1'-0"



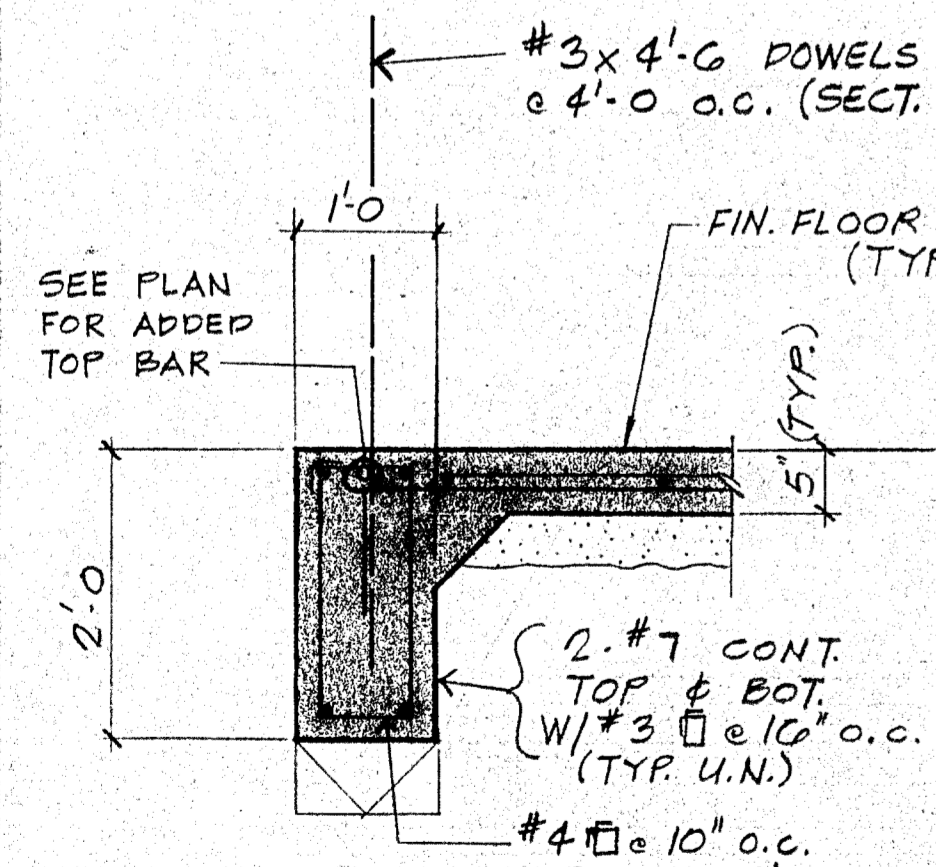
02 Section



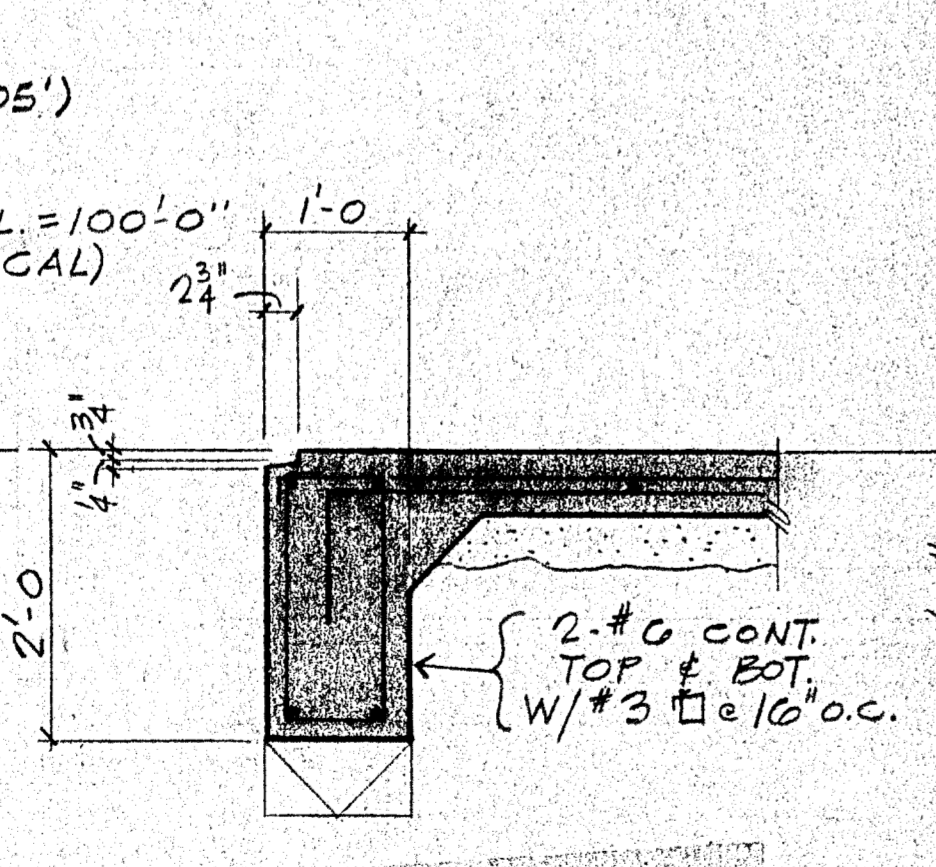
03 Section



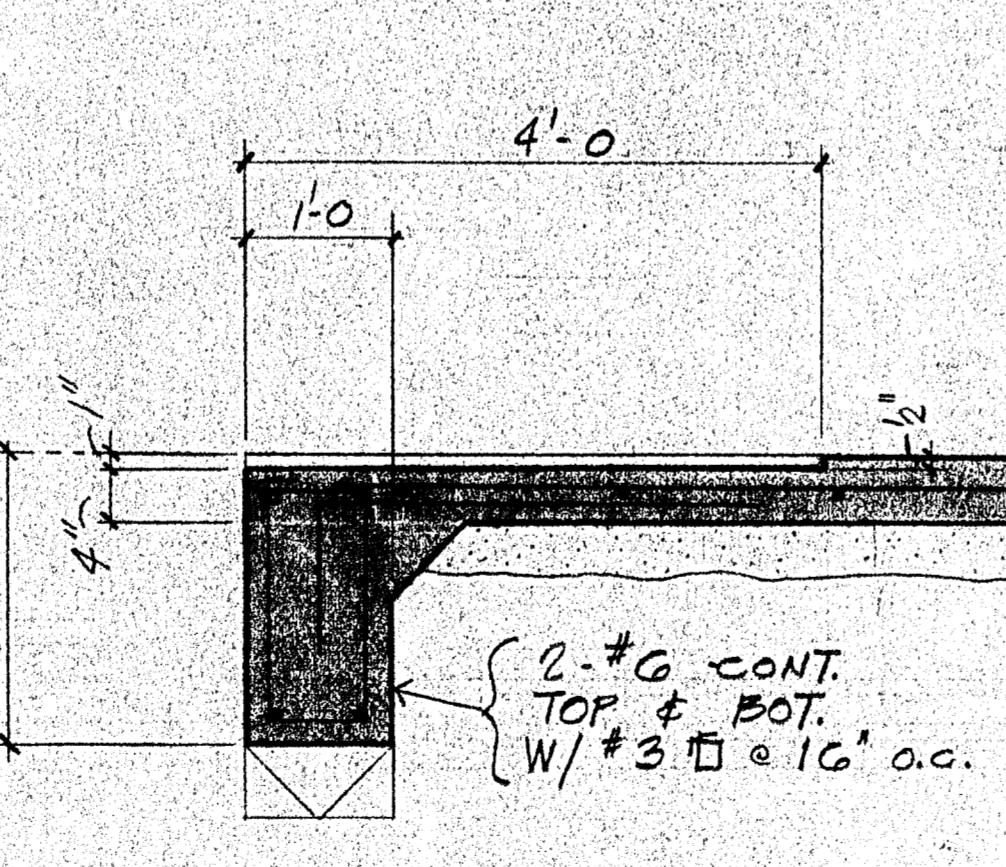
04 Section



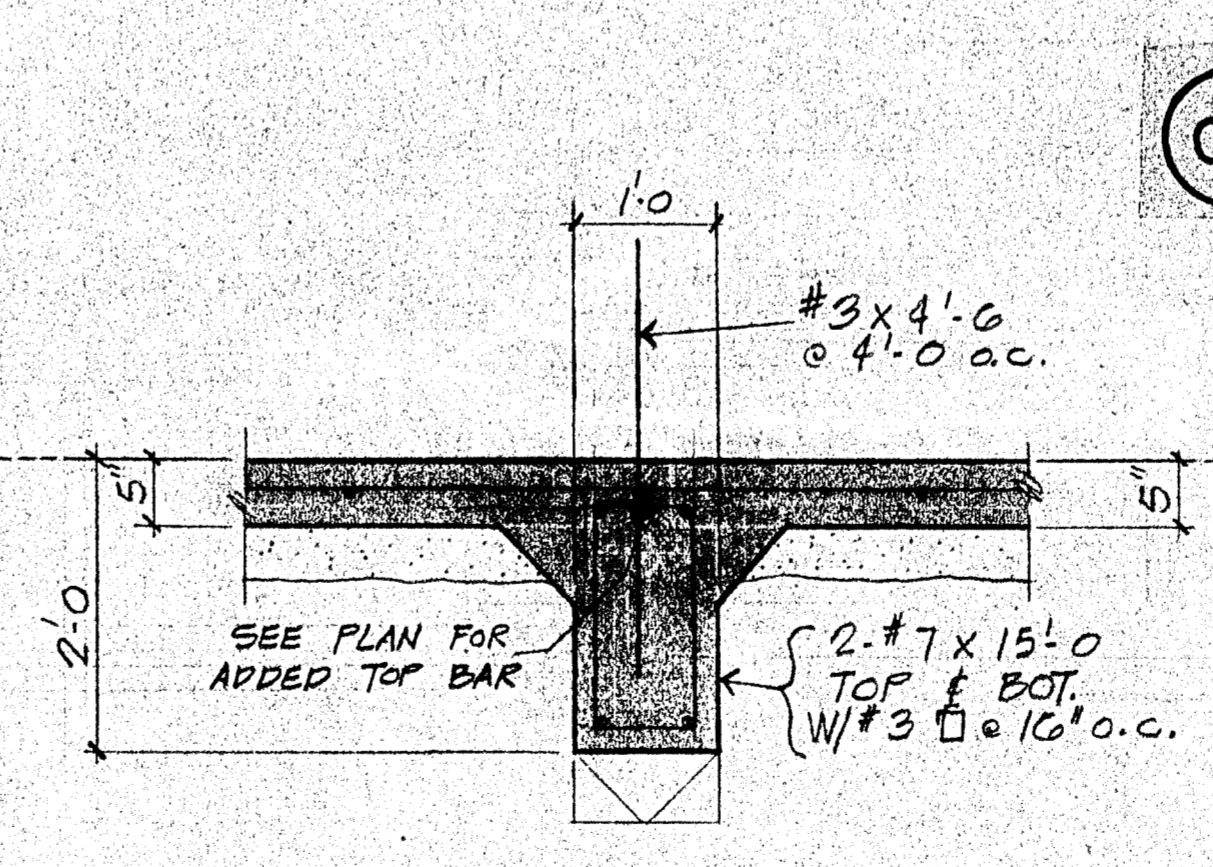
05 Section



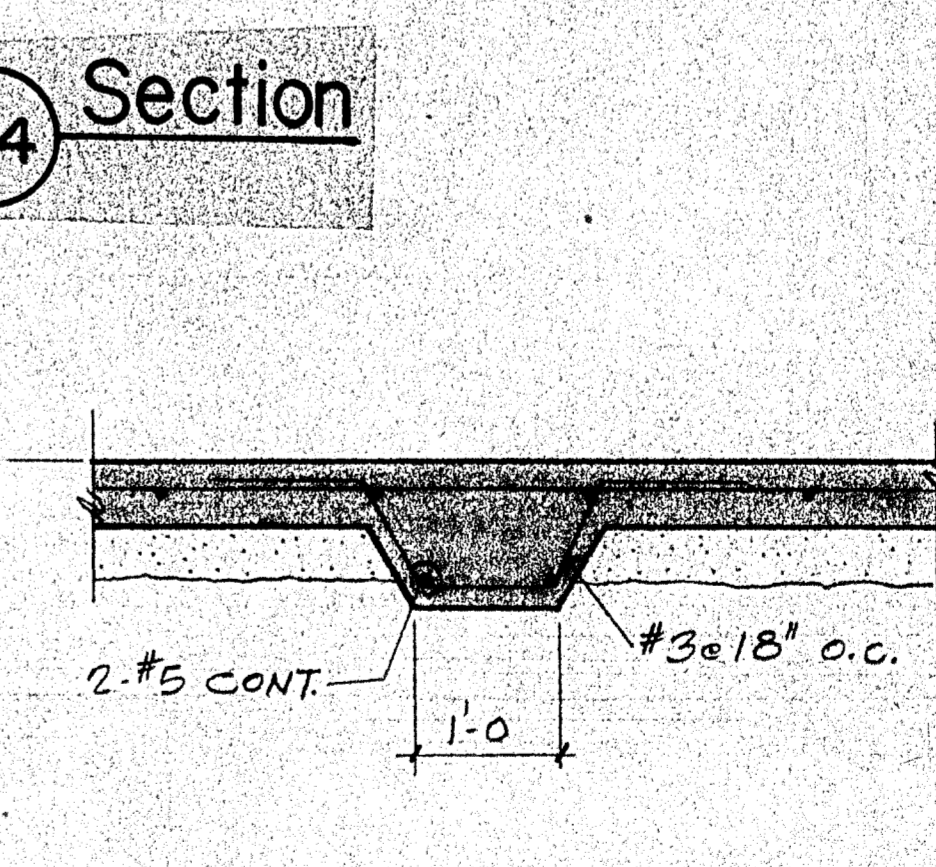
06 Section



07 Section



08 Section



09 Section

- Notes:
1. ALL STEEL COLUMNS SHALL BE 4" DIAMETER STANDARD PIPE COLUMNS WITH 3/4" BASE PLATES. SEE SHEET S-1 FOR BASE PLATE DETAILS.
 2. ALL PIERS SHALL BE 18" DIAMETER PIERS WITH A MINIMUM OF 3'-0" PENETRATION INTO THE GRAY LIMESTONE UNLESS OTHERWISE NOTED BY *. ALL PIERS NOTED *, SHALL BE 24" DIAMETER PIERS WITH A MINIMUM OF 3'-0" PENETRATION INTO THE GRAY LIMESTONE. SEE SHEET S-1 FOR TYPICAL PIER DETAIL.

Hunt/Leslie/Associates
Consulting Engineers
6060 N. Central - Suite 631
Dallas, Texas
214-369-5753

Additions and Alterations to the
Addison Municipal Center
Addison, Texas

The O'Brien Corporation
ARCHITECTURE + PLANNING
ONE NORTH PARK EAST, SUITE 116
DALLAS, TEXAS 75231
214 696 1397