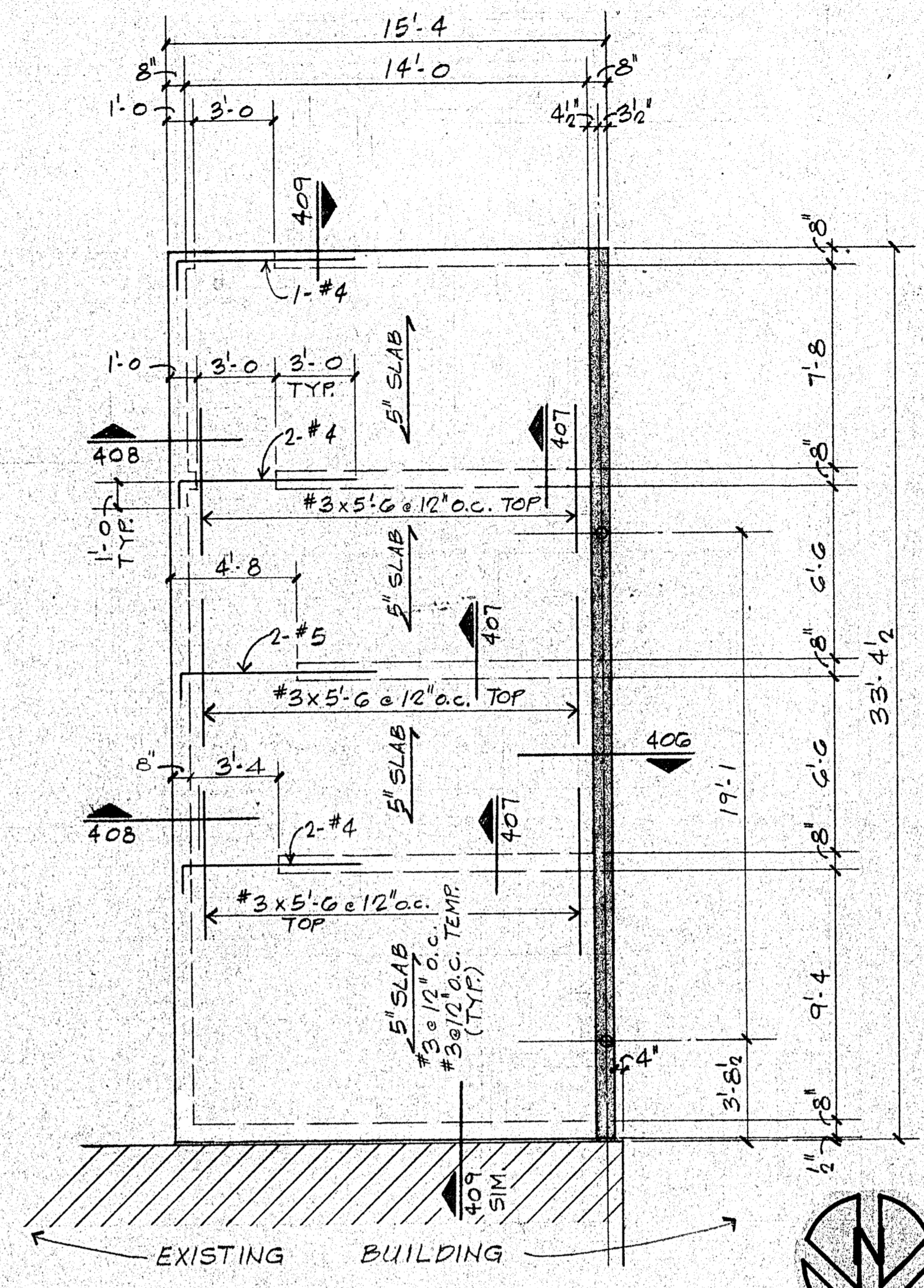
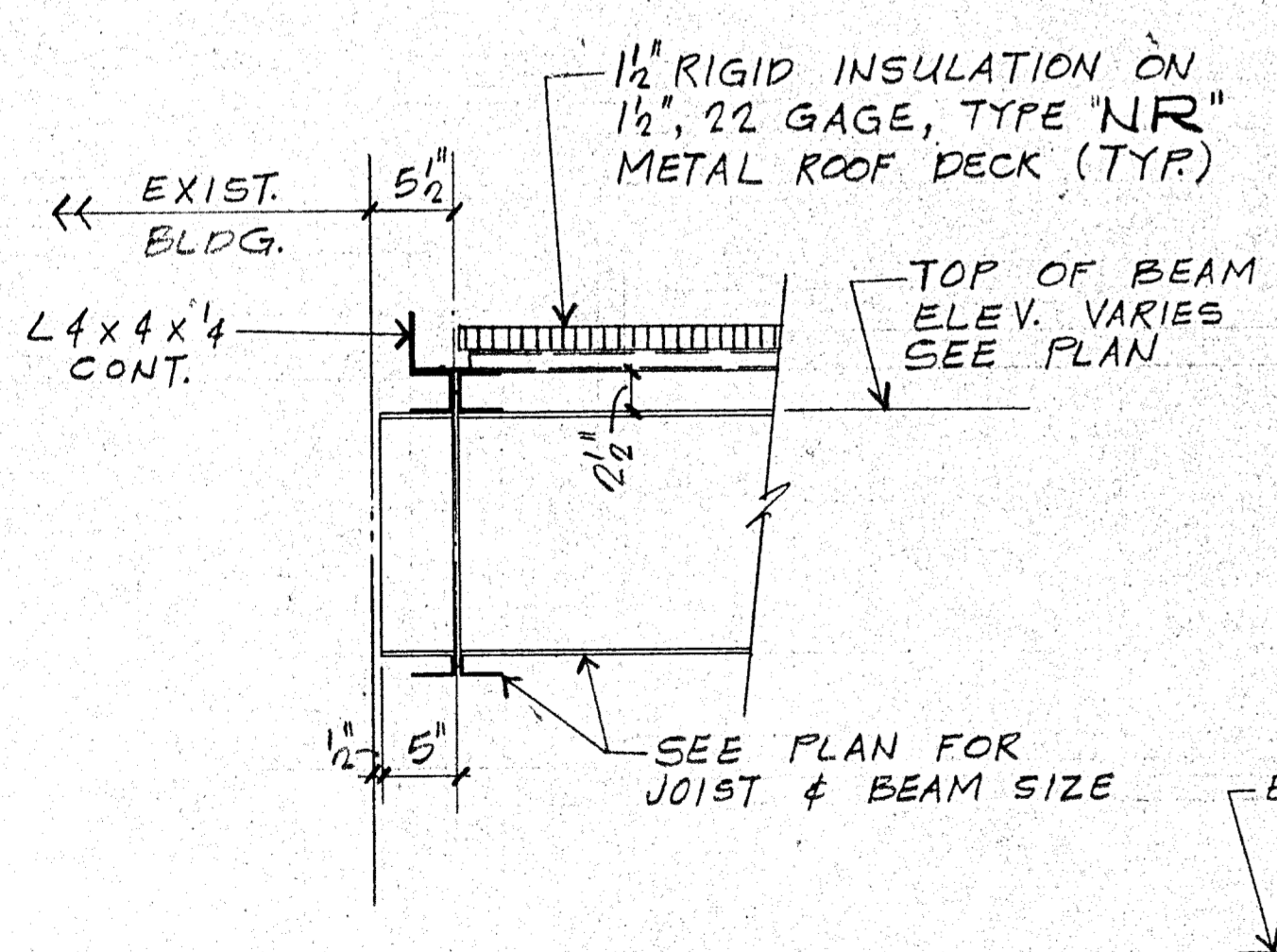


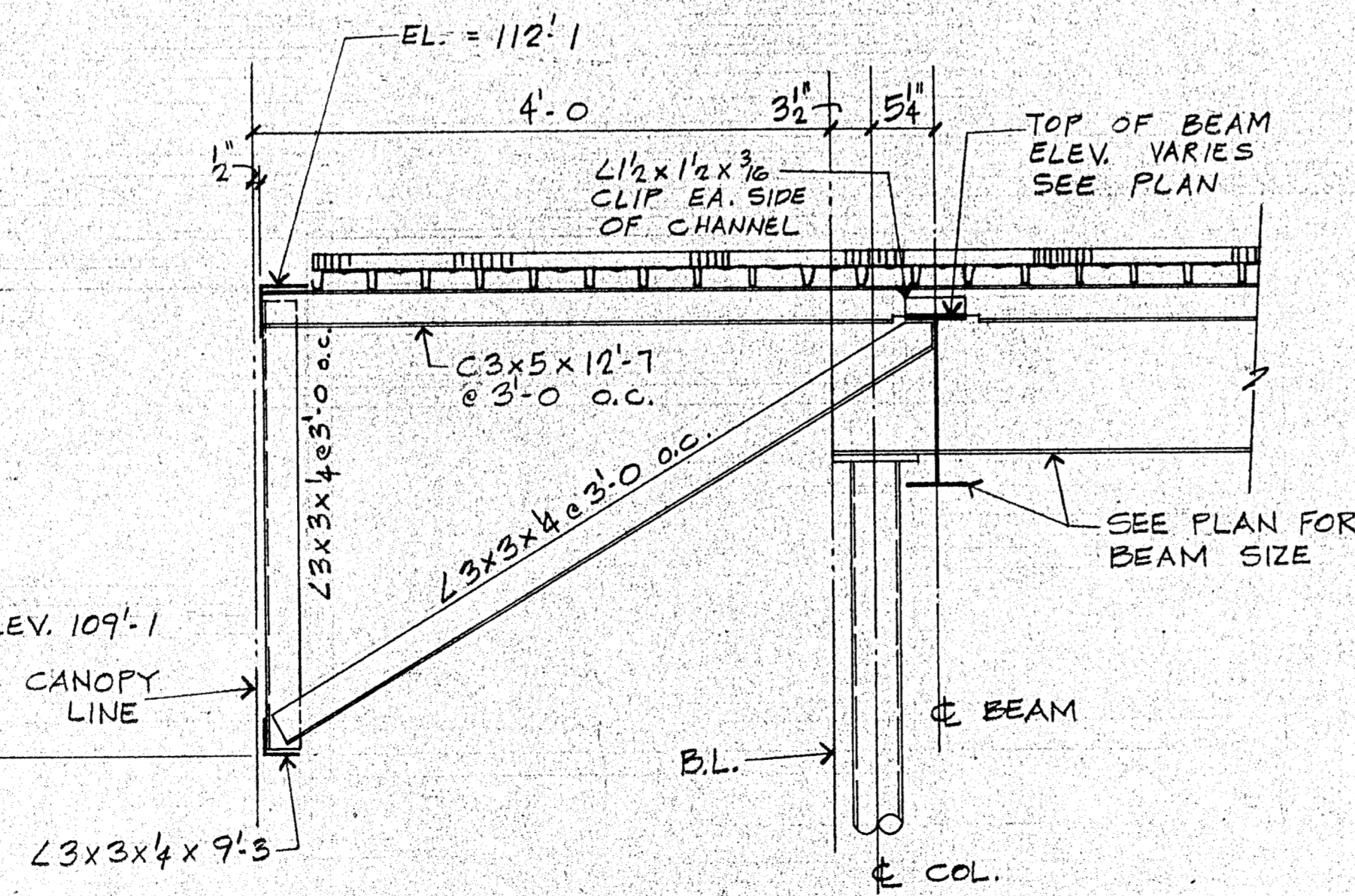
01 Roof Framing Plan  
SCALE: 1/8" = 1'-0"



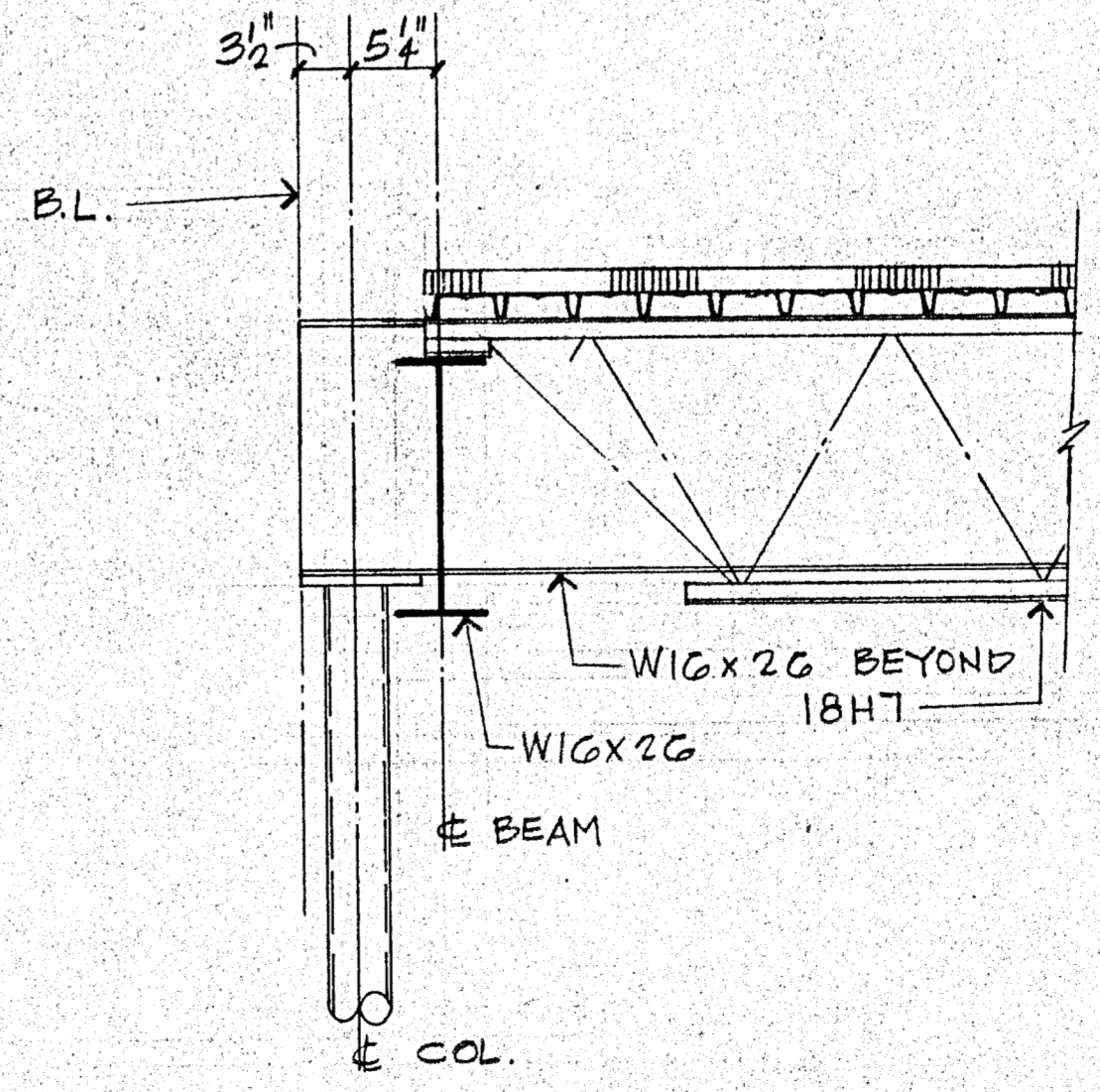
02 Jail Cells Roof Framing Plan



03 Section



04 Section



05 Section

- Notes:
1. ALL STANDARD X-BRIDGING & HORIZONTAL BRIDGING SHALL BE 1 1/4" x 1 1/4" x 1/8".
  2. ALL COLUMNS SHALL BE 4" DIAMETER STANDARD PIPE COLUMNS. SEE NOTE 1., SHEET S-2.
  3. PROVIDE 4"x4" 1/4" ANGLE FRAMES AROUND ROOF OPENINGS AND UNDER ALL ROOF MOUNTED UNITS. REFER TO MECHANICAL AND/OR ARCHITECTURAL FOR SIZE AND LOCATION.

**Hunt/Leslie/Associates**  
Consulting Engineers  
6060 N. Central - Suite 631  
Dallas, Texas  
214-369-5753

Additions and Alterations to the  
**Addison Municipal Center**  
Addison, Texas

**The O'Brien Corporation**  
ARCHITECTURE + PLANNING  
ONE NORTH PARK EAST, SUITE 116  
DALLAS, TEXAS 75231  
214-696-1997