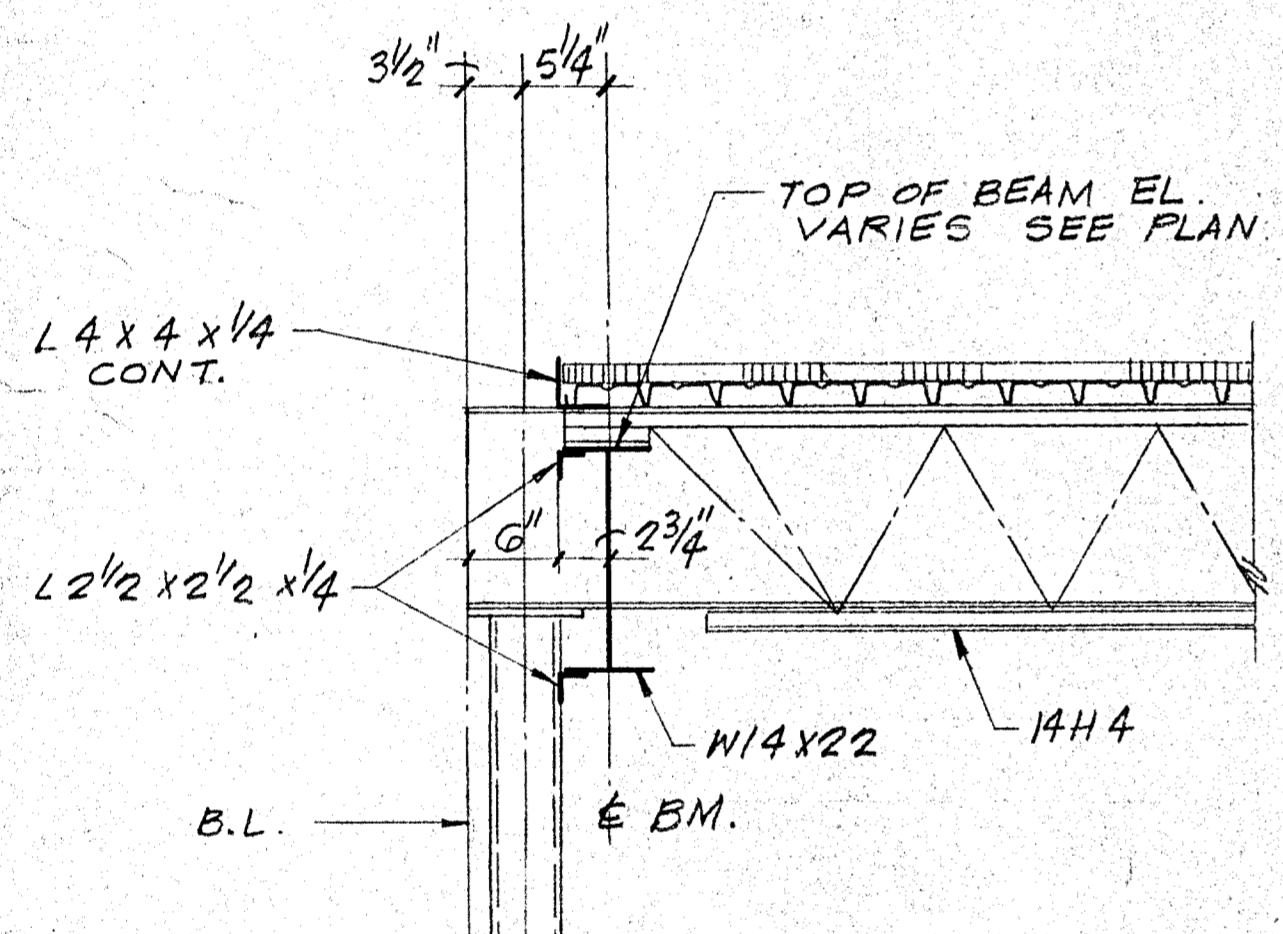
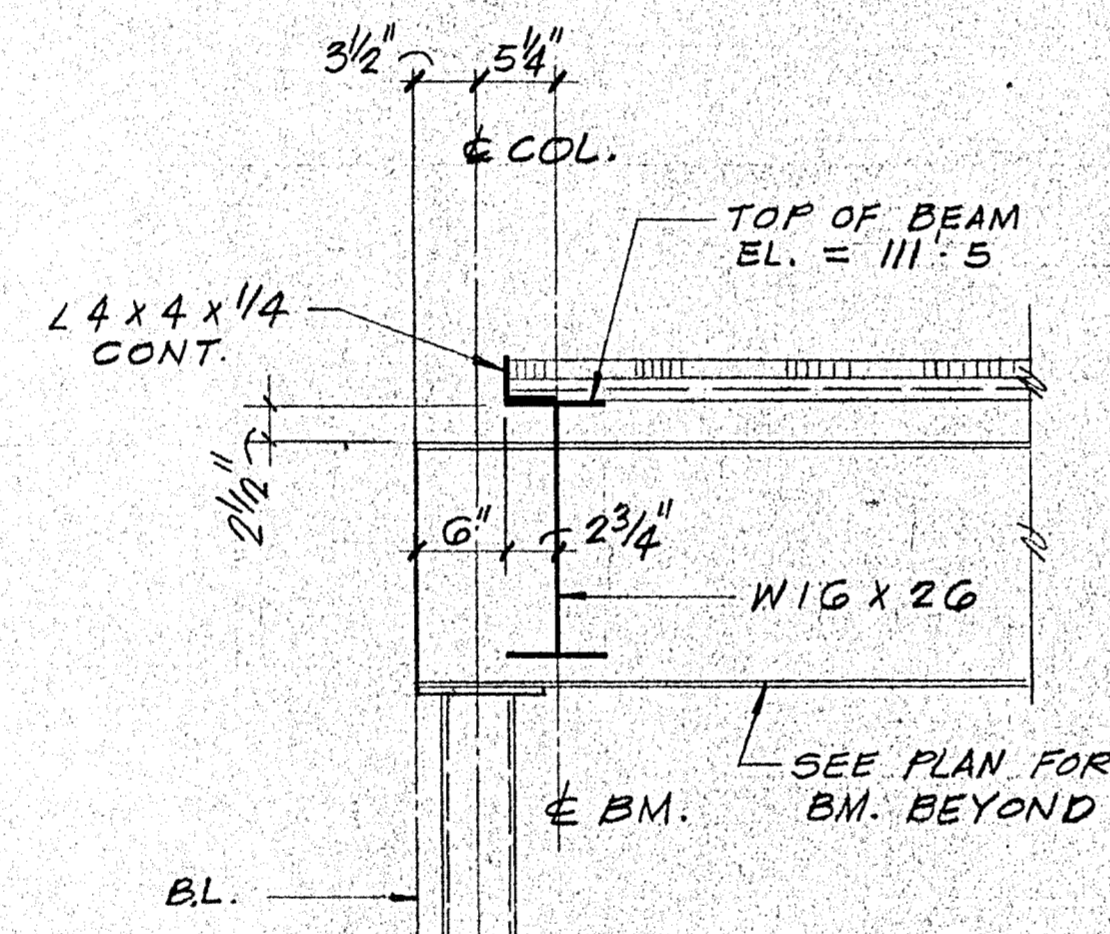


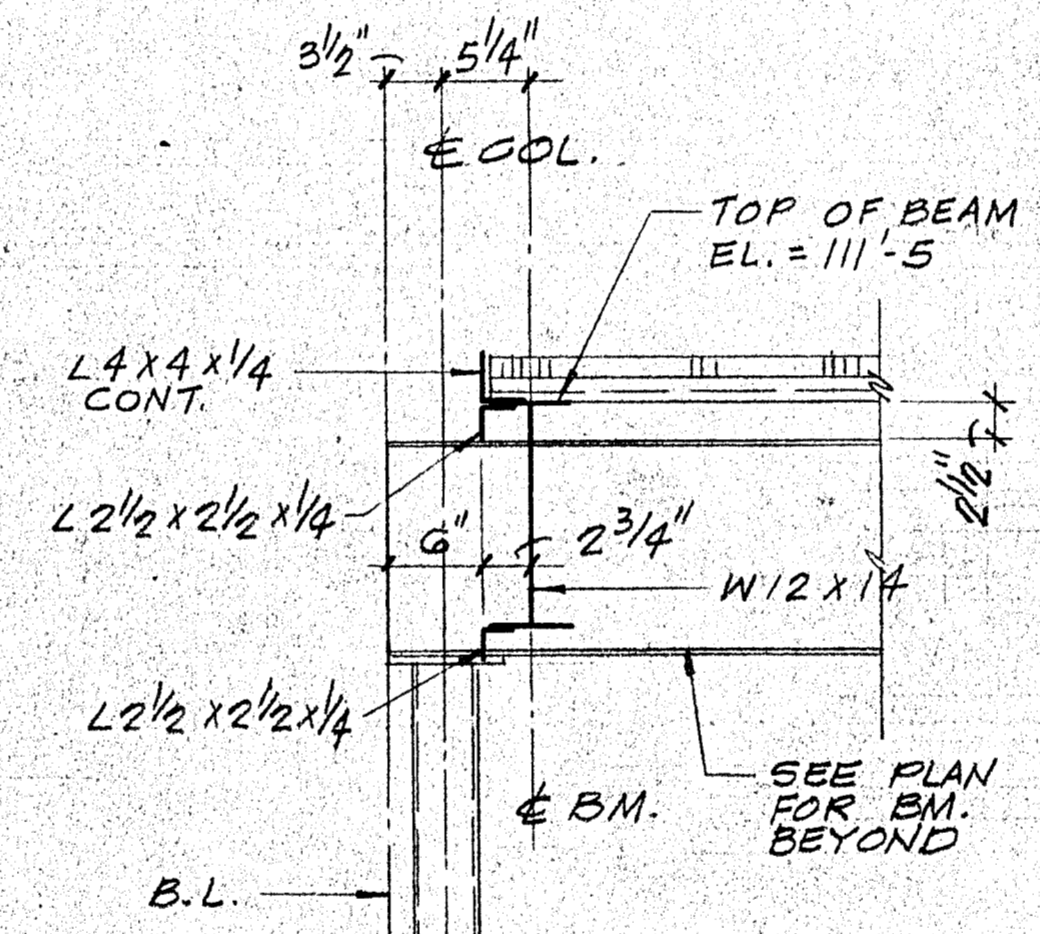
01 Section



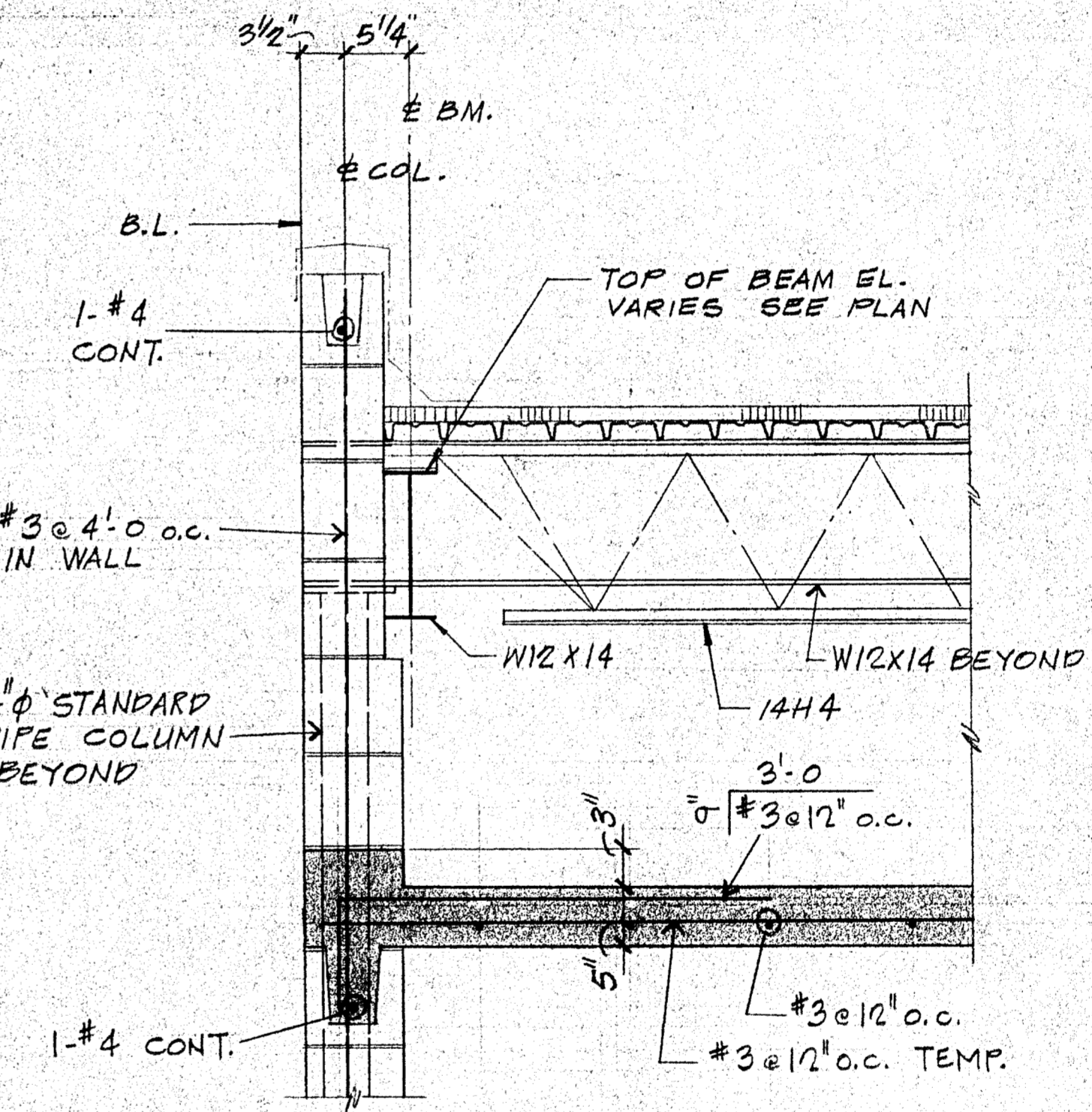
03 Section



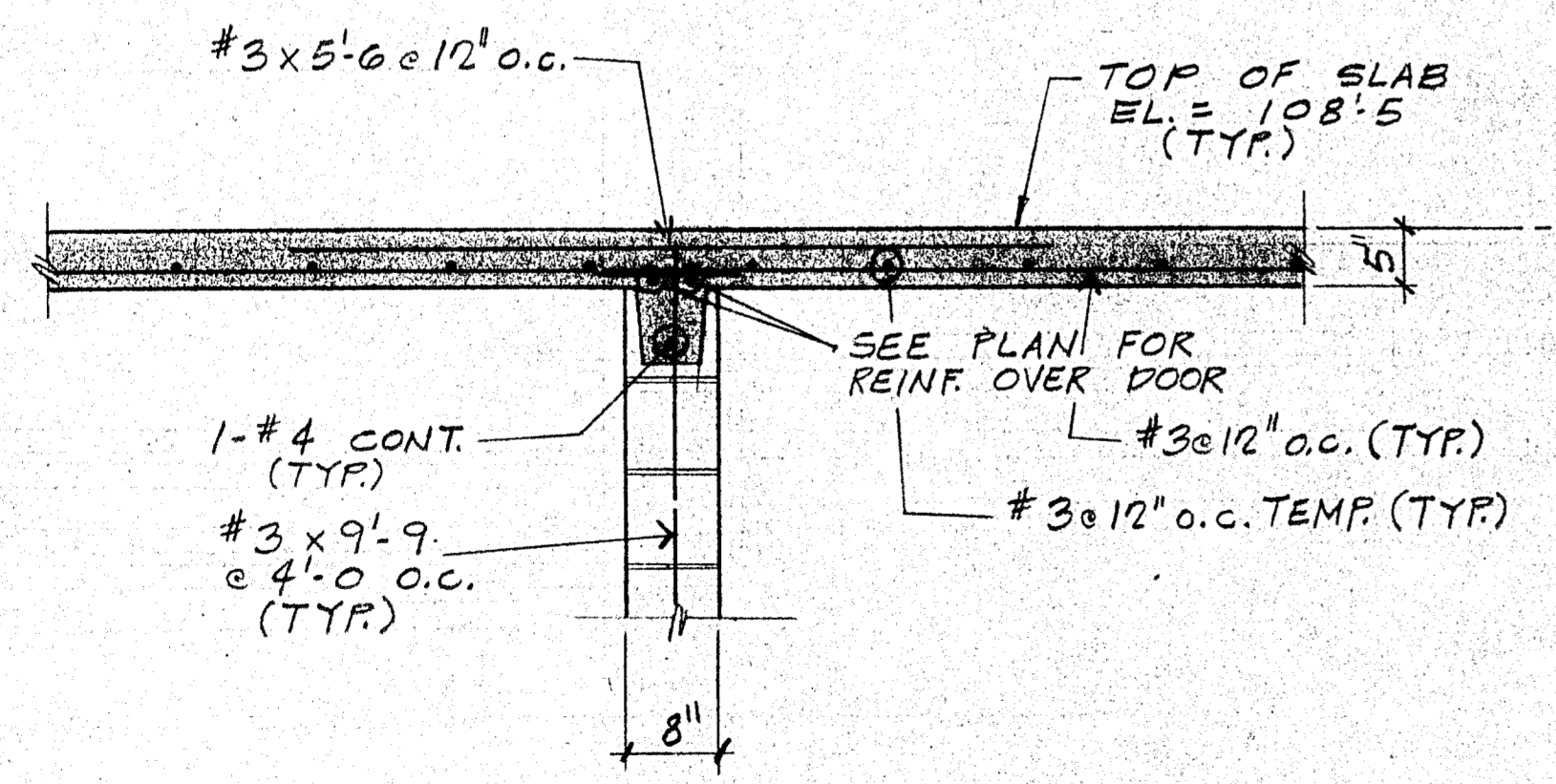
04 Section



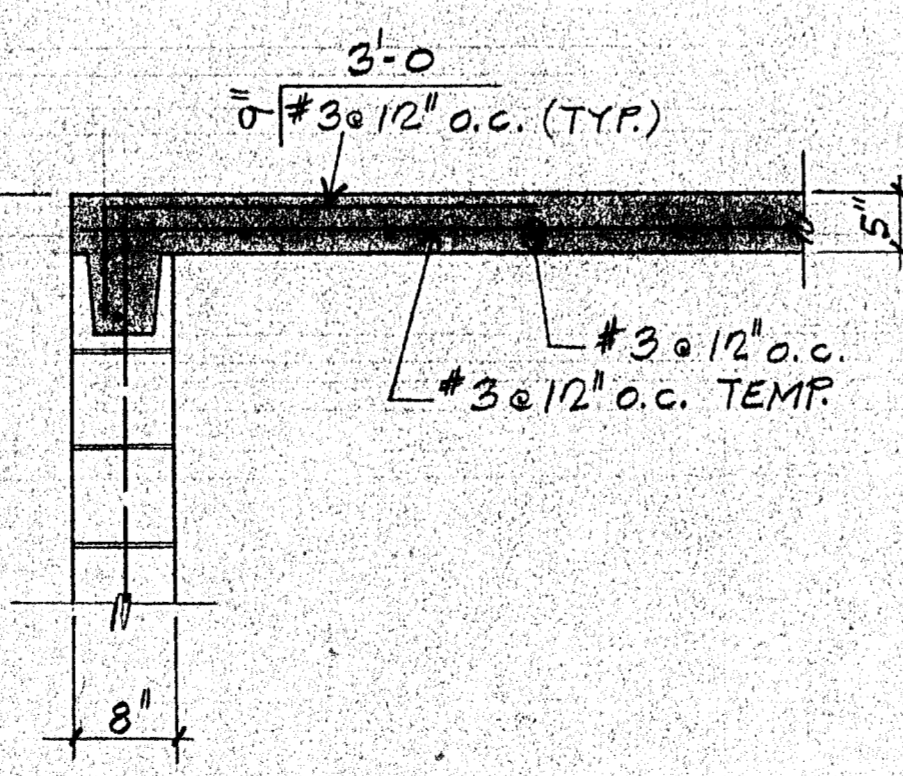
05 Section



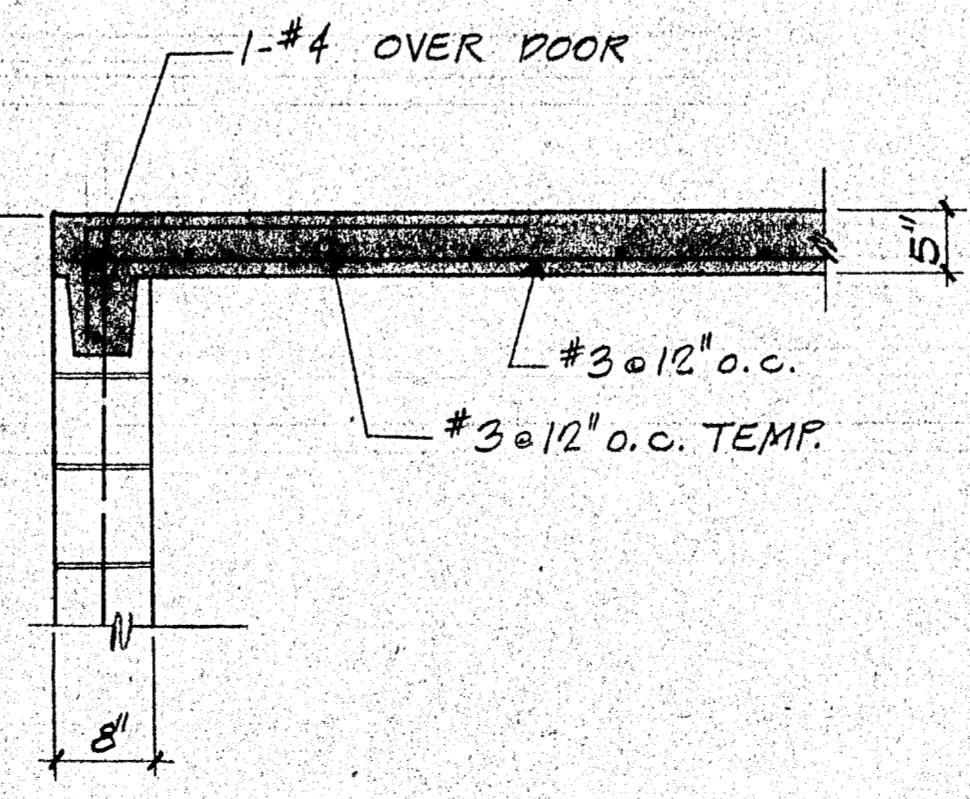
06 Section



07 Section

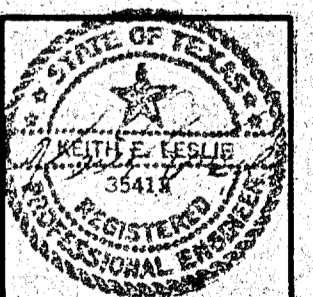


08 Section



09 Section

Hunt/Leslie/Associates  
 Consulting Engineers  
 6060 N. Central - Suite 631  
 Dallas, Texas  
 214-369-5753



Additions and Alterations to the  
**Addison Municipal Center**  
 Addison, Texas

**The O'Brien Corporation**  
 ARCHITECTURE + PLANNING  
 ONE NORTH PARK EAST, SUITE 116  
 DALLAS, TEXAS 75231  
 214-686-1937