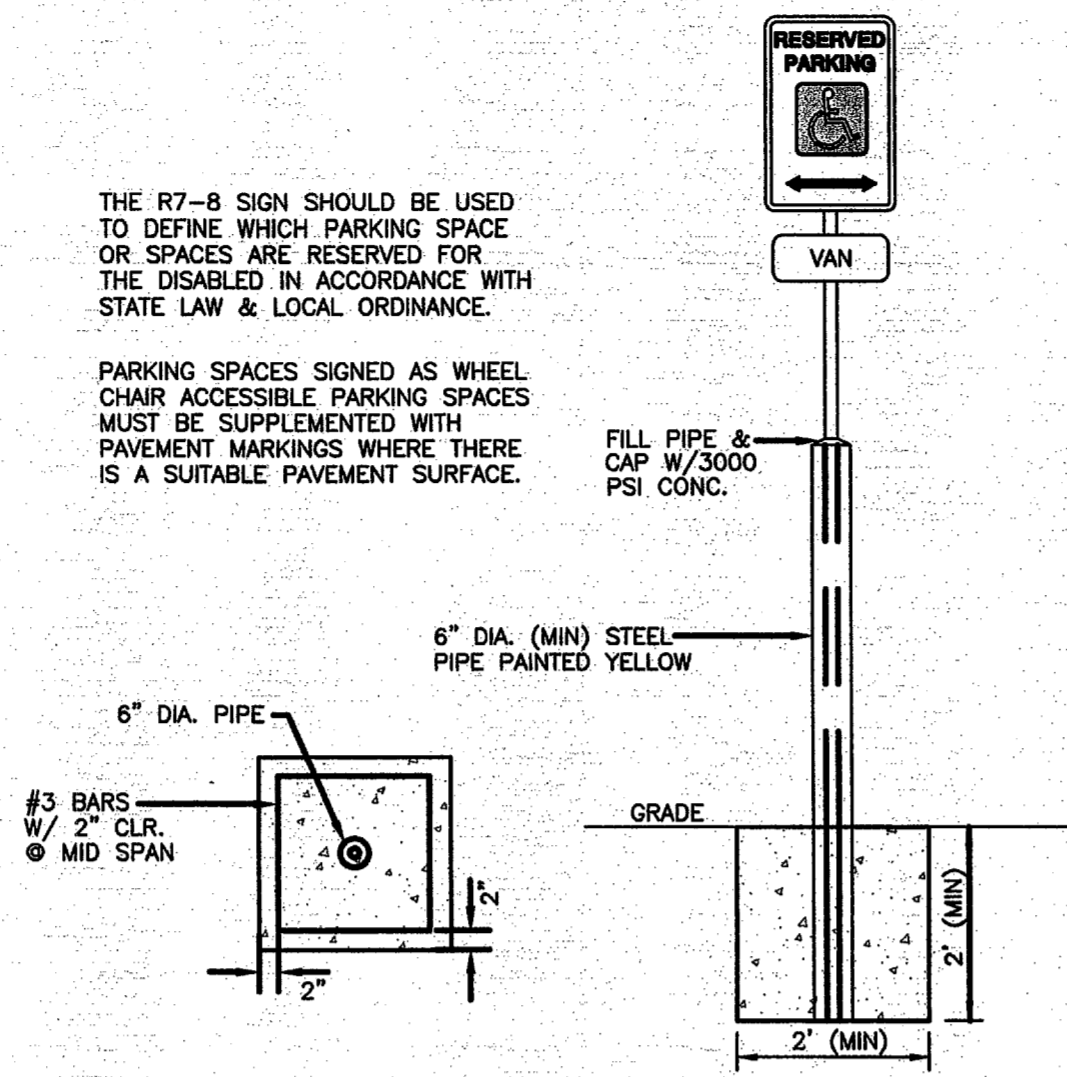


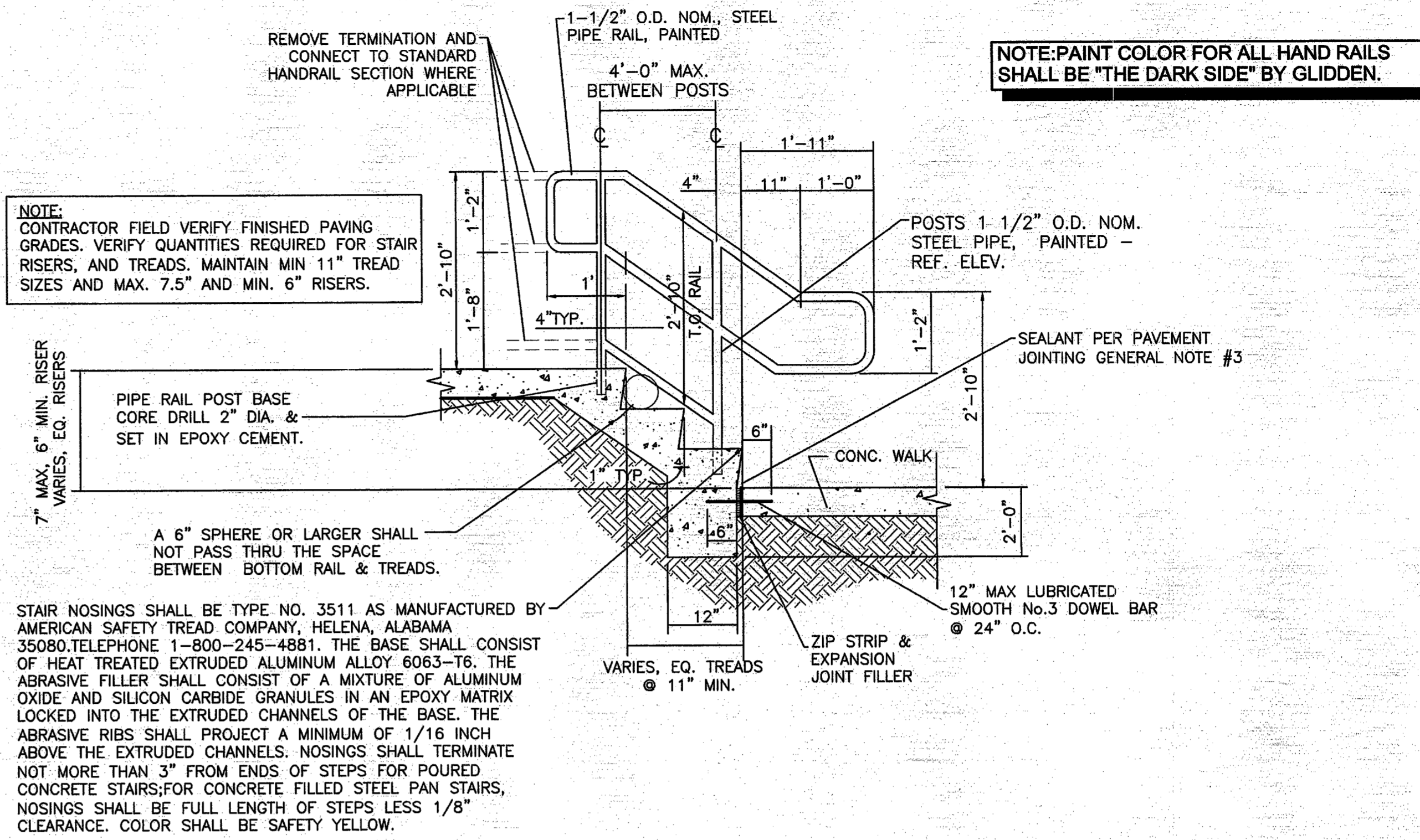
C5.1 TYPICAL CROSSWALK
SCALE: N.T.S.

THE R7-8 SIGN SHOULD BE USED TO DEFINE WHICH PARKING SPACE OR SPACES ARE RESERVED FOR THE DISABLED IN ACCORDANCE WITH STATE LAW & LOCAL ORDINANCE.

PARKING SPACES SIGNED AS WHEEL CHAIR ACCESSIBLE PARKING SPACES MUST BE SUPPLEMENTED WITH PAVEMENT MARKINGS WHERE THERE IS A SUITABLE PAVEMENT SURFACE.



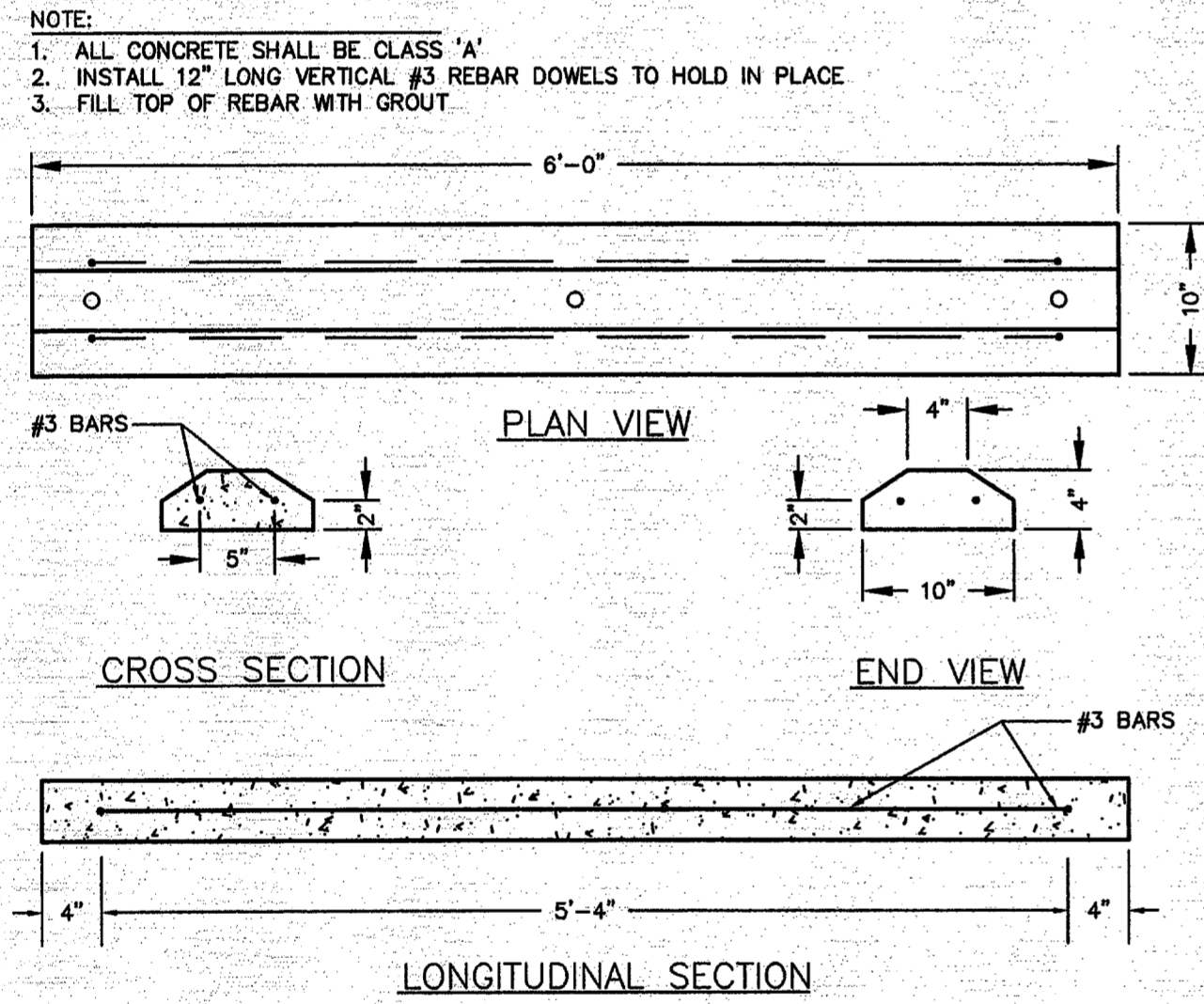
C5.2 HANDICAP SIGN POLE WITH BOLLARD
SCALE: N.T.S.



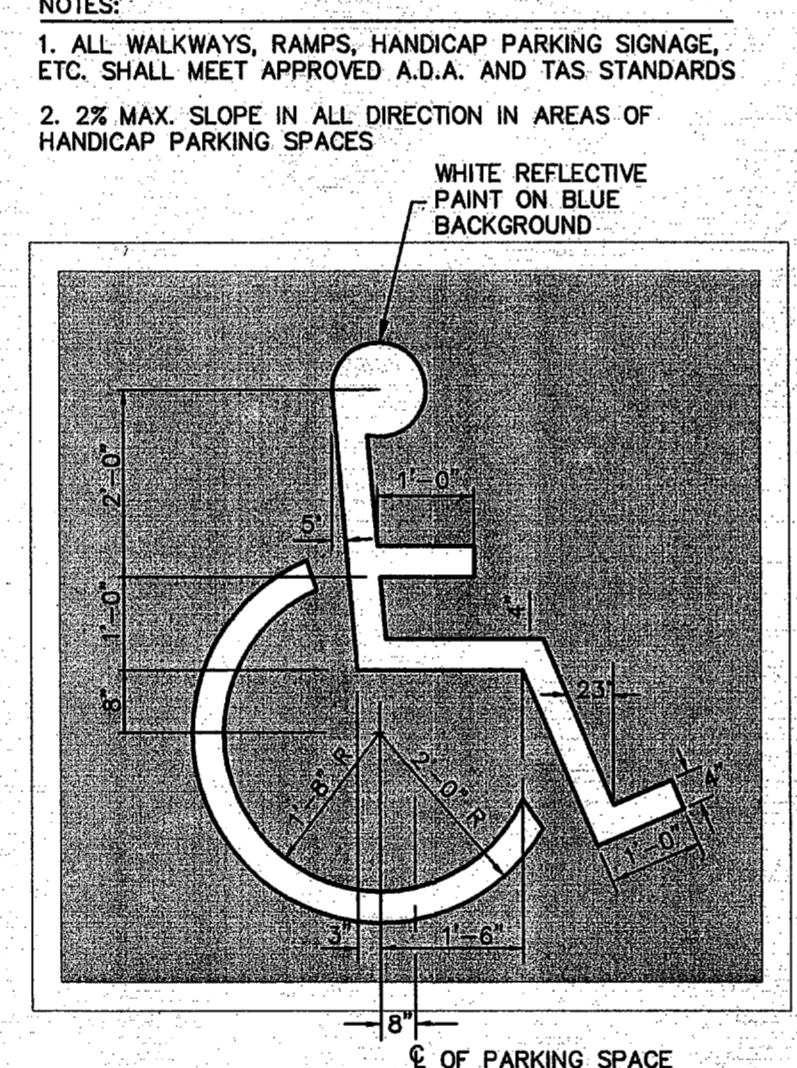
NOTE: CONTRACTOR FIELD VERIFY FINISHED PAVING GRADES. VERIFY QUANTITIES REQUIRED FOR STAIR RISERS, AND TREADS. MAINTAIN MIN 11\"/>

STAIR NOSINGS SHALL BE TYPE NO. 3511 AS MANUFACTURED BY AMERICAN SAFETY TREAD COMPANY, HELENA, ALABAMA 35080. TELEPHONE 1-800-245-4881. THE BASE SHALL CONSIST OF HEAT TREATED EXTRUDED ALUMINUM ALLOY 6063-T6. THE ABRASIVE FILLER SHALL CONSIST OF A MIXTURE OF ALUMINUM OXIDE AND SILICON CARBIDE GRANULES IN AN EPOXY MATRIX LOCKED INTO THE EXTRUDED CHANNELS OF THE BASE. THE ABRASIVE RIBS SHALL PROJECT A MINIMUM OF 1/16 INCH ABOVE THE EXTRUDED CHANNELS. NOSINGS SHALL TERMINATE NOT MORE THAN 3\"/>

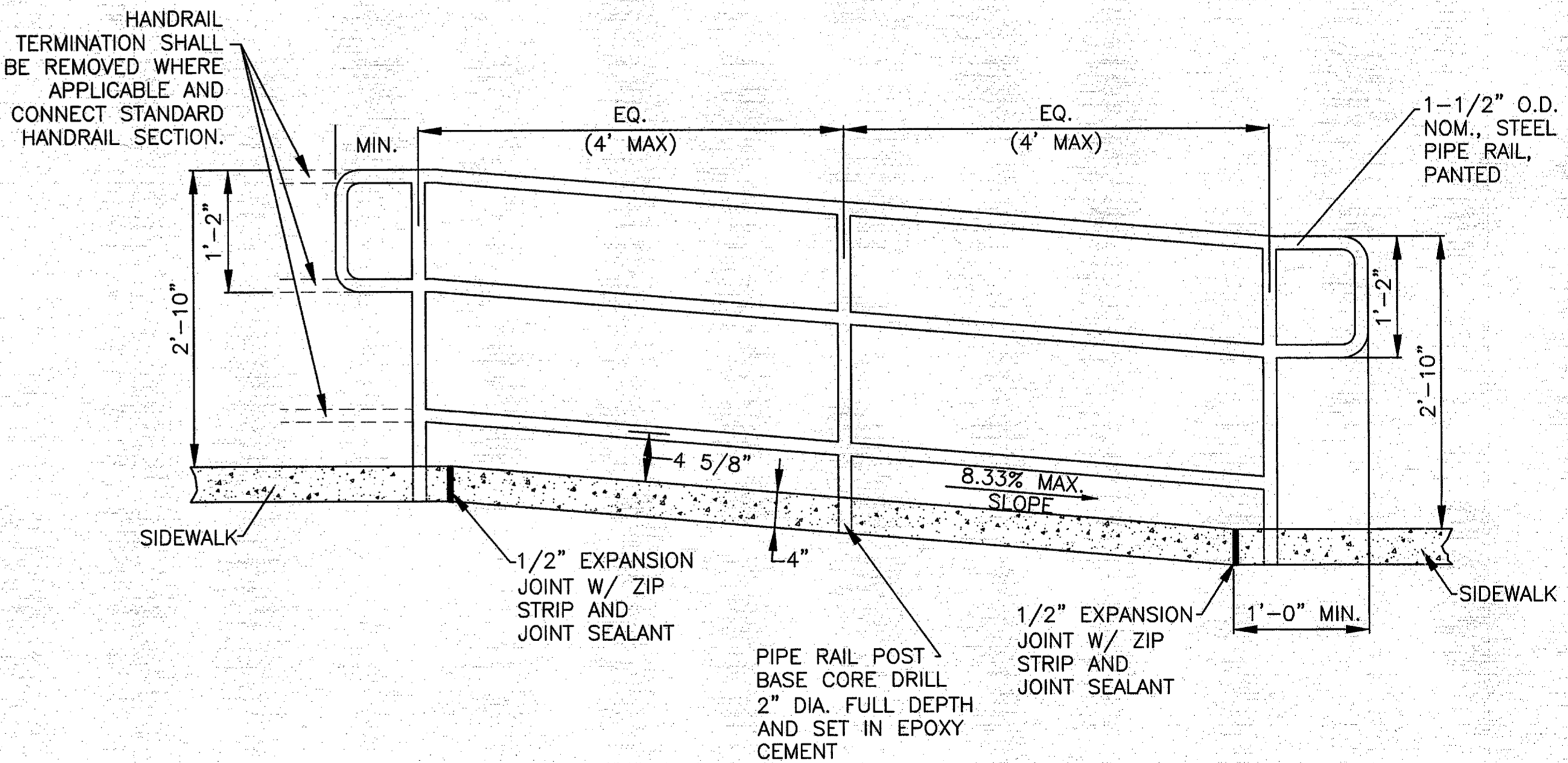
C5.2 STAIR SECTION
SCALE: N.T.S.



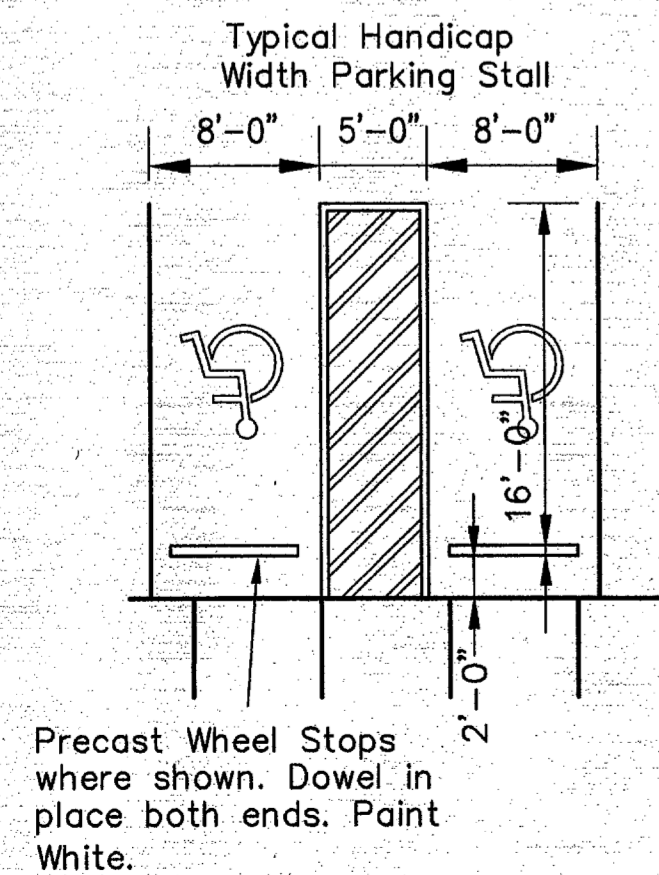
C5.4 WHEEL STOP DETAIL
SCALE: N.T.S.



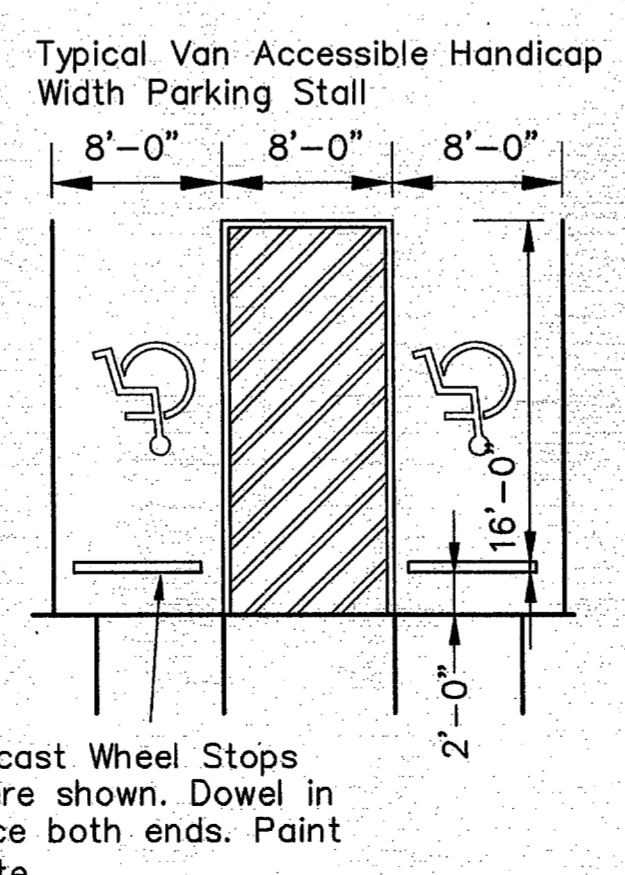
C5.5 HANDICAP STRIPING DETAIL
SCALE: N.T.S.



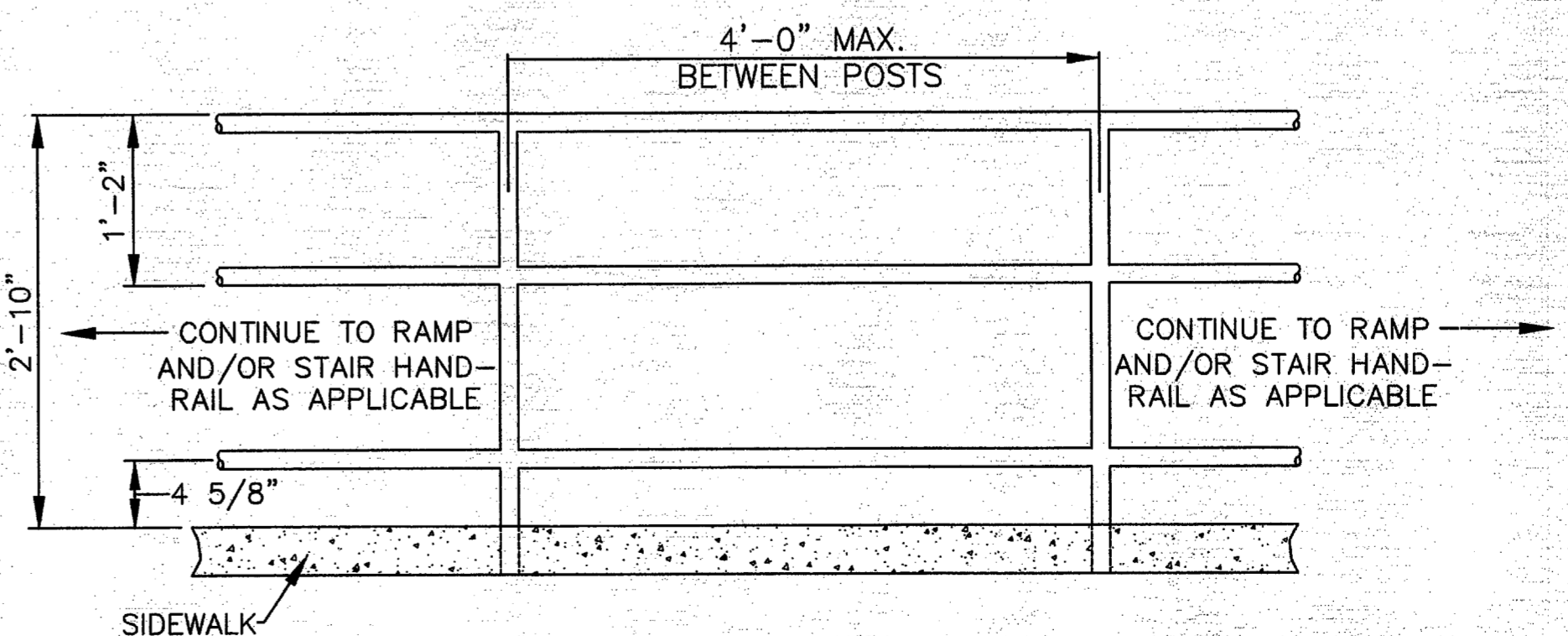
C5.6 RAMP HANDRAIL DETAILS
SCALE: N.T.S.



C5.7 TYPICAL HANDICAP PARKING
SCALE: N.T.S.



C5.8 VAN ACCESSIBLE HANDICAP PARKING
SCALE: N.T.S.



C5.9 STANDARD HANDRAIL SECTION
SCALE: N.T.S.

Bury+Partners
ENGINEERING SOLUTIONS
5810 Harvest Hill Road, Suite 100
Dallas, Texas 75220
Tel: (972)991-0011 Fax: (972)991-0078
Bury+Partners-399, June 6, Copyright, 2012
Texas Registration #1-106

REVISION: _____ DATE: _____

NO. _____ BY: _____

17-14-12

STATE OF TEXAS
JOSHUA A. MILLSAP
100118
LICENSED PROFESSIONAL ENGINEER

SITE DETAILS

CHILI'S-ADA PARKING RENOVATION
4500 BELTLINE RD.
ADDISON, TEXAS

Scale: N.T.S. Date: 10-26-12
Designed By: _____
Drawn By: _____
Checked By: _____
Filed: _____
Project No.: R010050430006

F:\0100504\30006\0504006DTLS-SPN.dwg modified by rhamil at Dec 14, 2012 - 12:08pm