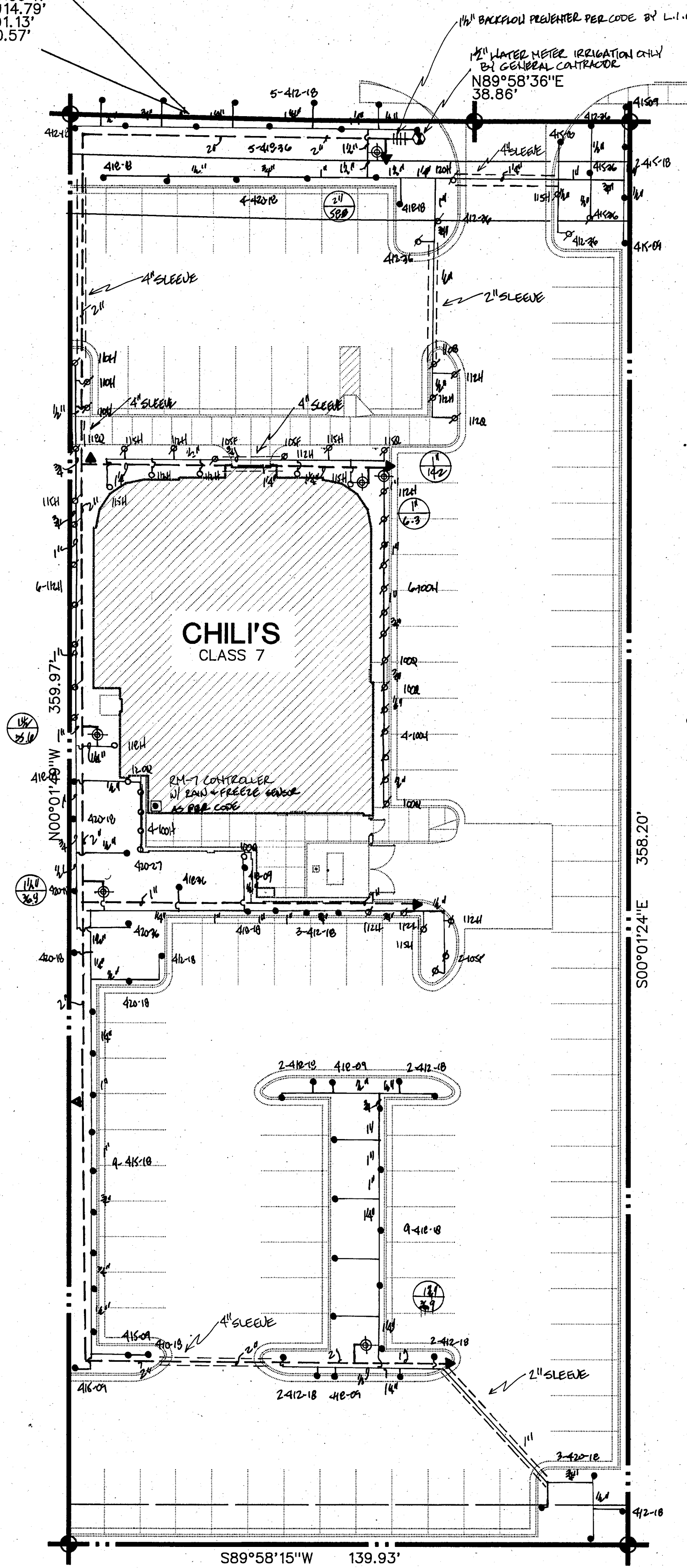
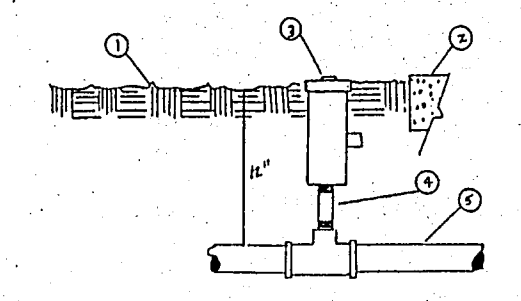


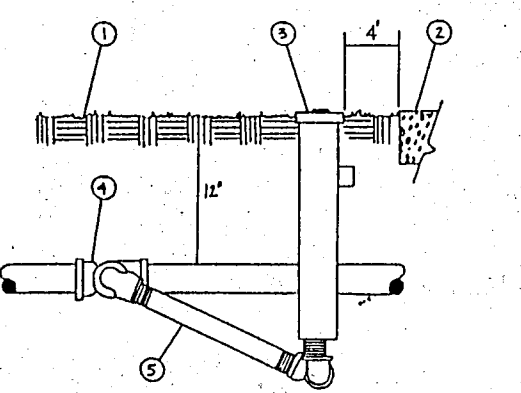
$\Delta = 01^{\circ}59'17''$
 $R = 2914.79'$
 $L = 101.13'$
 $T = 50.57'$



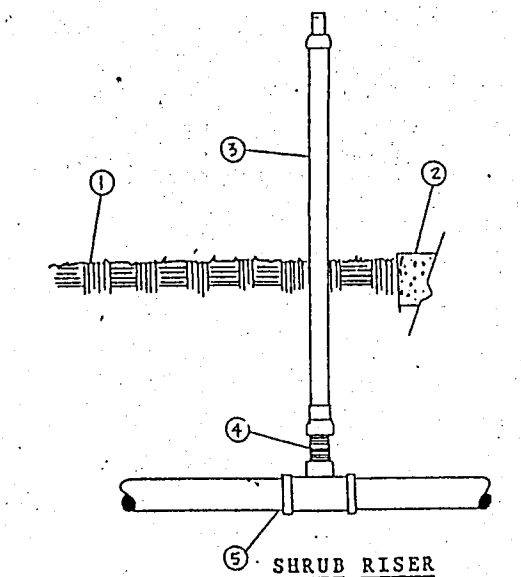
IRIGATION LEGEND



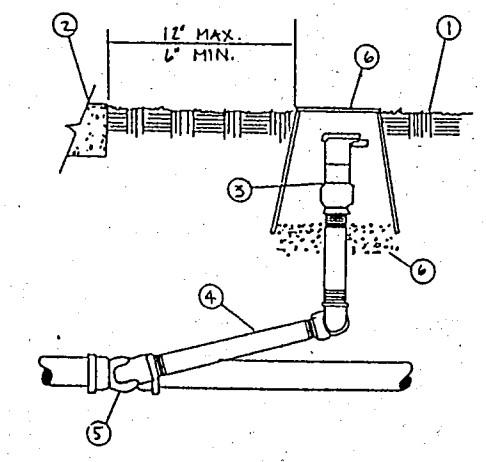
1. FINISH GRADE
2. SIDEWALK OR CURB
3. LAWN POPUP HEAD
4. POLY WEPPIE
5. LATERAL PIPING



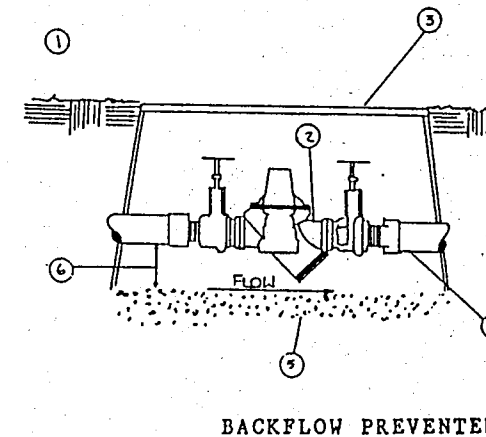
1. FINISH GRADE
2. SIDEWALK OR CURB
3. 12" POPUP SHRUB HEAD
4. LATERAL PIPING
5. SWING JOINT



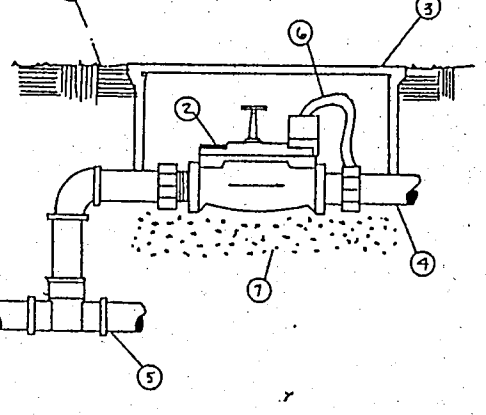
1. FINISH GRADE
2. WALK OR FENCE
3. SHRUB RISER
4. CLOSE POLY WEPPIE
5. LATERAL PIPING



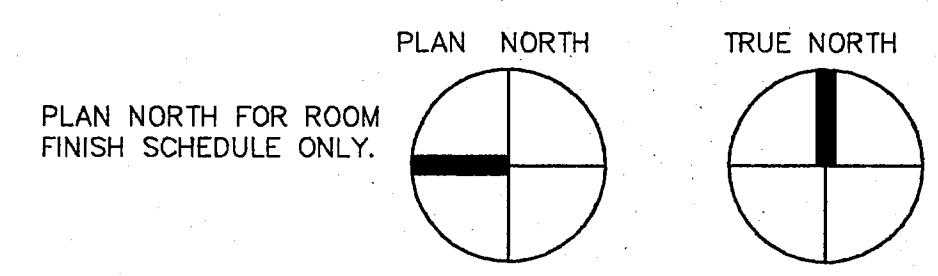
1. FINISH GRADE
2. SIDEWALK OR CURB
3. QUICK COUPLER
4. VEED JOINT
5. MATRIEX PIPE
6. GRAVEL



1. FINISH GRADE
2. BACKFLOW PREVENTER CODE
3. LARGE ROD PER
4. MAINLINE PIPING
5. GASKET DEPTH PER
6. DISTANCE PER CODE



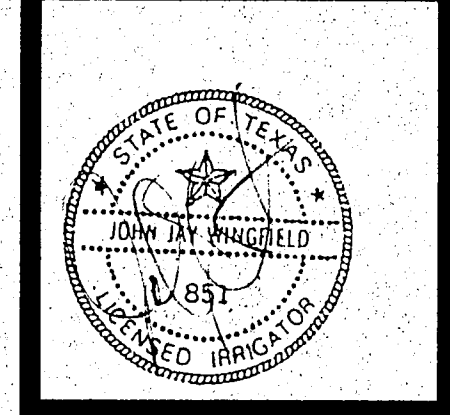
1. FINISH GRADE
2. ELECTRIC CONTROL VALVE
3. VALVE BOX
4. LATERAL PIPING
5. MAINLINE PIPING
6. CONTROL VALVES
7. GRAVEL



L2.01 IRRIGATION PLAN
1" = 20'-0"

MAIN THREE & ASSOC.
 PO BOX 741386
 DALLAS TEXAS 75374-1386
 JOHN WINGFIELD
 (214) 324-9897

CONTRACTOR SHALL VERIFY ALL CONDITIONS AND DIMENSIONS AT THE JOB SITE AND NOTIFY THE ARCHITECTS OF ANY DIMENSIONAL ERRORS, OMISSIONS OR DISCREPANCIES BEFORE BEGINNING OR FABRICATING ANY WORK DO NOT SCALE DRAWINGS



THE VINCENT ASSOCIATION + ARCHITECTS
 One Empire Place 1327 Empire Centre South, 804 Dallas, Texas 75247
 (214) 638-2902
 THE TVA+A CORPORATION dba

ADDISON, TX

chilis 7
 GRILL & BAR

JOB NUMBER
91097.00

SHEET NUMBER
L2

OF SHEETS

DATE OF ORIGINAL ISSUE
28 AUGUST 1991