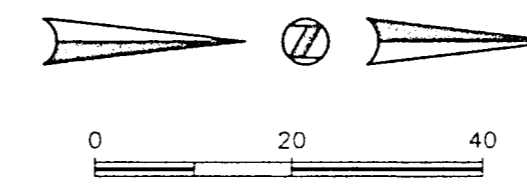


General Notes:

- All construction shall be in accordance with these plans and Town of Addison's ordinances and specifications.
- All materials and workmanship shall conform to "Standard Specifications for Public Works", published by the North Texas Council of Governments, except as modified by the Town of Addison.
- The location of all utilities located on these plans are taken from existing public records. The exact location and elevation of all public utilities shall be determined by the Contractor prior to construction. Contractor shall have a trench safety plan prepared for all excavation in excess of 5 feet deep; it shall be the duty of Contractor to ascertain whether any additional facilities other than those shown on the plans may be present.
- Contractor shall secure all necessary permits and contracts prior to commencing construction.
- It shall be the responsibility of the Contractor to protect all public utilities and other property in the construction of this project. Property damaged during this construction shall be repaired or replaced at the contractor's expense to the satisfaction of the owner.
- Concrete blocking shall be provided on water mains at all bends and fire hydrant per City Standards.
- Pavement affected by construction shall be replaced to match existing. Grassed areas affected shall be re-sodded with like materials.

LOT 2
ADDISON OAKS ADDITION
VOLUME 89166, PAGE 1974



ADDISON RESTAURANT PARK
VOLUME 88066, PAGE 4219

ADDISON RESTAURANT PARK
VOLUME 88066, PAGE 4219

DELTA=00°50'27"
R=2814.79
L=41.31
T=20.66
LC=41.31
CB=N 89°14'46" W

SAW CUT, REMOVE AND REPLACE EX. SIDEWALK AS REQUIRED FOR CONST.

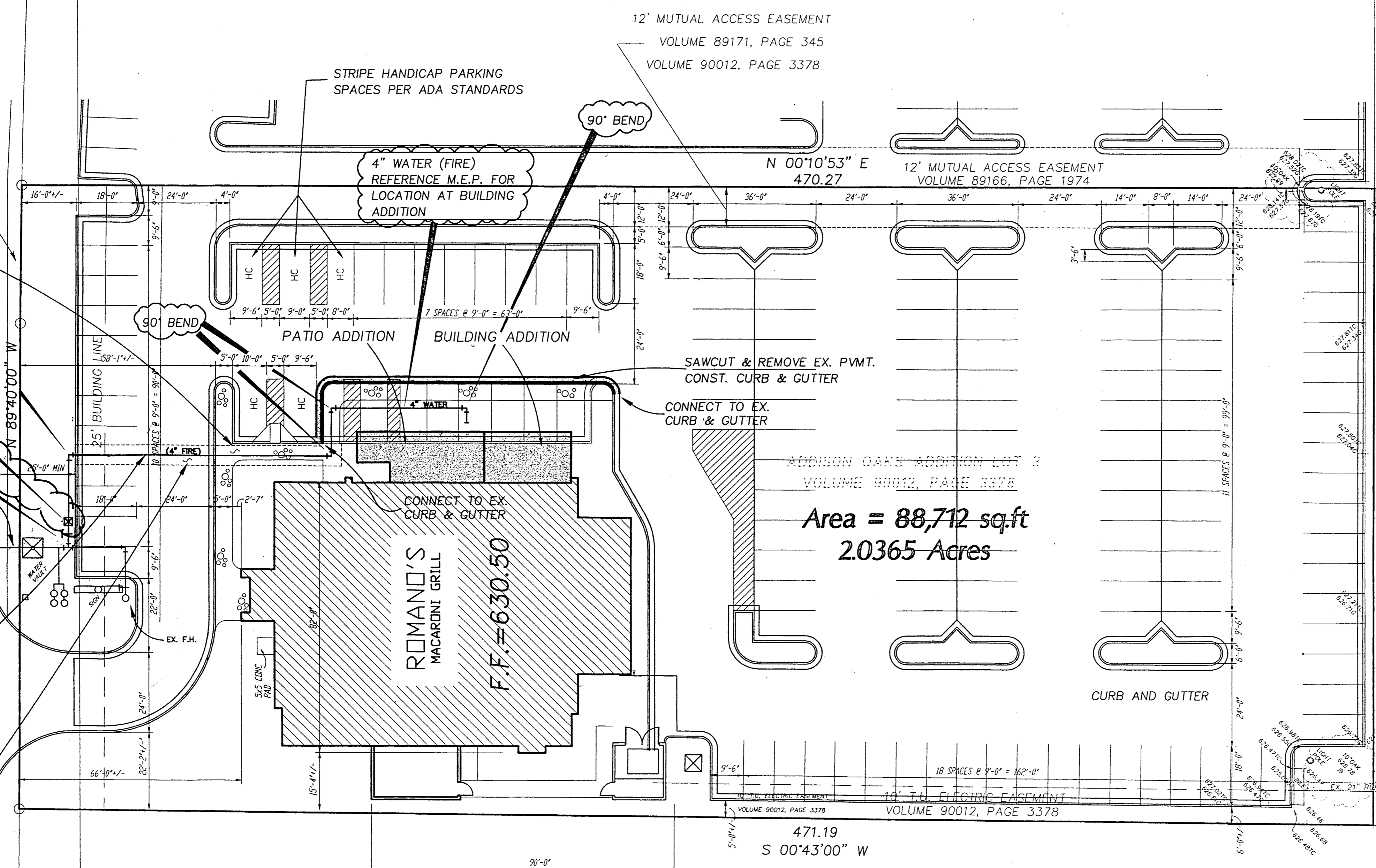
INSTALL DUAL DETECTOR CHECK AND VAULT WITH ER1 PIT-PAC

INSTALL 6"x4" TAPPING SLEEVE AND VALVE

4" FIRE LINE TO BE INSTALLED BY STATE LICENSED FIRE PROTECTION CONTRACTOR.

SAWCUT, REMOVE AND REPLACE EX. PVMT. AND CURB & GUTTER AS REQUIRED FOR CONST.

BELTLINE ROAD
100' RIGHT-OF-WAY



Area = 88,712 sq.ft
2.0365 Acres

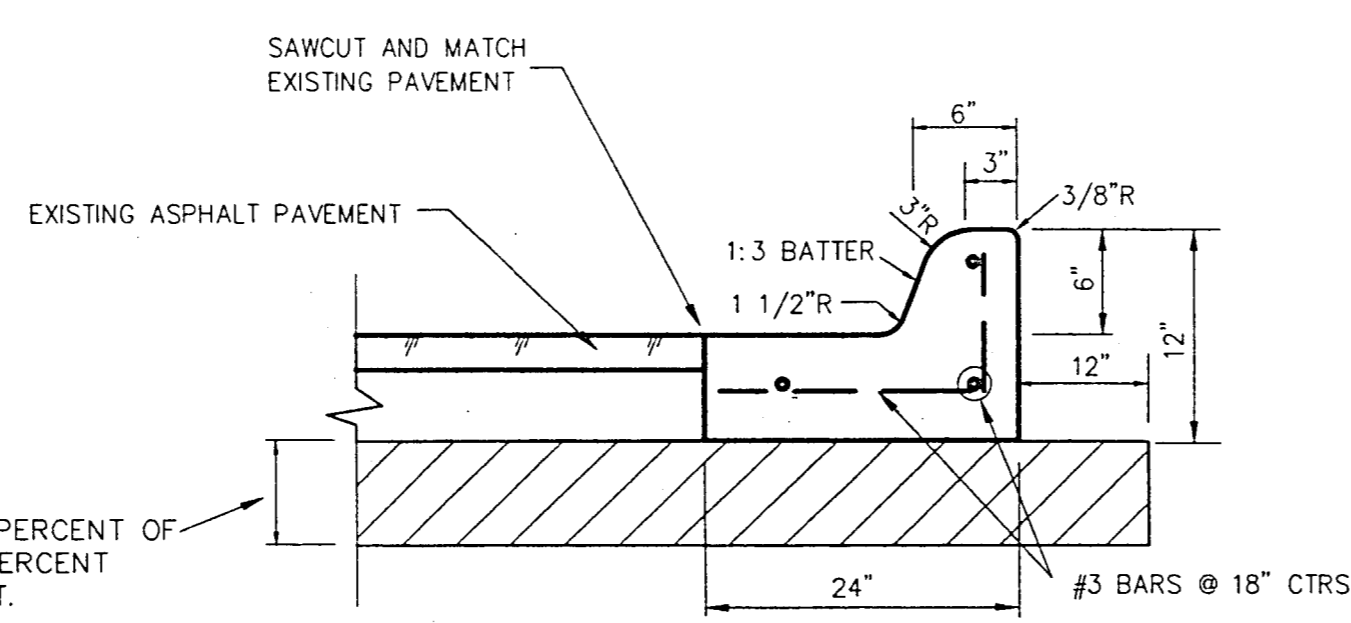
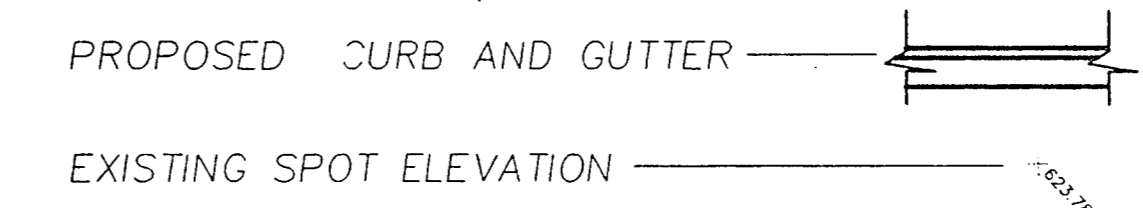
LOT 1, BLOCK 1
BELTWOOD RESERVOIR ADDITION
VOLUME 90012, PAGE 3378

CONSTRUCTION SET
ISSUED BY
TOWN OF ADDISON
PUBLIC WORKS DEPARTMENT
DATE: 26 Feb 98

SITE DATA

LOT AREA = 88,712 sq. ft.
BUILDING SQ. FOOTAGE = 8937 sq. ft. (INCLUDES ADDITIONS)
PARKING PROVIDED = 128 + 5 HANDICAP = 133 SPACES
PARKING REQUIRED = 1 SPACE/70 sq. ft. OF BLDG. AREA
= 8937/70 = 128 SPACES

LEGEND



CURB AND GUTTER DETAIL
N.T.S.

BENCH MARK:
FINISH FLOOR OF EXISTING MACARONI GRILL BUILDING
ELEVATION=630.50

SITE PLAN						
ROMANO'S MACARONI GRILL						
ADDISON OAKS ADDITION LOT 3						
ADDISON, TEXAS						
BROCKETTE · DAVIS · DRAKE, inc. consulting engineers Civil & Structural Engineering · Surveying 4144 North Central Expressway, Suite 1100 Dallas, Texas 75204 (214)824-3647, fax (214) 824-7064						
DESIGN	DRAWN	DATE	SCALE	NOTES	FILE	NO.
RLK	MWW	1/98	1"=20'	POD	087445	B3-7

REVISED 1/13/98

*214-824-3647
1/13/98
Complete Building to Protection by Sprinkler*

4535 BELTLINE

B3-7