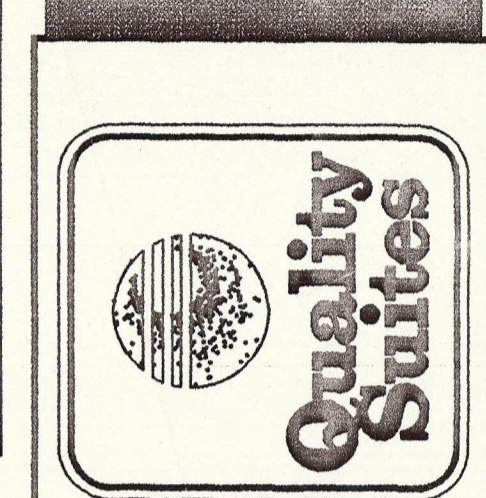
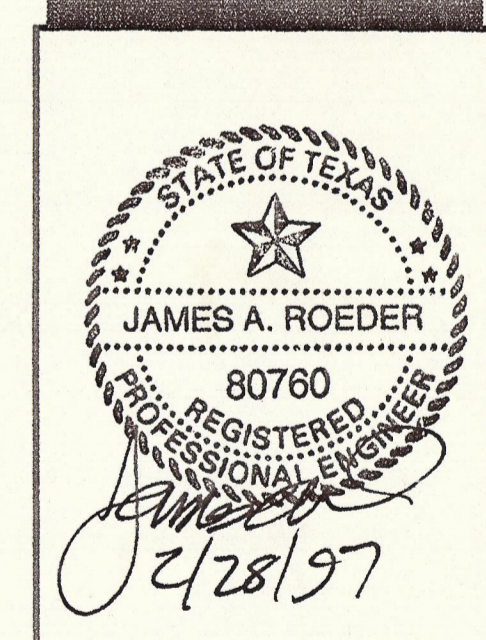


Tharaldson Development Co.
 P.O. Box 10519
 Fargo, ND 58108



REVISIONS:
 2/28/97
 ADDED ELECTRIC UTILITIES

GRADING & UTILITIES
 PROJECT:
 QUALITY SUITES 78 UNIT MOTEL
 ARAPAHOE ROAD
 ADDISON, TEXAS



DATE
 P.E. # 80760

LAND
 L3

STRUCTURE SCHEDULE (STORM DRAINAGE)

STR. NO.	RIM ELEV.	FL. OUT	FL. IN	REMARKS
HW-1	19.22			STRAIGHT CONCRETE ENDWALL FOR 27" PIPE
CB-2	23.00	19.40	19.55 (S) 19.20 (E)	48"X48" SQUARE PRECAST CATCH BASIN W/ FLUSH MOUNT INLET GRATE
CB-3	24.20	20.08	20.08	48"X48" SQUARE PRECAST CATCH BASIN W/ INLET GRATE
CB-4	23.60	20.32	20.82	48"X48" SQUARE PRECAST CATCH BASIN W/ FLUSH MOUNT INLET GRATE
MH-5	24.85	21.35	21.60(S) 22.00(N)	48" PRECAST CONCRETE STORM MANHOLE
HW-6				STRAIGHT CONCRETE ENDWALL FOR 24" PIPE
CB-7	23.20	20.10	20.38	36"X36" PRECAST CATCH BASIN W/ INLET GRATE
CB-8	23.70	20.85	20.75 (S)	36"X36" PRECAST CATCH BASIN W/ INLET GRATE
I-9	23.60	22.10		STD. YARD INLET
HW-10				STRAIGHT CONCRETE ENDWALL FOR 24" PIPE
HW-11				STRAIGHT CONCRETE ENDWALL FOR 24" PIPE
				ADDISON, TX 11-21-95

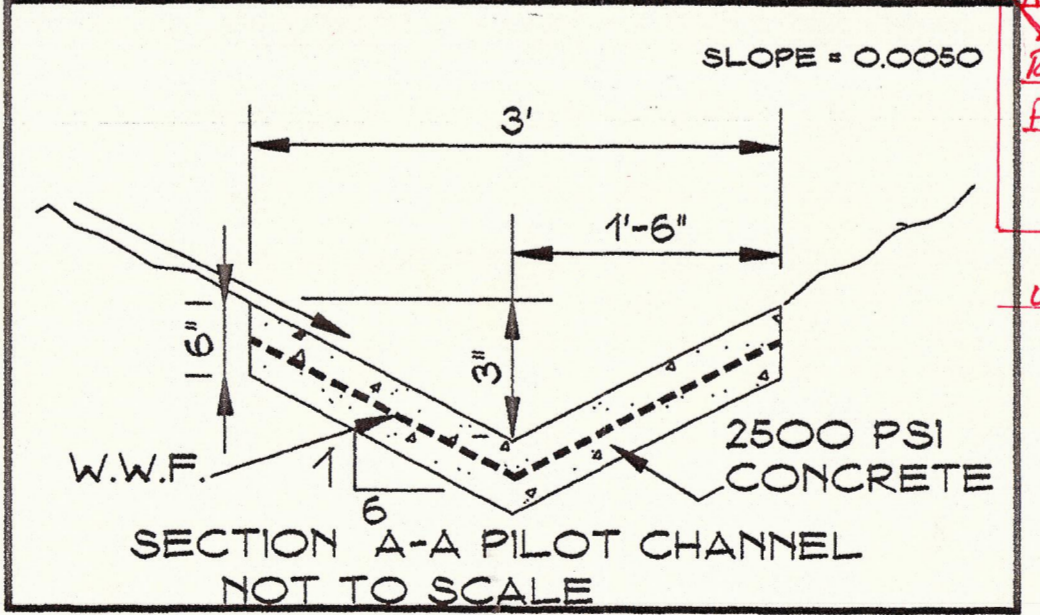
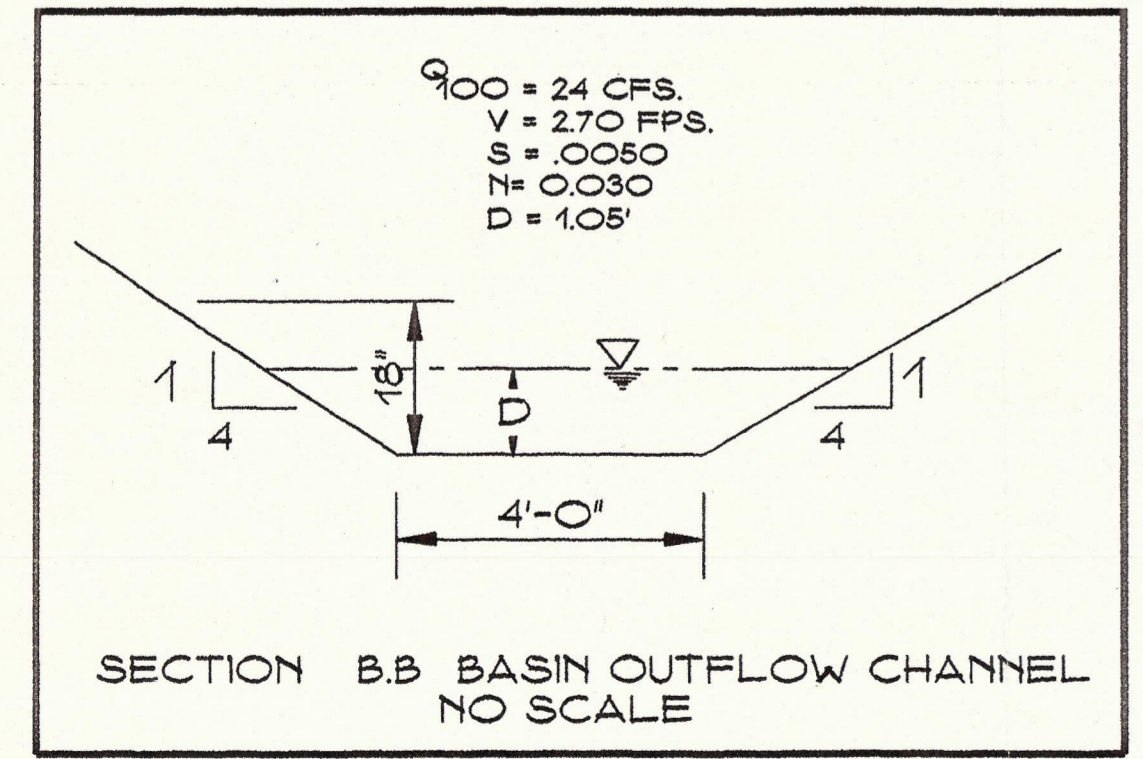
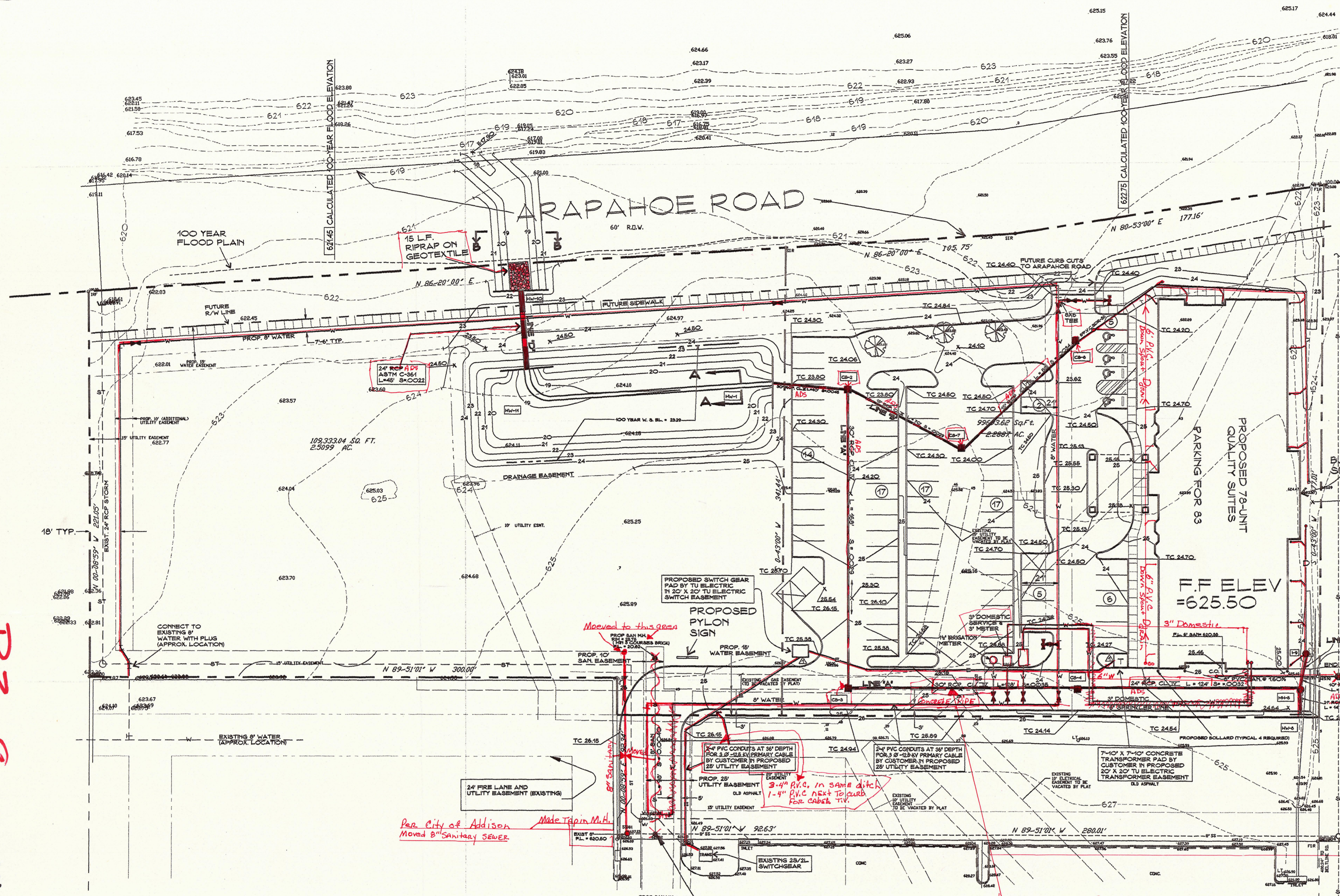
NOTE 'A'
 THE PROPOSED SANITARY MANHOLE SERVING THE QUALITY SUITES WILL BE LOCATED ON THE DALLAS WATER UTILITIES PROPERTY, AS THIS IS A SECURED AREA, THE CONTRACTOR SHALL COORDINATE THE CONSTRUCTION WITH DALLAS WATER UTILITIES (948-4500), AND SHALL PROVIDE TEMPORARY SECURITY FENCING OF WORK AREA.

NOTE 'B'
 BACKFLOW PREVENTION DEVICES SHALL BE PROVIDED FOR ALL THREE (3) WATER CONNECTIONS (DOMESTIC, IRRIGATION, AND SPRINKLER LINE), IN ACCORDANCE WITH TOWN OF ADDISON REQUIREMENTS.

SITE LEGEND

- PROPERTY LINE
- EASEMENT LINE
- EXISTING SANITARY SEWER & MANHOLE
- EXISTING WATER MAIN
- EXISTING WATER VALVE & FIRE HYDRANT
- EXISTING STORM DRAIN
- EXISTING STORM INLET & MANHOLE
- EXISTING GAS MAIN/SERVICE
- EXISTING EDGE OF PAVEMENT OR CURB
- EXISTING CONTOUR
- PROPOSED WATER VALVE & FIRE HYDRANT
- PROPOSED SANITARY SEWER, MANHOLE & CLEANOUT
- PROPOSED STORM DRAIN, INLET, MH
- PROPOSED CONCRETE CURB
- PROPOSED CONCRETE SIDEWALK
- PROPOSED CONTOUR
- PROPOSED SPOT ELEVATION 62 X 60
- PROPOSED TOP OF CURB ELEVATION
- BOTTOM OF CURB IMPL. 9" LOWER UNLESS NOTED OTHERWISE 62.60 TC
- PROPOSED ROOF DRAINS:
 DOWNSPOUT
 CLEANOUT
 DRAIN PIPE
- EXISTING ELECTRIC
- EXISTING TELEPHONE
- EXISTING CABLE TV
- PROPOSED ELECTRIC
- PROPOSED TELEPHONE
- PROPOSED CABLE TV
- PROPOSED GAS
- TRANSFORMER

B3-8 Quality Suites



GRADING & UTILITIES

All Storm Sewer Pipe was changed to A.D.S. Except one area remained concrete.
 All changes on drawing was cleared and OK'd per city of Addison.
 The only changes were in material no grade changes was made.

Per City of Addison
 Moved 8" Sanitary Sewer

Moved to this green

Manhole Eliminated per City of Addison
 Made Tap direct to Sanitary Sewer Main

