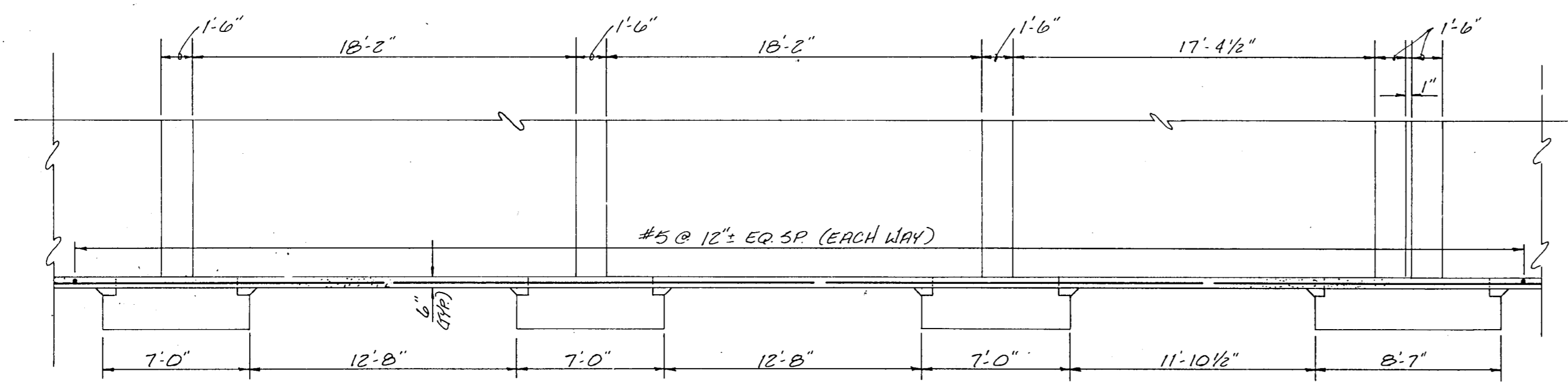
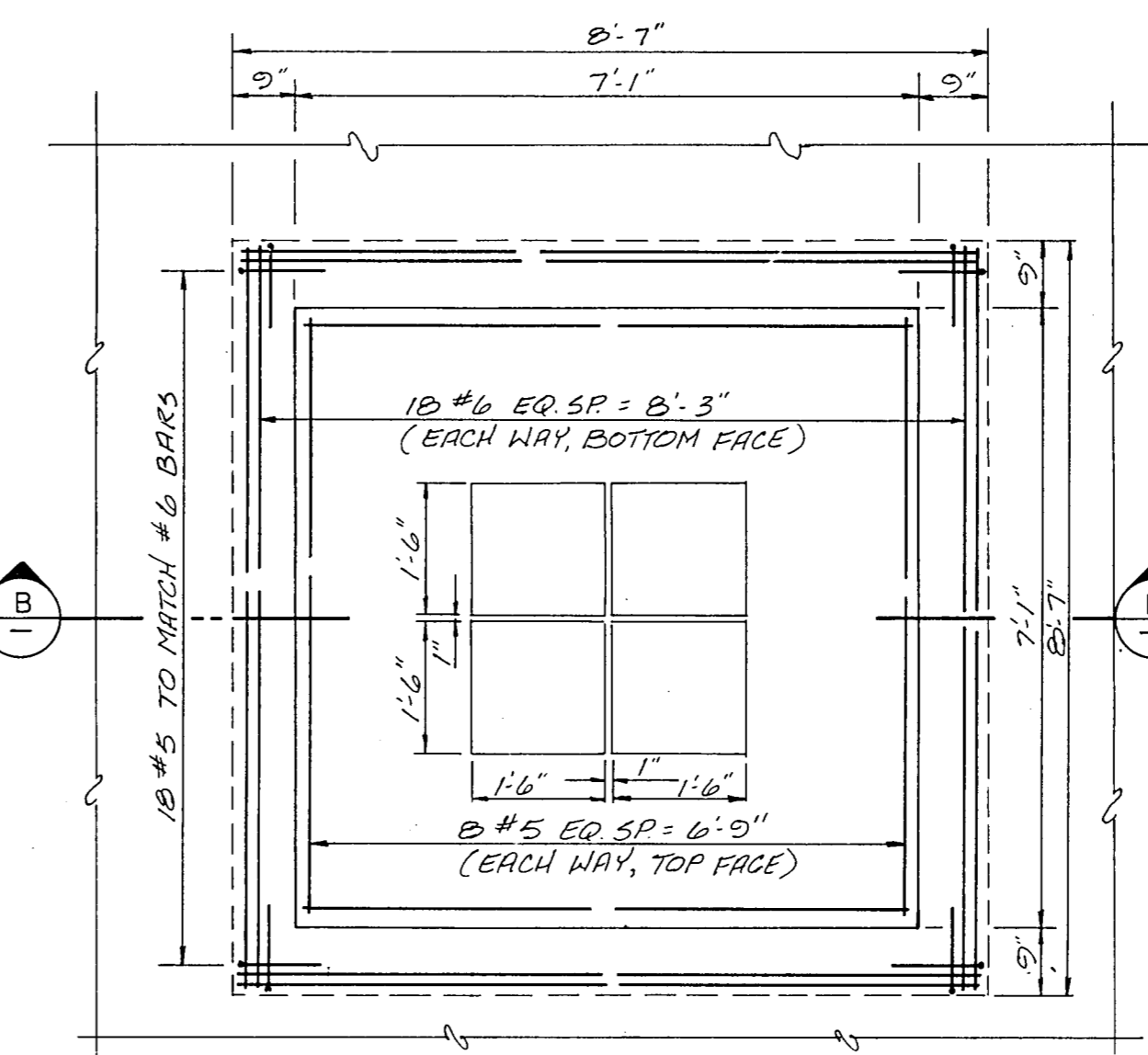


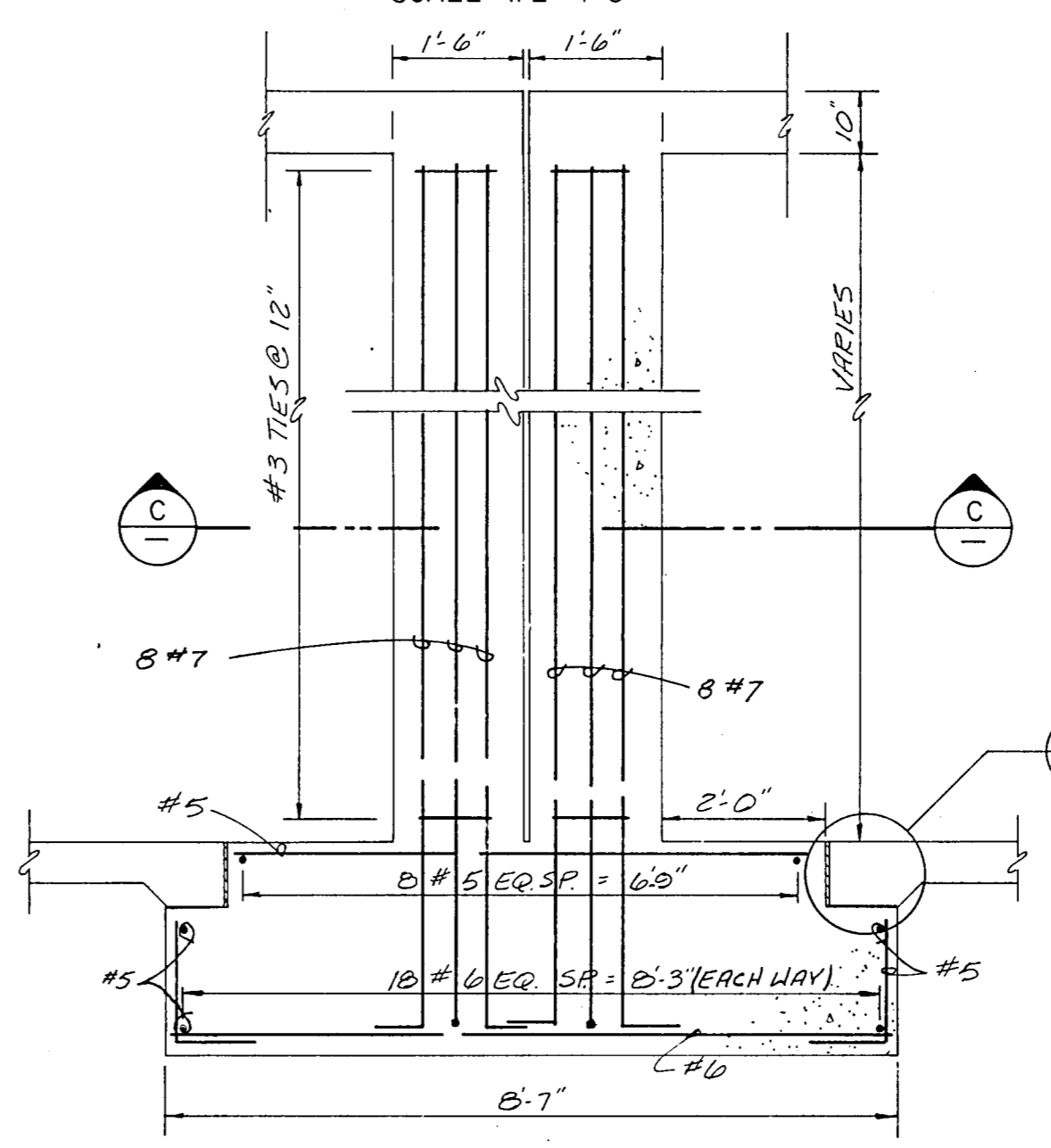
FOUNDATION PLAN  
INTERIOR BAYS NEAR EXPANSION JOINTS  
SCALE: 3/16"=1'-0"



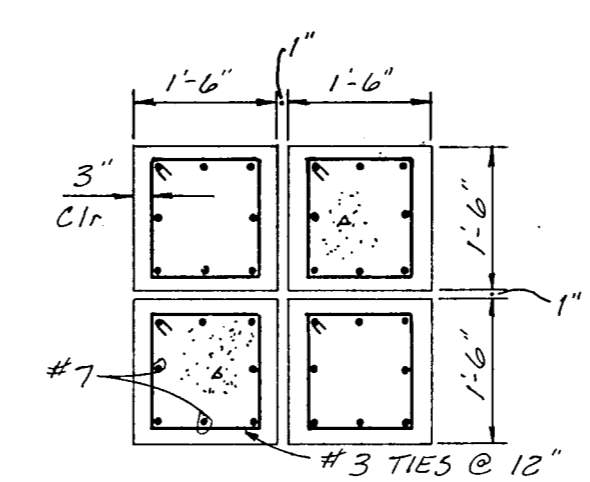
SECTION A-A  
SCALE: 3/16"=1'-0"



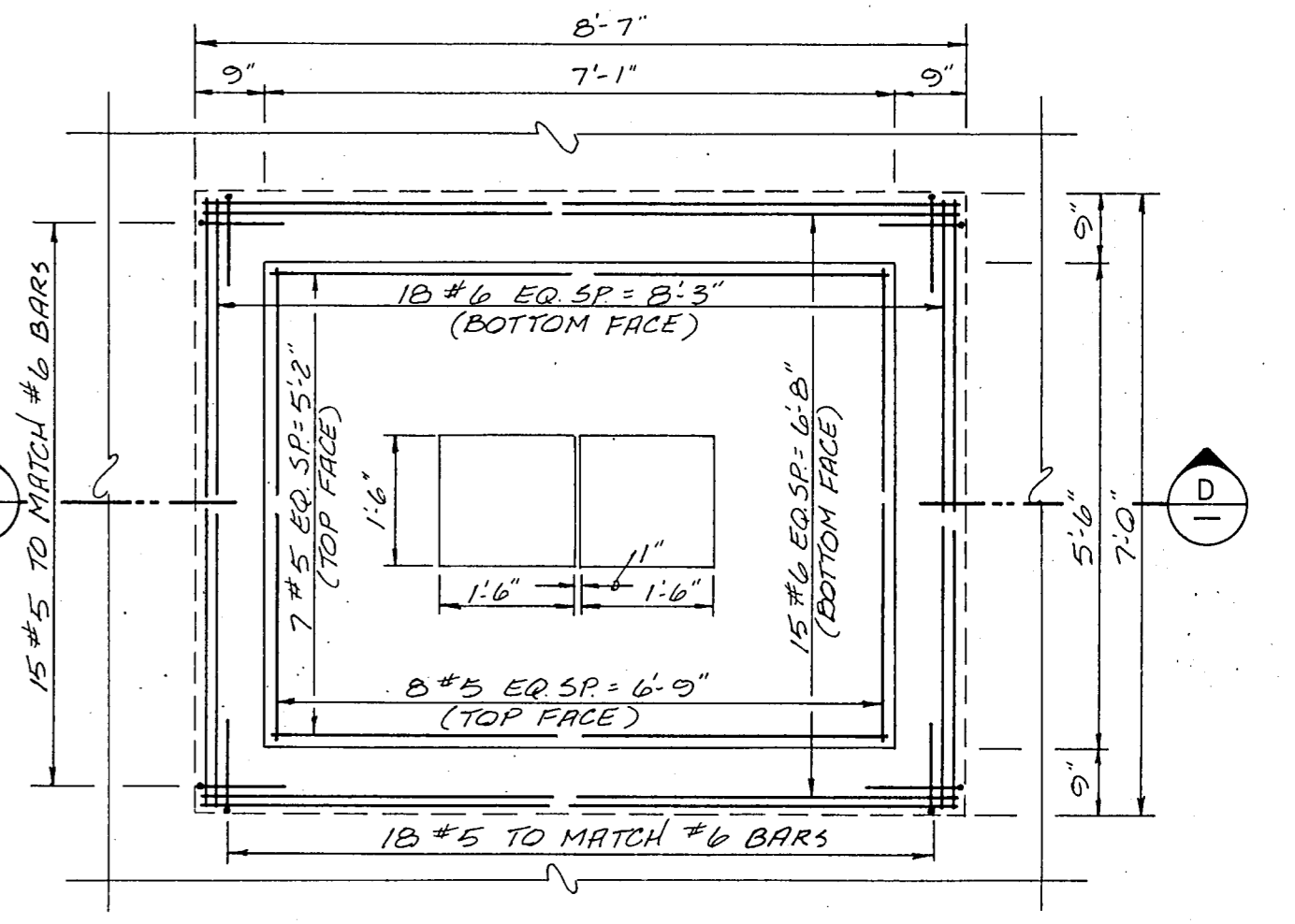
PLAN  
4-COLUMN FOOTING  
SCALE: 1/2"=1'-0"



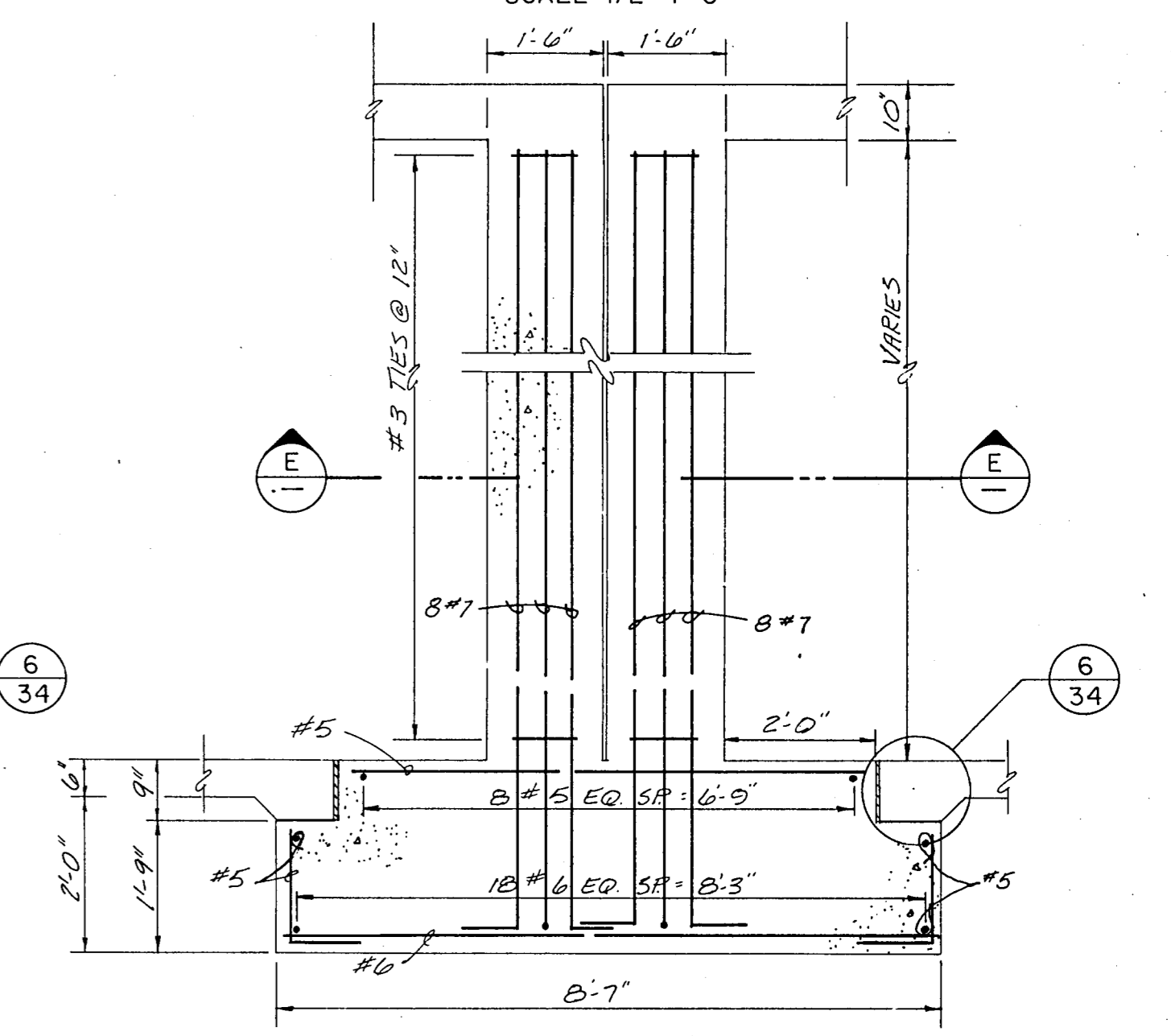
SECTION B-B  
SCALE: 1/2"=1'-0"



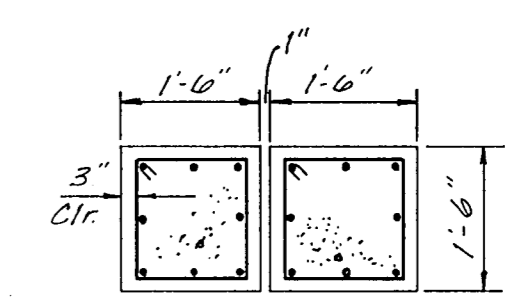
SECTION C-C  
SCALE: 1/2"=1'-0"



PLAN  
2-COLUMN FOOTING  
SCALE: 1/2"=1'-0"

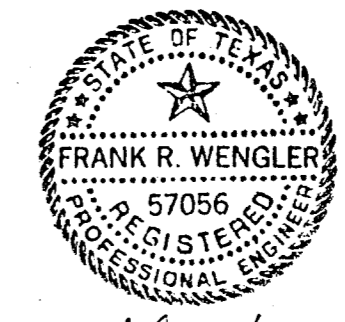


SECTION D-D  
SCALE: 1/2"=1'-0"



SECTION E-E  
SCALE: 1/2"=1'-0"

- NOTES:
- FOR STRUCTURAL NOTES AND DETAILS, SEE SHEET 34 OF 44
  - WALL AND ROOF SLAB REINFORCING STEEL NOT SHOWN FOR CLARITY.
  - STEEL REINFORCEMENT LAP LENGTHS AS SHOWN IN DETAIL 1 ON SHEET 34 OF 44
  - ALL HOOKS SHOWN TO BE STANDARD A.C.I. HOOKS.
  - EXCAVATE WITHIN LIMITS OF PROPOSED RESERVOIR TO ROCK. EXCAVATED AREAS TO BE REPLACED WITH SELECT FILL PER SPECIFICATIONS.
  - OPENINGS ARE NOT SHOWN FOR CLARITY SEE SHEET 25 OF 44 FOR FLOOR SLAB PENETRATION LOCATIONS.



Handwritten initials and date: *FW*, 6/8/89

NO.	DATE	REVISION	APPROVED
BELTWOOD RESERVOIR EXPANSION RESERVOIR FOUNDATION PLAN			
DALLAS WATER UTILITIES CITY OF DALLAS, TEXAS Turner Collie & Braden Inc.			
DESIGN	F.R.W.	CONTRACT NO.	89-79
DRAWN	C.A.	FILE NO.	630 Q 700 F
TRACED		SHEET NO.	28
CHECKED		DATE	5/89
			OF 44