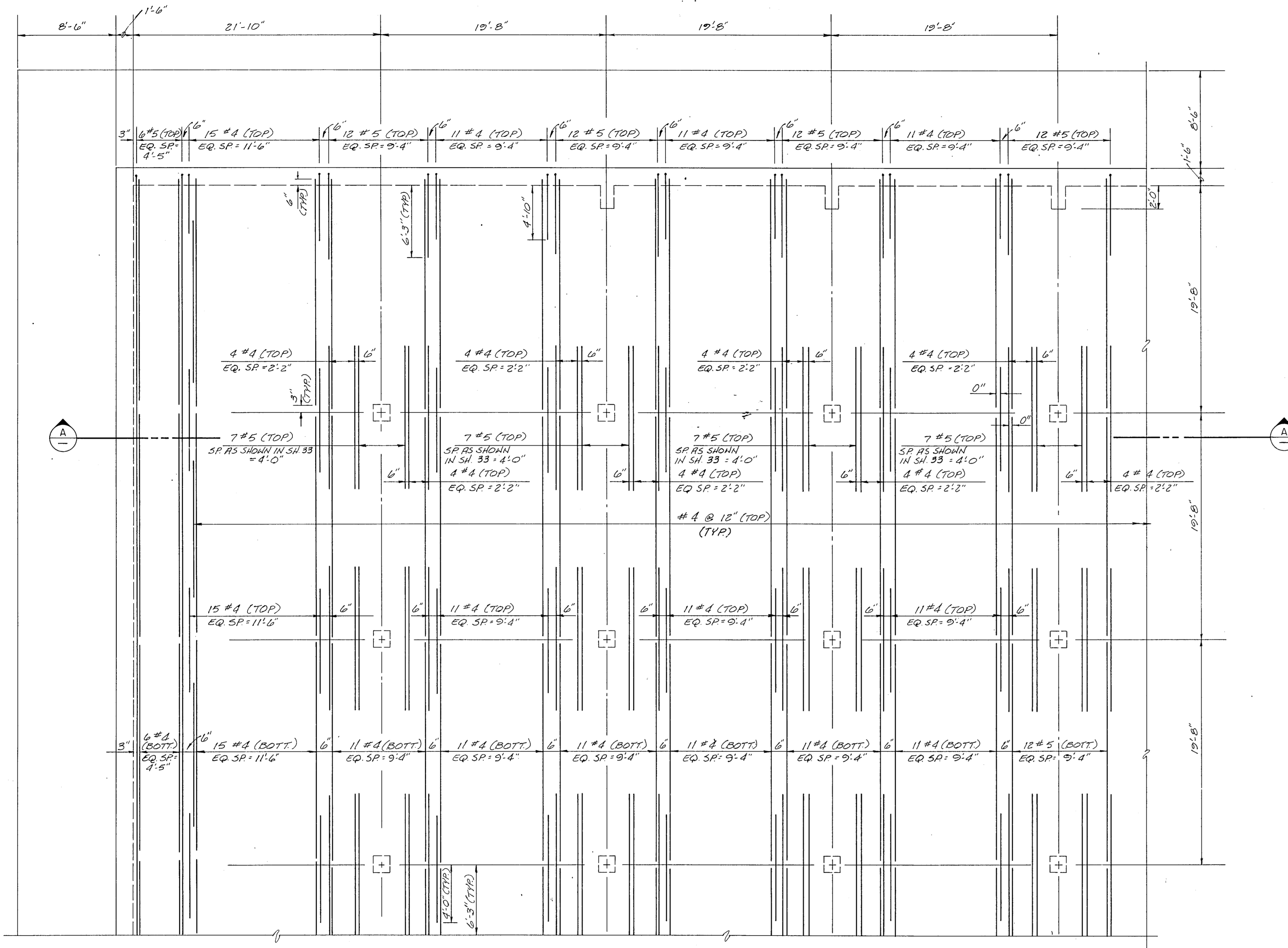
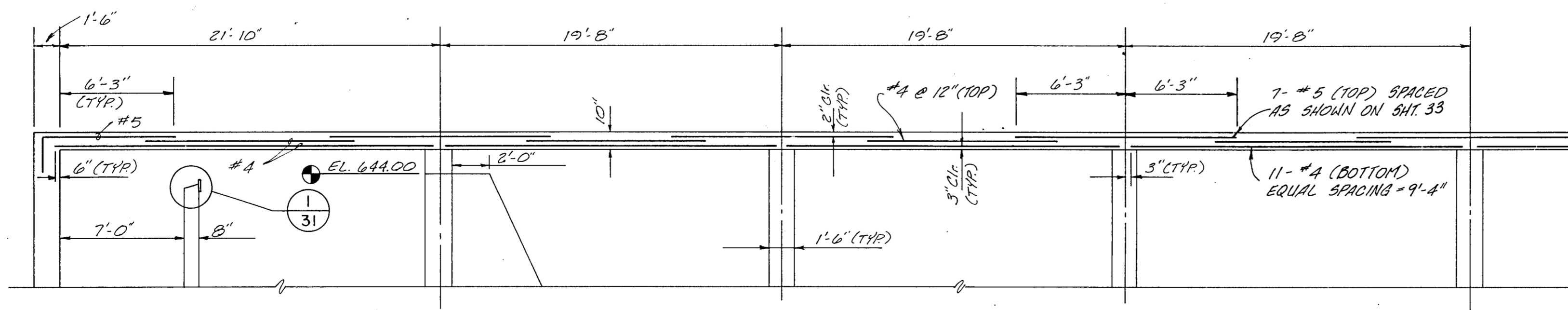


- NOTES: 1. FOR STRUCTURAL NOTES & DETAILS, SEE SHEET 34 OF 44.
 2. WALL REINFORCING STEEL NOT SHOWN FOR CLARITY!
 3. ALL OPENINGS TO HAVE EXTRA REINF. STEEL AS SHOWN IN DETAIL 3 ON SHEET 34 OF 44.
 4. STEEL REINF. LAP LENGTHS AS SHOWN IN DETAIL 1 ON SHEET 34 OF 44.
 5. ALL HOOKS SHOWN TO BE STANDARD A.C.I. HOOKS
 6. 1" EXPANSION JOINT ACROSS ROOF SLAB & VERTICAL WALLS AT LOCATIONS SHOWN ON PLANS.
 7. OPENINGS ARE NOT SHOWN FOR CLARITY. SEE SHEET 26 OF 44 FOR ROOF SLAB PENETRATION LOCATIONS.



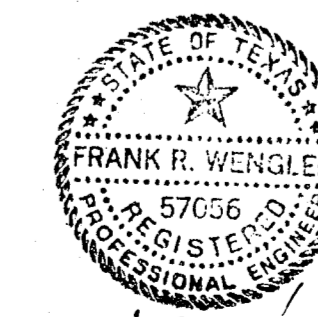
ROOF PLAN
NORTHWEST CORNER
 SCALE: 3/16"=1'-0"

⊙ EAST/WEST REINFORCING STEEL NOT SHOWN FOR CLARITY. REINFORCEMENT STEEL SIZE AND SPACING IS SIMILAR TO THAT SHOWN IN THE NORTH/SOUTH DIRECTION.



SECTION
 SCALE: 3/16"=1'-0"

⊙ NORTH/SOUTH REINFORCEMENT STEEL NOT SHOWN FOR CLARITY. SEE PLAN VIEW FOR SPACING REQUIREMENTS.



FLW
 4/9/89

NO.	DATE	REVISION	APPROVED
BELTWOOD RESERVOIR EXPANSION RESERVOIR ROOF DETAILS			
DALLAS WATER UTILITIES CITY OF DALLAS, TEXAS TurnerCollie & Braden Inc.			
DESIGN	F.R.W.	CONTRACT NO.	SHEET NO.
DRAWN	C.A.	89-79	32
TRACED		FILE NO.	630 Q 700 F
CHECKED			OF 44
DATE	5/89		