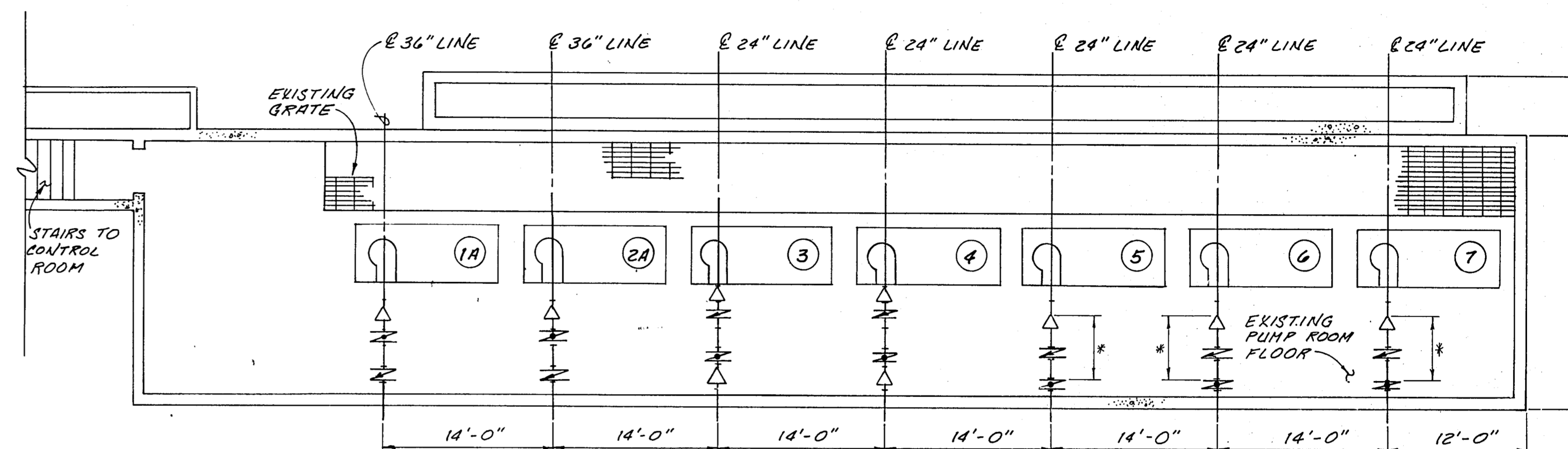


TYPICAL BUTTERFLY VALVE INSTALLATION

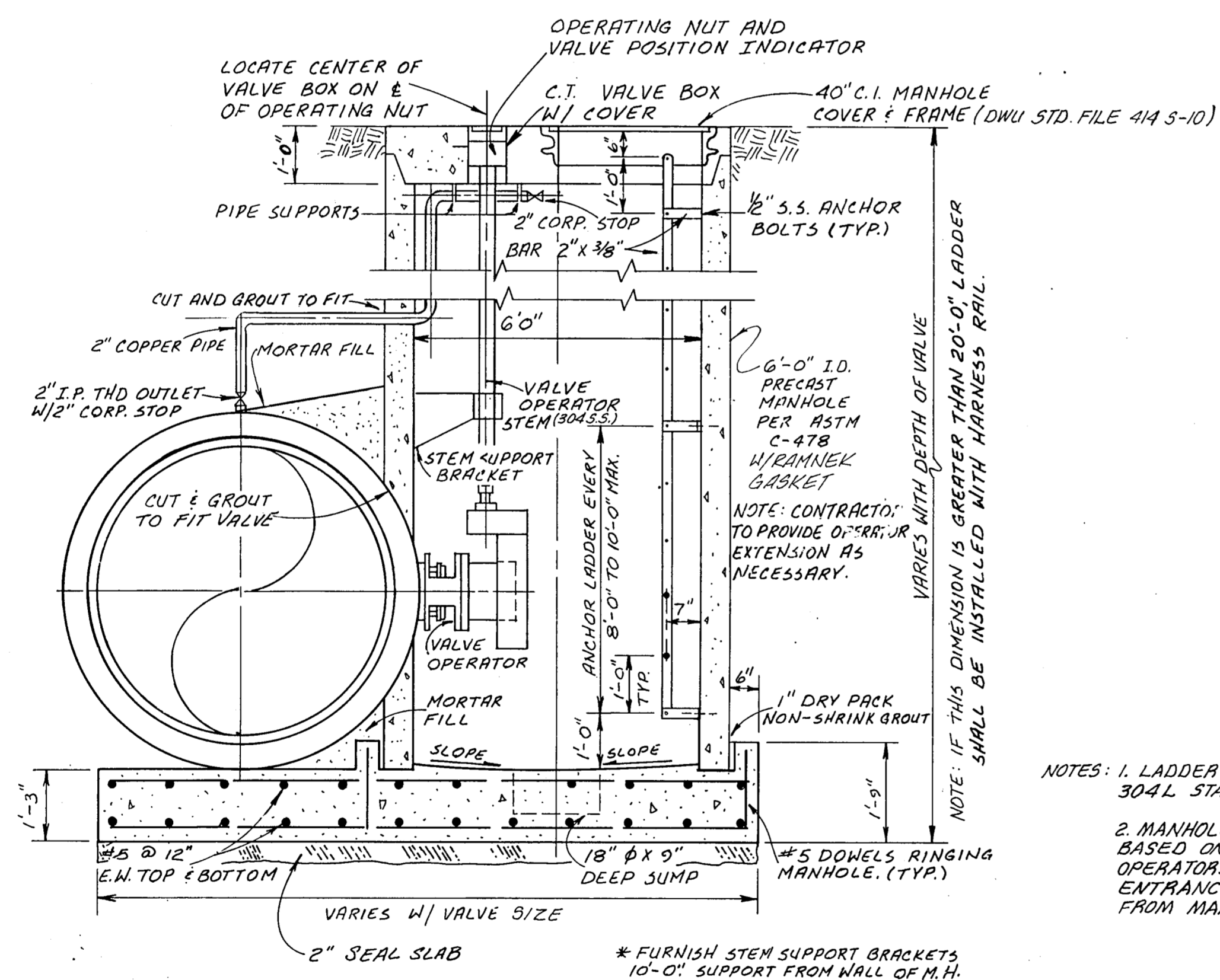
SCALE: 1/2" = 1'-0"



* DENOTES LIMITS OF TILTING DISC CHECK VALVE INSTALLATION. EXISTING CHECK VALVE AND ASSOCIATED PIPEWORK TO BE REMOVED AND REPLACED. REMOVE EXISTING INCREASES, CHECK VALVES AND PIPE SPOOLS. INSTALL NEW INCREASES, TILTING DISC CHECK VALVES, PIPE SPOOLS, AND FLANGED COUPLING ADAPTERS BASED ON CONTRACTOR'S FIELD MEASUREMENTS (PUMPS 5, 6, AND 7) SIZES TO BE THE SAME AS EXISTING. VALVES TO BE THE SAME SIZE AS EXISTING.

PUMP ROOM PLAN

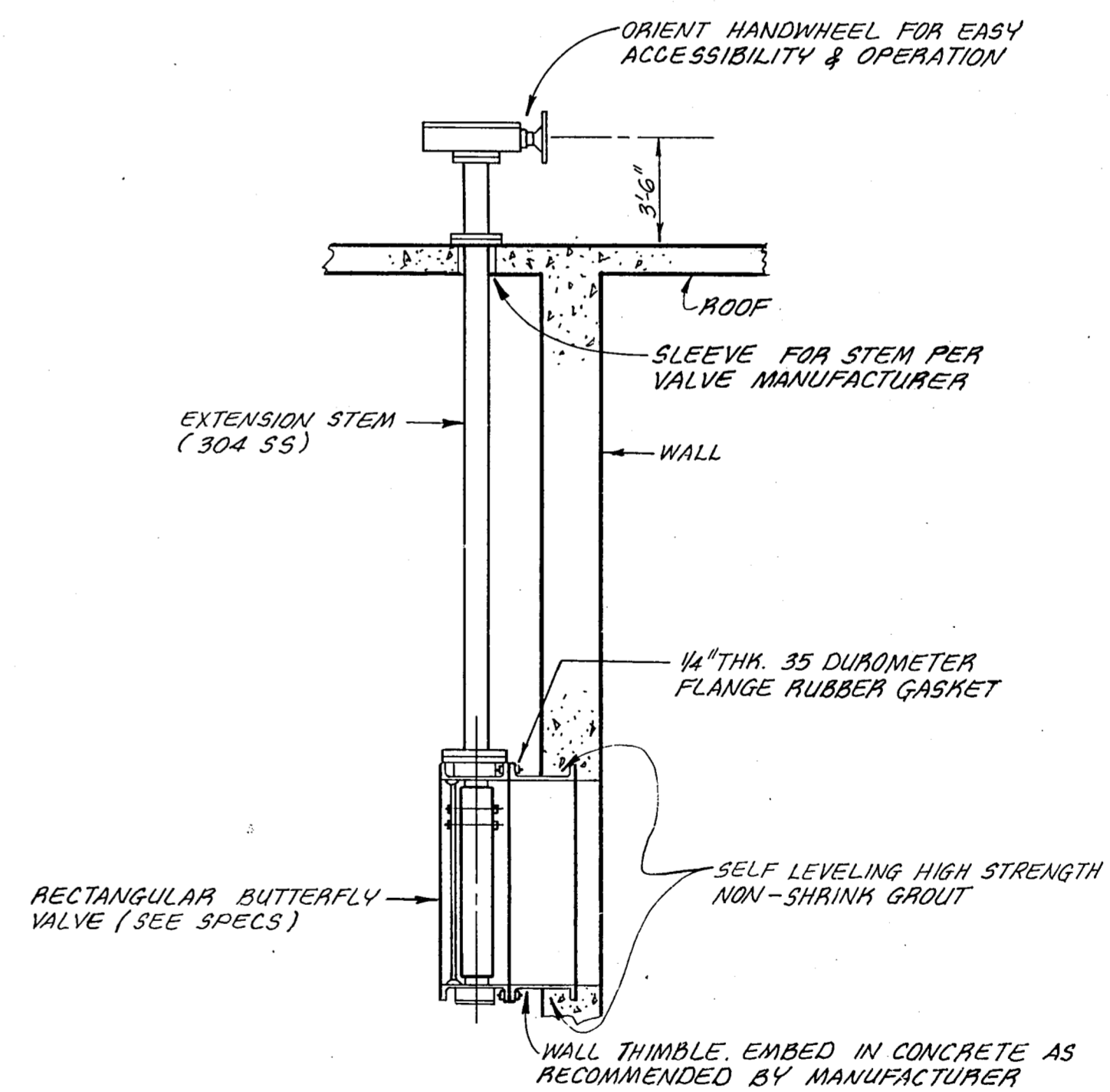
SCALE: 1/8" = 1'-0"



NOTES: 1. LADDER SHALL BE 304 STAINLESS STEEL AND 304L STAINLESS STEEL IF WELDING IS TO BE USED.
2. MANHOLE AND ENTRANCE OPENING ARE SIZED BASED ON LIMITORQUE OPERATORS. IF OTHER OPERATORS ARE USED, ADJUST MANHOLE AND ENTRANCE SIZES FOR EASY REMOVAL OF OPERATORS FROM MANHOLE AT NO ADDITIONAL COST TO OWNER.

SECTION

SCALE: 1/2" = 1'-0"



TYPICAL RECTANGULAR BUTTERFLY VALVE MOUNTING DETAIL

N.T.S.



NO.	DATE	REVISION	APPROVED
BELTWOOD RESERVOIR EXPANSION			
MISCELLANEOUS MECHANICAL DETAILS			
DALLAS WATER UTILITIES CITY OF DALLAS, TEXAS			
Turner Collier & Braden Inc.			
DESIGN	F.R.W.	CONTRACT NO.	SHEET NO.
DRAWN	D.J.B.	89-79	39
TRACED		FILE NO.	
CHECKED		630 Q 700 F	
DATE	5/89		OF 44