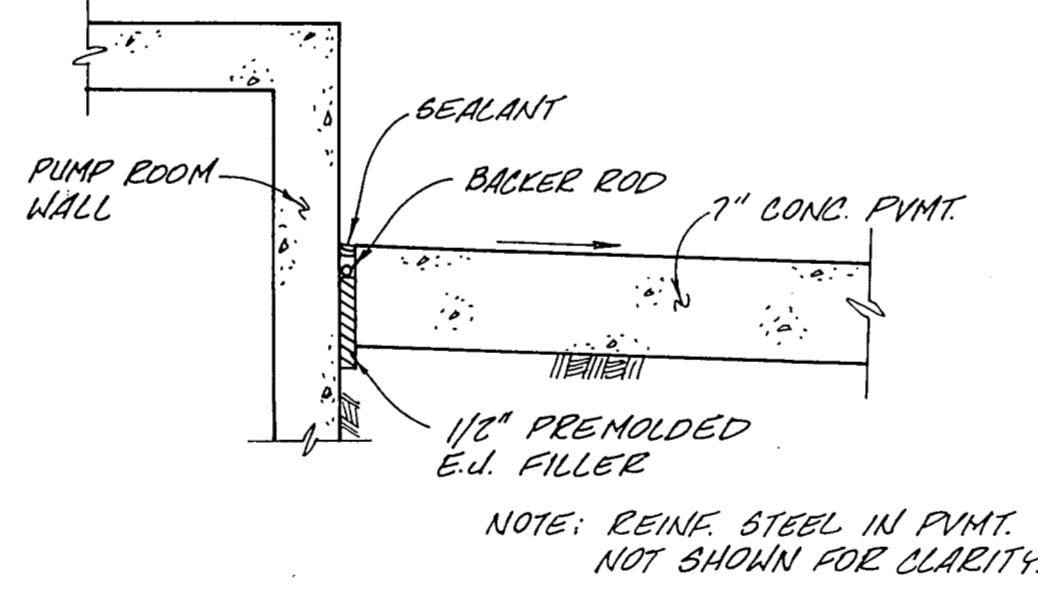
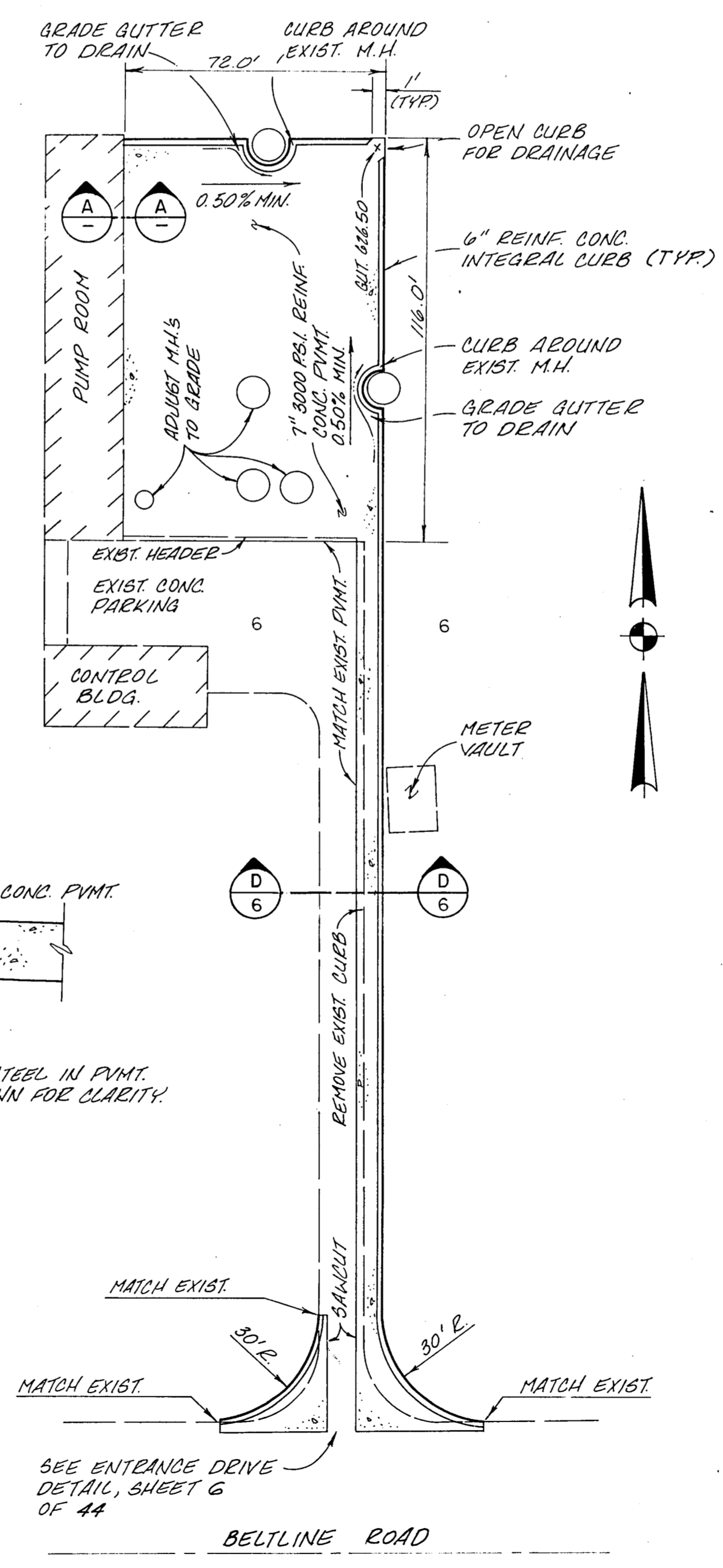


- NOTES:
- 1/2" DWEL EXPANSION JOINT WITH EXPANSION JOINT FILLER EVERY 80' (MAX) SEE DETAIL 4, SHEET 34 FOR CONSTR. DETAILS. NO WATERSTOP REQ.
 - CONCRETE FOR CHANNEL TO BE MIN. 3000 PSI. COMPRESSIVE STRENGTH AT 28 DAYS AND MINIMUM CEMENT CONTENT OF 4/8 SACKS (423 LBS) PER C.Y. OF CONCRETE.
 - REINFORCING STEEL IN RESERVOIR WALLS AND SLAB NOT SHOWN FOR CLARITY.

SECTION E-5
N.T.S.

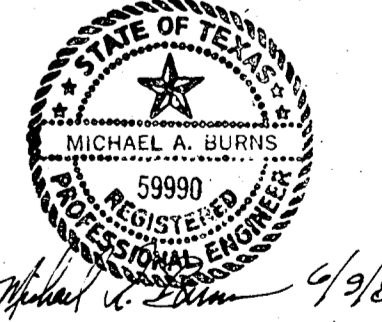


SECTION A-1
N.T.S.



PAVING PLAN
N.T.S.

B.M. 1/4" CUT IN S.E. CORNER OF PUMP PIT'S STRUCTURE BEHIND PUMP HOUSE AT BELTWOOD PUMP STATION. SITE ELEV. = 630.02



NO.	DATE	REVISION	APPROVED
BELTWOOD RESERVOIR EXPANSION			
MISCELLANEOUS CIVIL DETAILS			
DALLAS WATER UTILITIES CITY OF DALLAS, TEXAS			
Turner Collie & Braden Inc.			
DESIGN	M.A.B.	CONTRACT NO.	89-79
DRAWN	A.B.C.	FILE NO.	630 Q 700 F
TRACED			
CHECKED			
DATE	5/89		
			SHEET NO. 7 OF 44