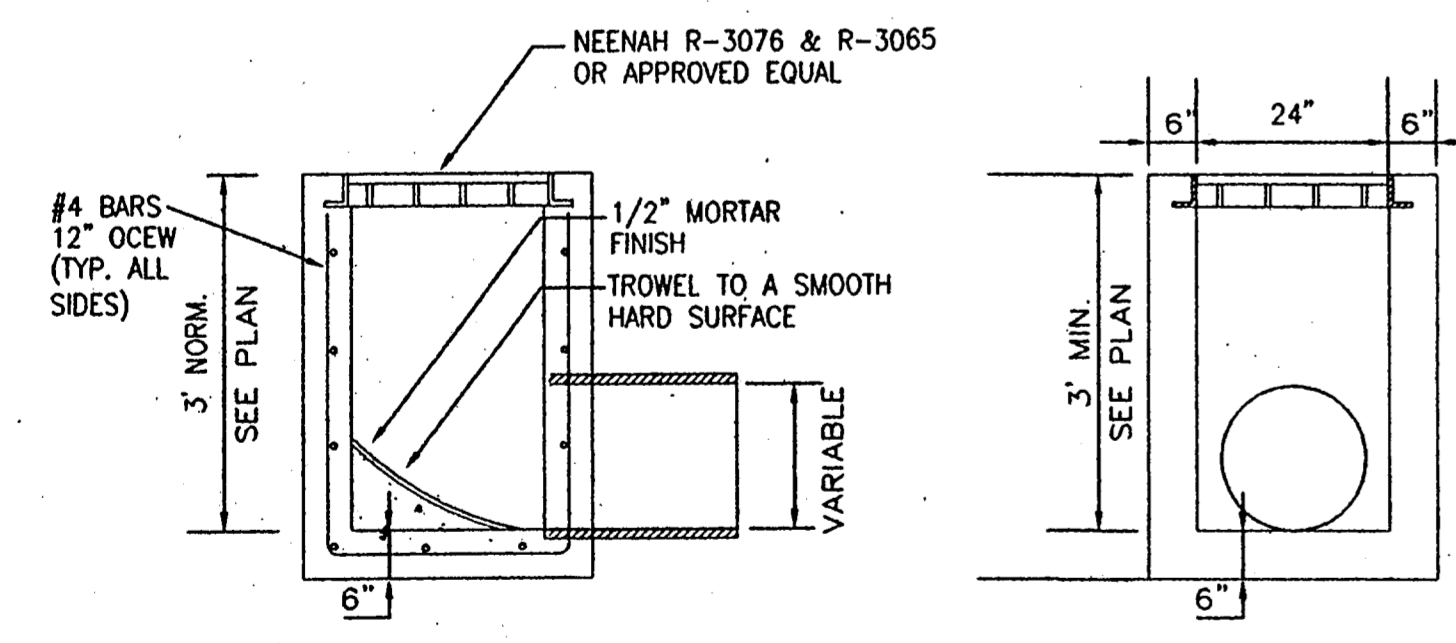
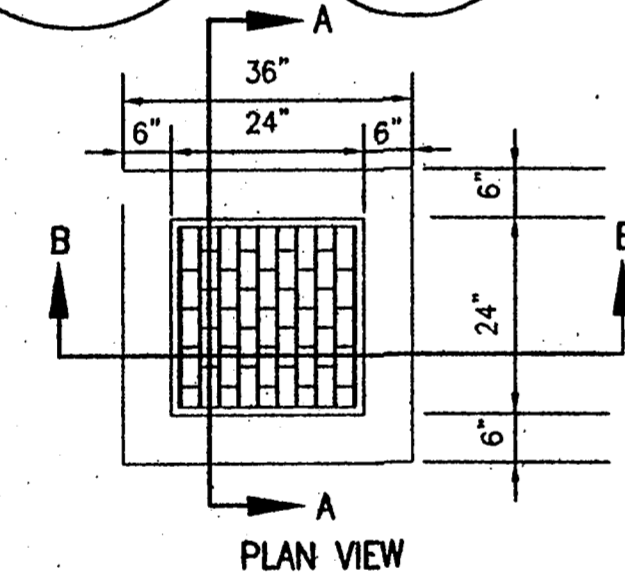
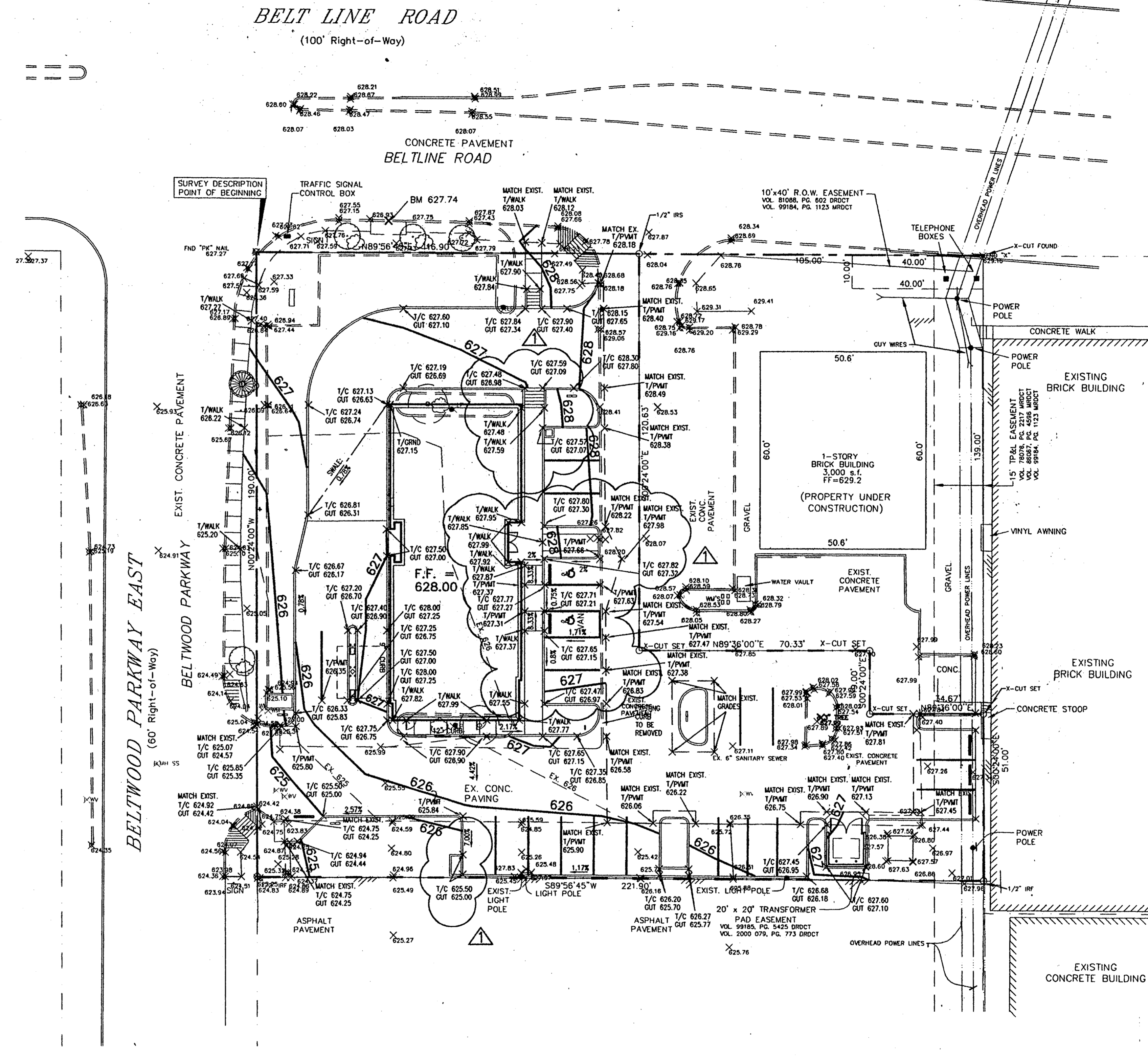


2 STORM SEWER PLAN
SCALE: 1" = 20'-0"



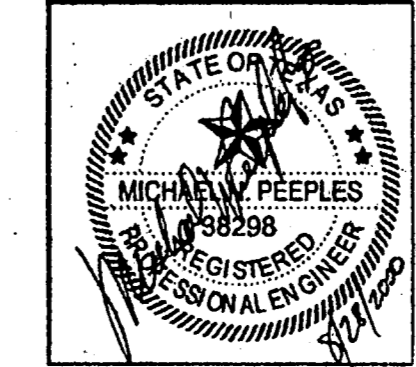
ONE GRATE INLET DETAILS
SCALE: NTS



1 GRADING PLAN
SCALE: 1" = 20'-0"



MICHAEL PEEPLES
ENGINEERS & PLANNERS
2514 TARPLEY ROAD, #118 - CARROLLTON, TX 75006
972-416-1968 (TEL) 972-416-5289 (FAX)



R-F
ROGERS-FORD
ARCHITECTURE-INTERIOR DESIGN
2616 THOMAS AVENUE
DALLAS, TEXAS 75204
TELEPHONE (214) 871-9388
FAX (214) 871-3155

LONG STAR BANK
4650 BELTLINE ROAD
at Beltwood Parkway East
ADDISON, TX.
Project # 1804

07-25-00 ISSUE FOR PERMIT
08/17/2000 ISSUE FOR BID
08/25/2000 ADDENDUM #1

CE-1

GRADING PLAN

Copyright 2000 ROGERS-FORD, L.L.C.
 Drawing: P:\AutoCad\Drawings\Projects\BelLine\Road.dwg as of Aug 27, 2000 - 4:03pm by MICHAEL PEEPLES