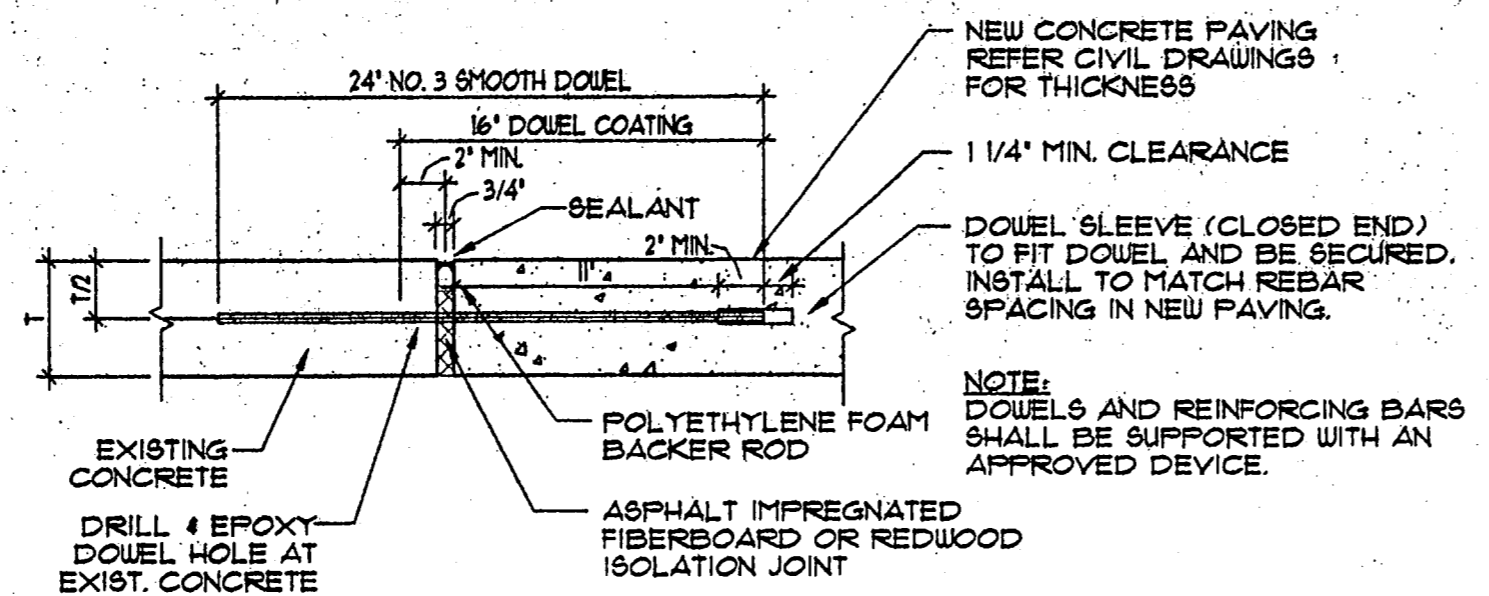
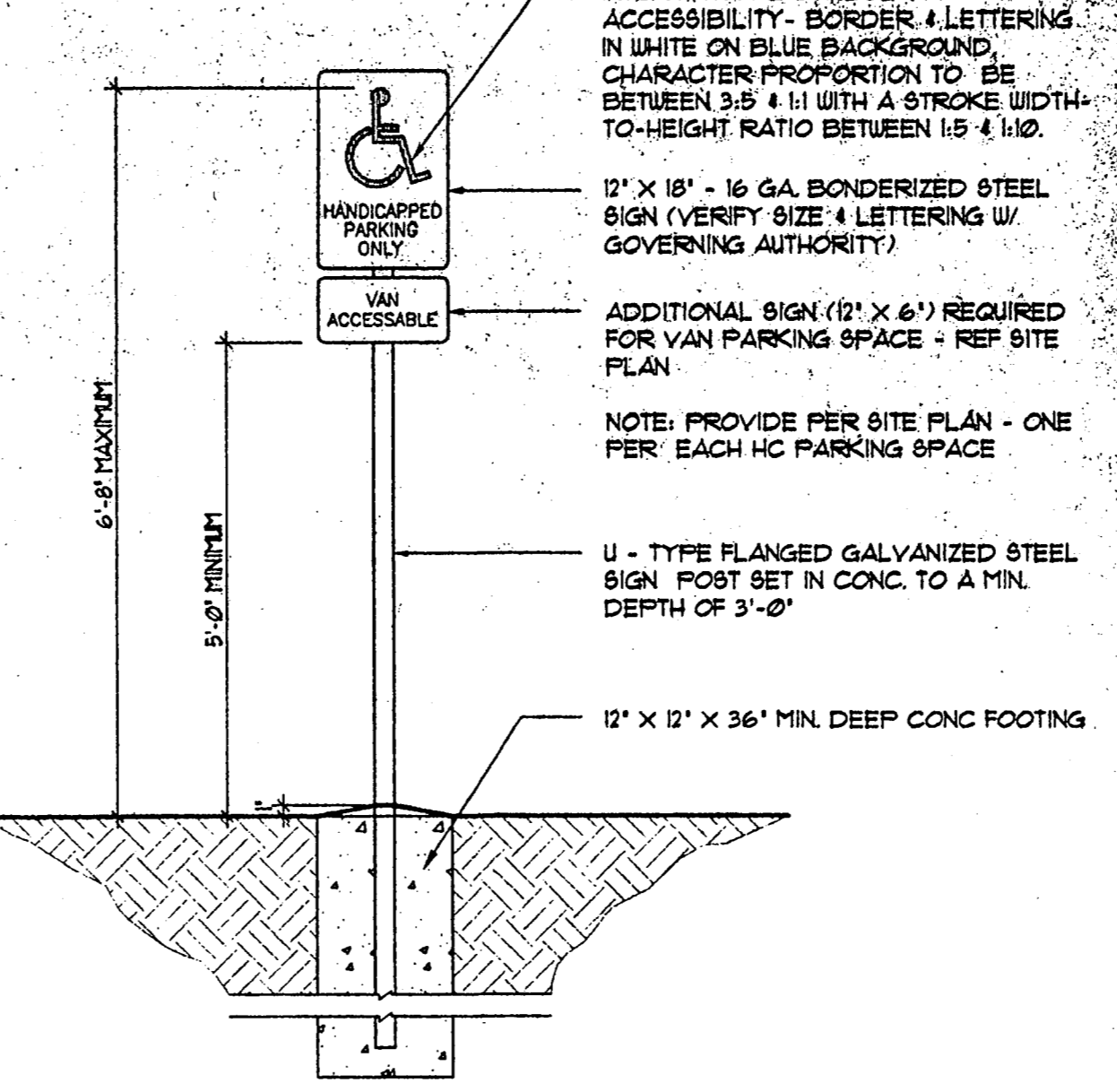


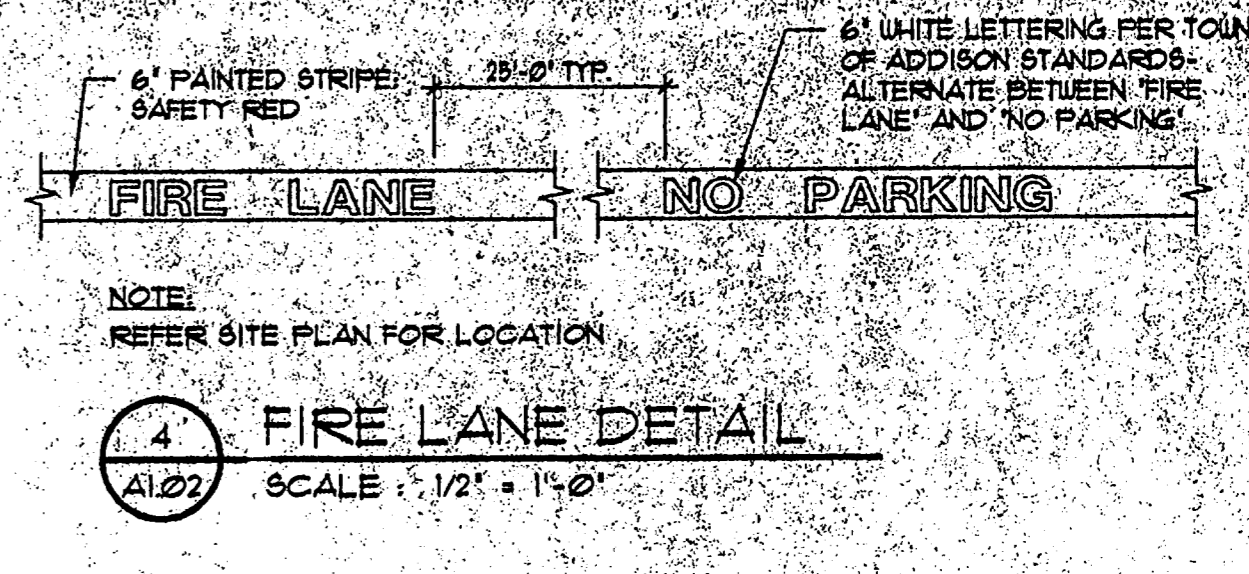
1 TYP. CONCRETE WALK  
SCALE: 1" = 1'-0"



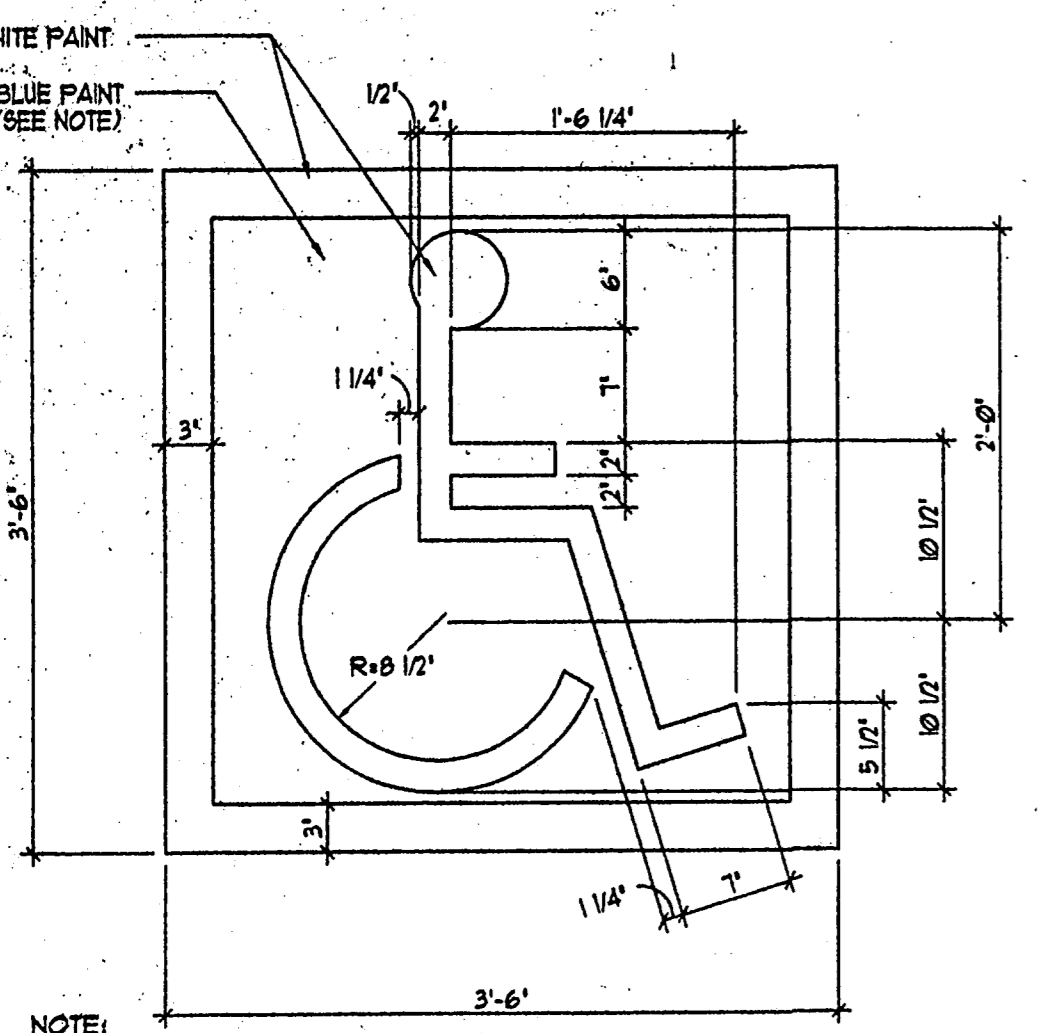
2 CONC. EXPANSION JOINT  
SCALE: 1-1/2" = 1'-0"



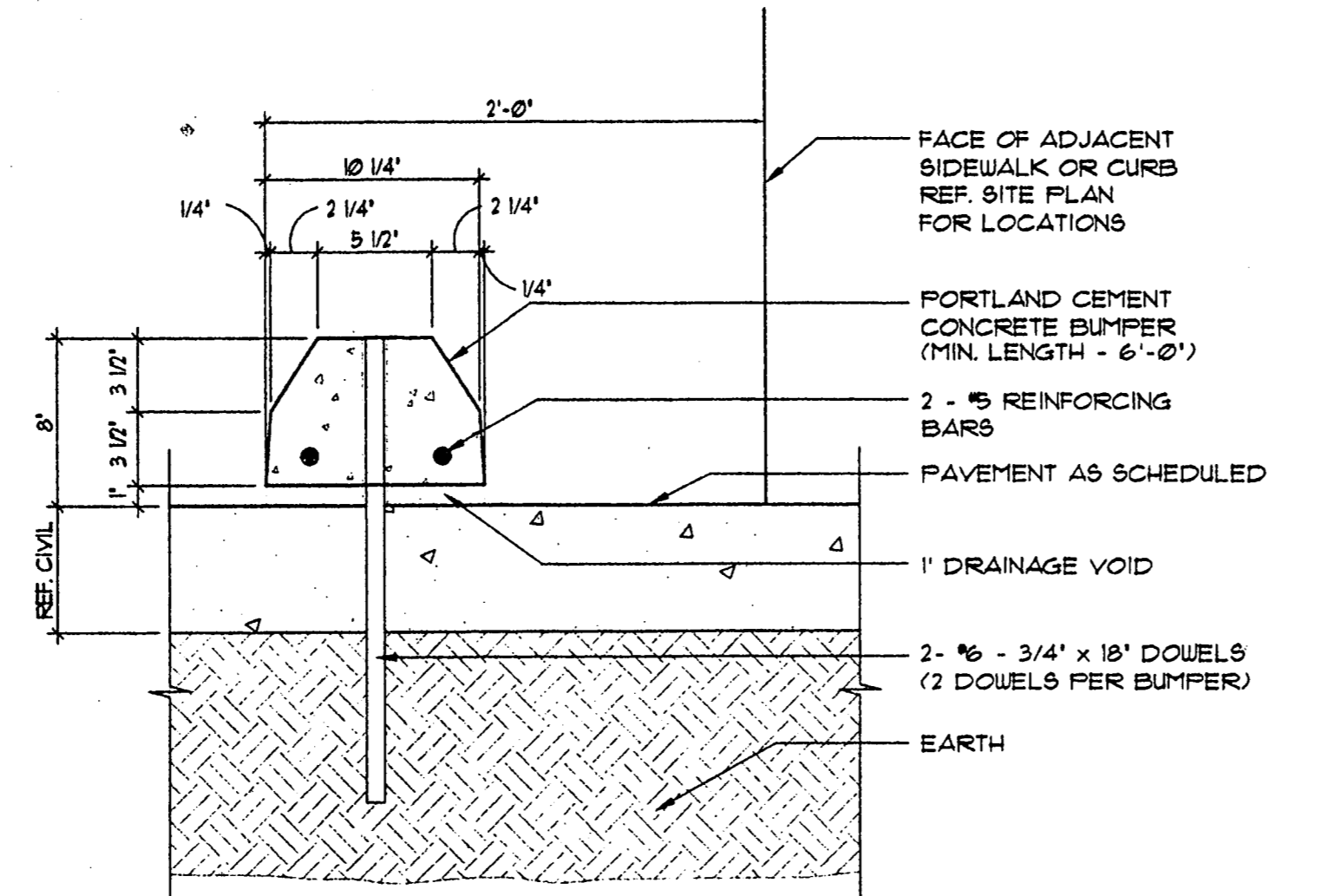
3 H.C. PARKING SIGN  
SCALE: 3/4" = 1'-0"



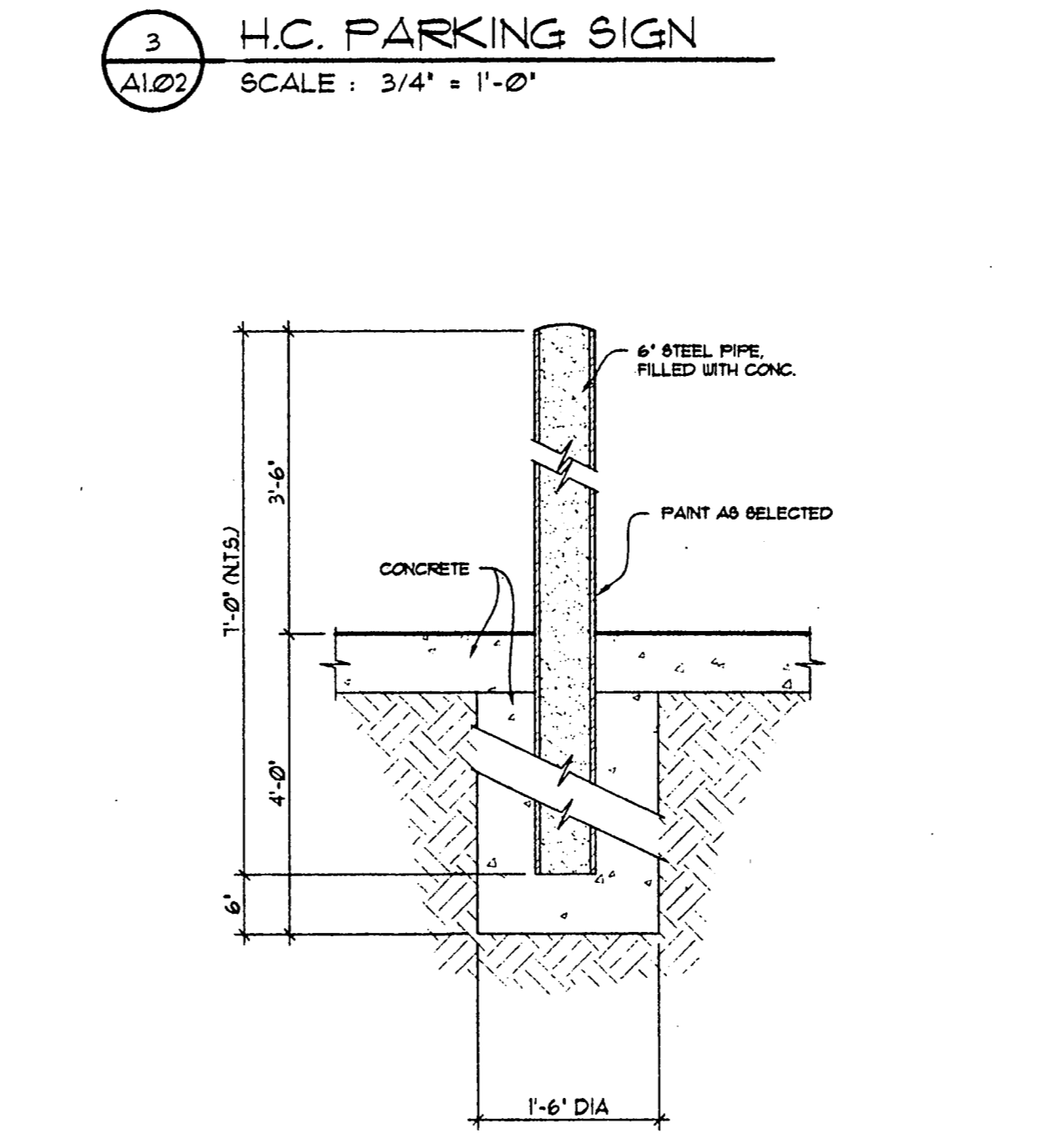
4 FIRE LANE DETAIL  
SCALE: 1/2" = 1'-0"



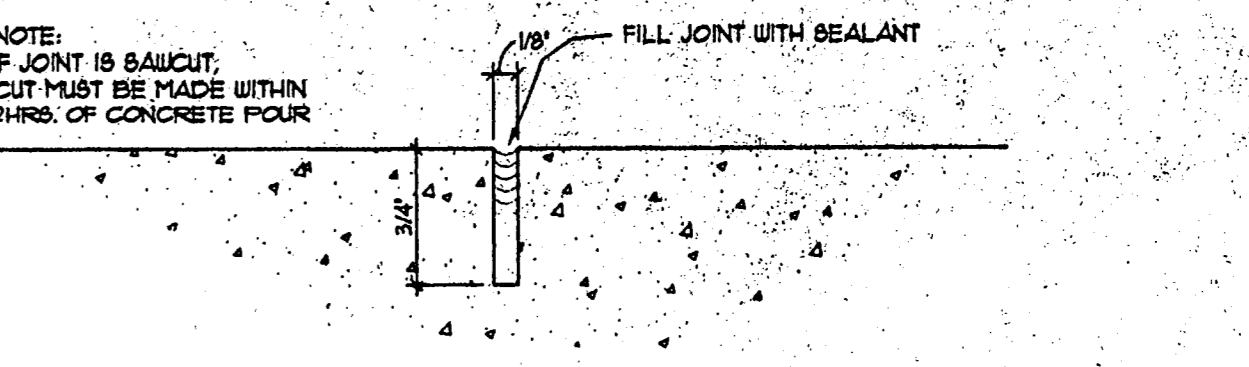
6 PAINTED H.C. SYMBOL  
SCALE: 1" = 1'-0"



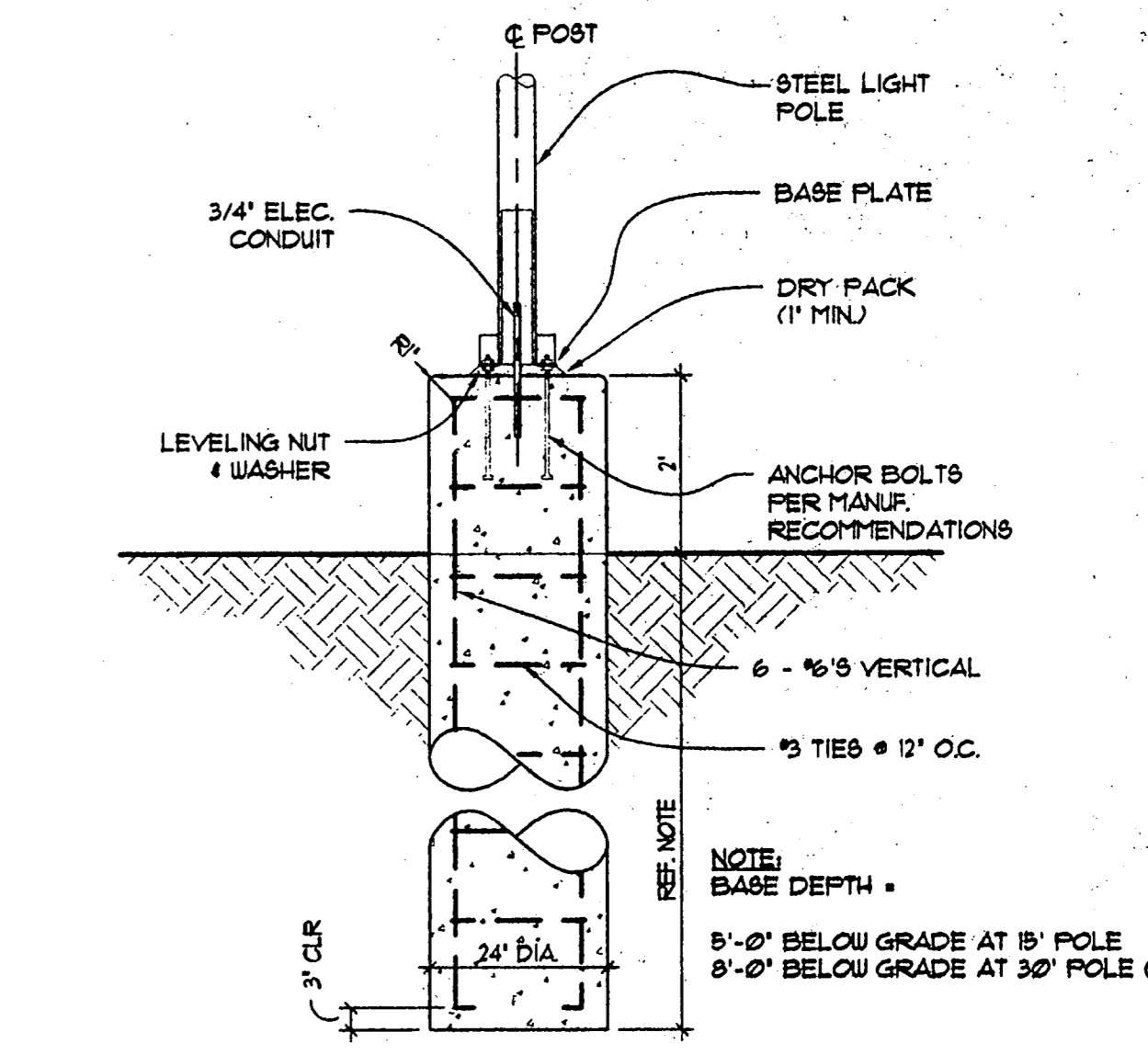
1 CONCRETE WHEEL STOP  
SCALE: 1-1/2" = 1'-0"



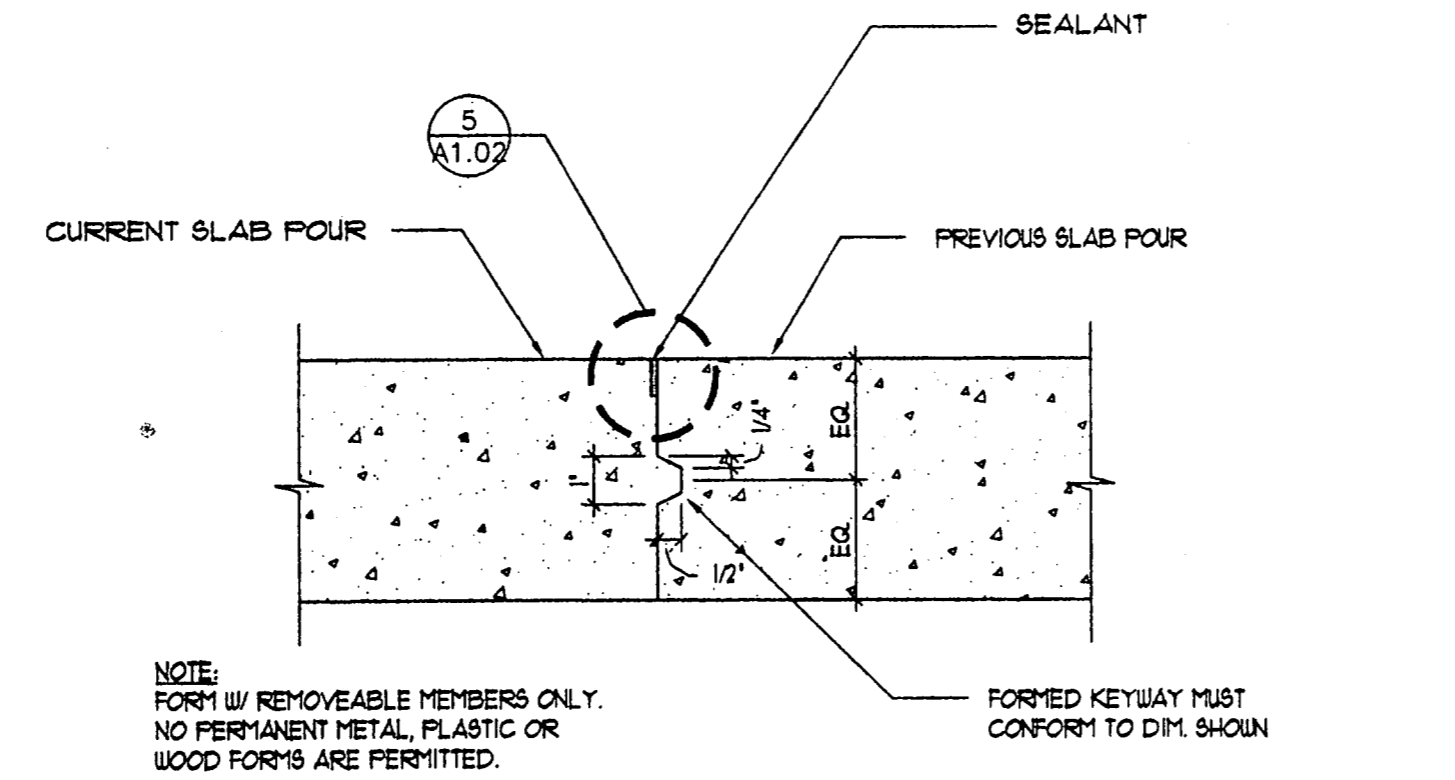
9 TYP. BOLLARD DETAIL  
SCALE: 3/4" = 1'-0"



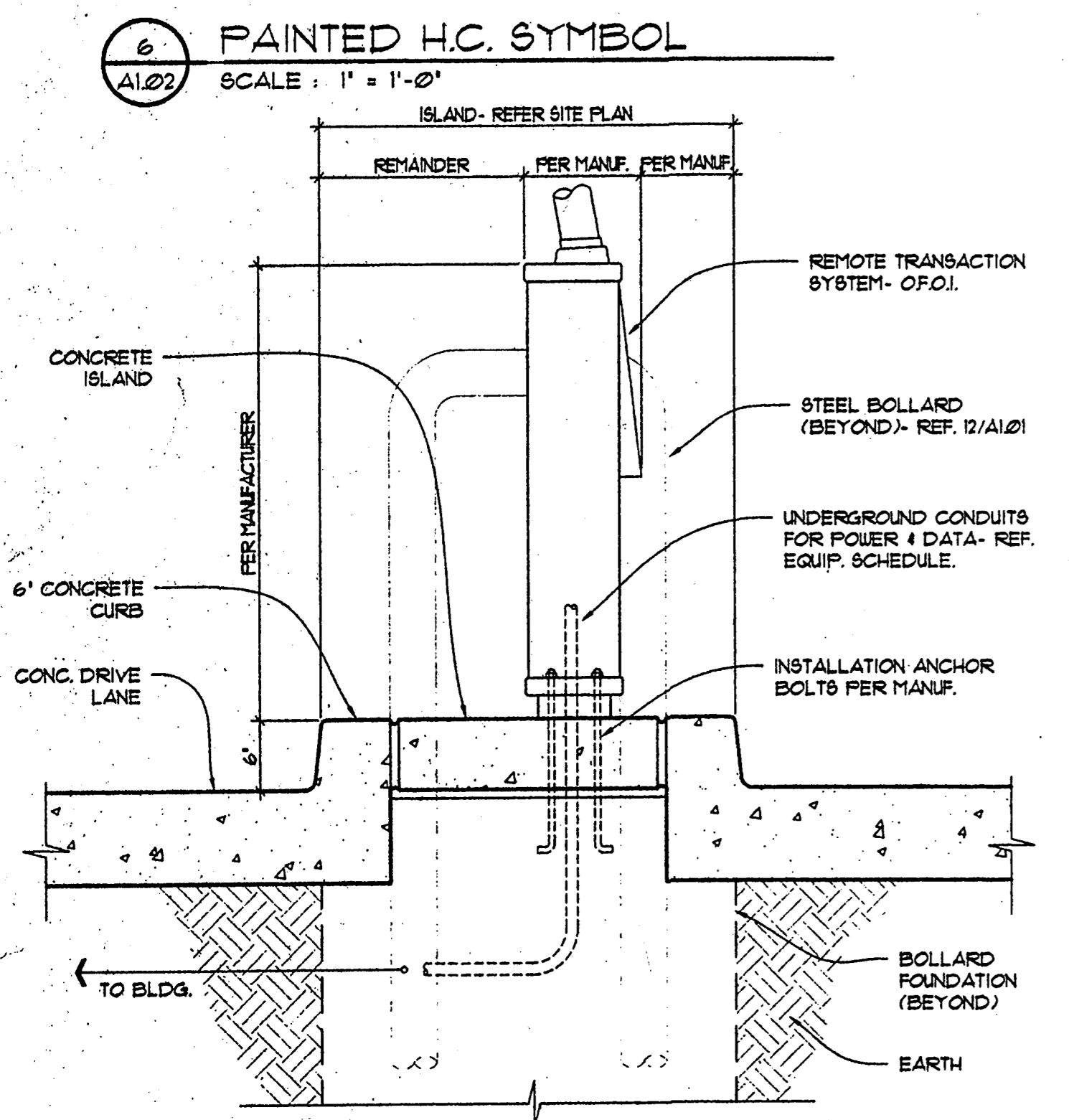
5 CONTROL JOINT DETAIL  
SCALE: FULL SCALE



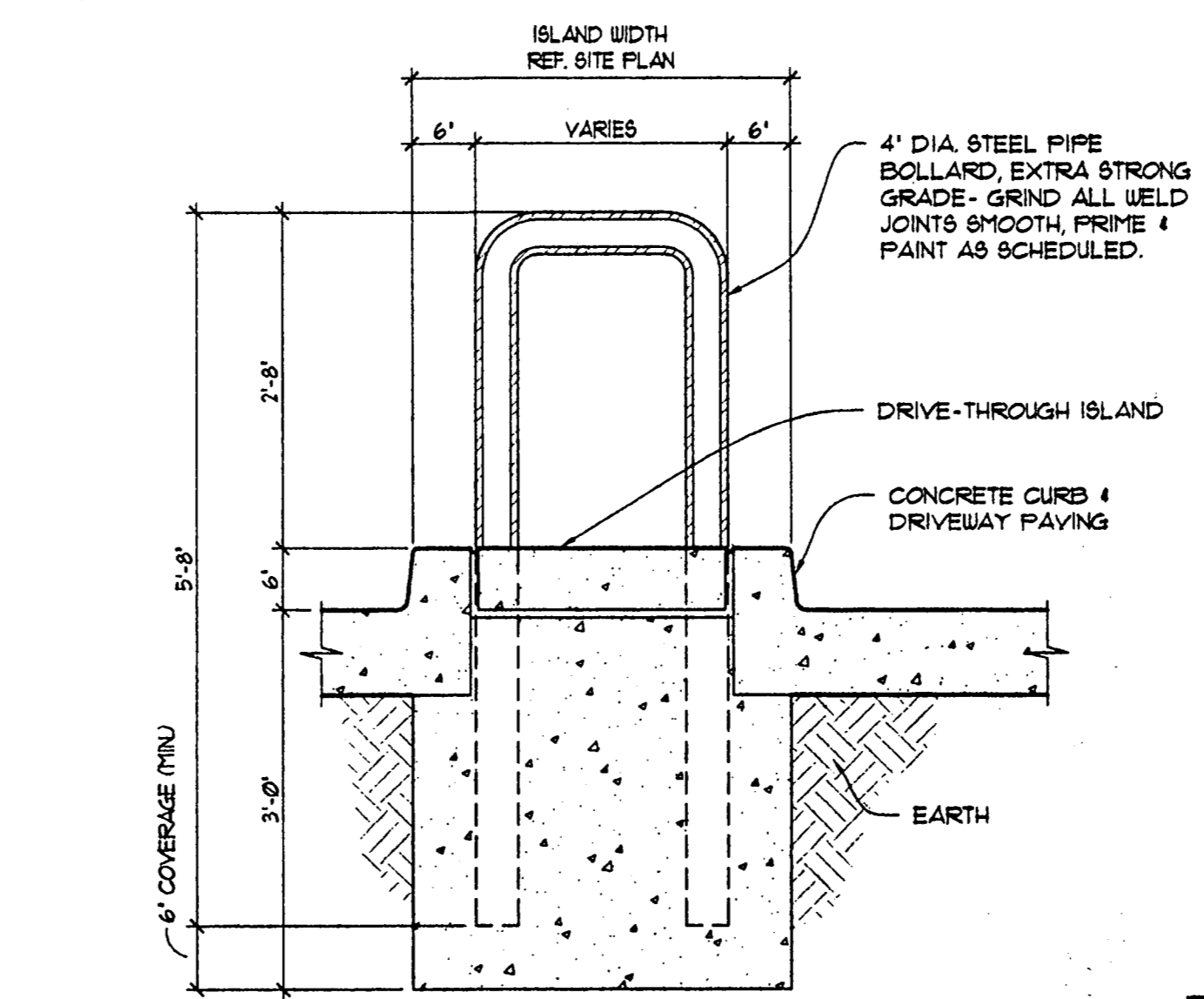
10 LIGHT POLE BASE DETAIL  
SCALE: 1/2" = 1'-0"



8 CONCRETE CONSTRUCTION JOINT  
SCALE: 3" = 1'-0"



11 DETAIL - TELLER UNIT @ DRIVE-THRU  
SCALE: 1" = 1'-0"



12 SECTION - 'U' SHAPED BOLLARD  
SCALE: 3/4" = 1'-0"

Copyright 2000 ROGERS-FORD, L.C.  
Drawing: P:\1804 LSB - Addison Arch\6-Drawings\addison\1804A.102.dwg at Aug 17, 2000 11:19am by mlc

	<b>R-F</b> ROGERS-FORD ARCHITECTURE - INTERIOR DESIGN 2616 THOMAS AVENUE DALLAS, TEXAS 75204 TELEPHONE (214) 871-9388 FAX (214) 871-3155	LONE STAR BANK 4650 BELTLINE ROAD at Beltwood Parkway East ADDISON, TX.	07-27-00 ISSUE FOR PERMIT 08-17-00 ISSUE FOR BID	<b>A1.02</b>
	Project # 1804		<b>SITE DETAILS</b>	