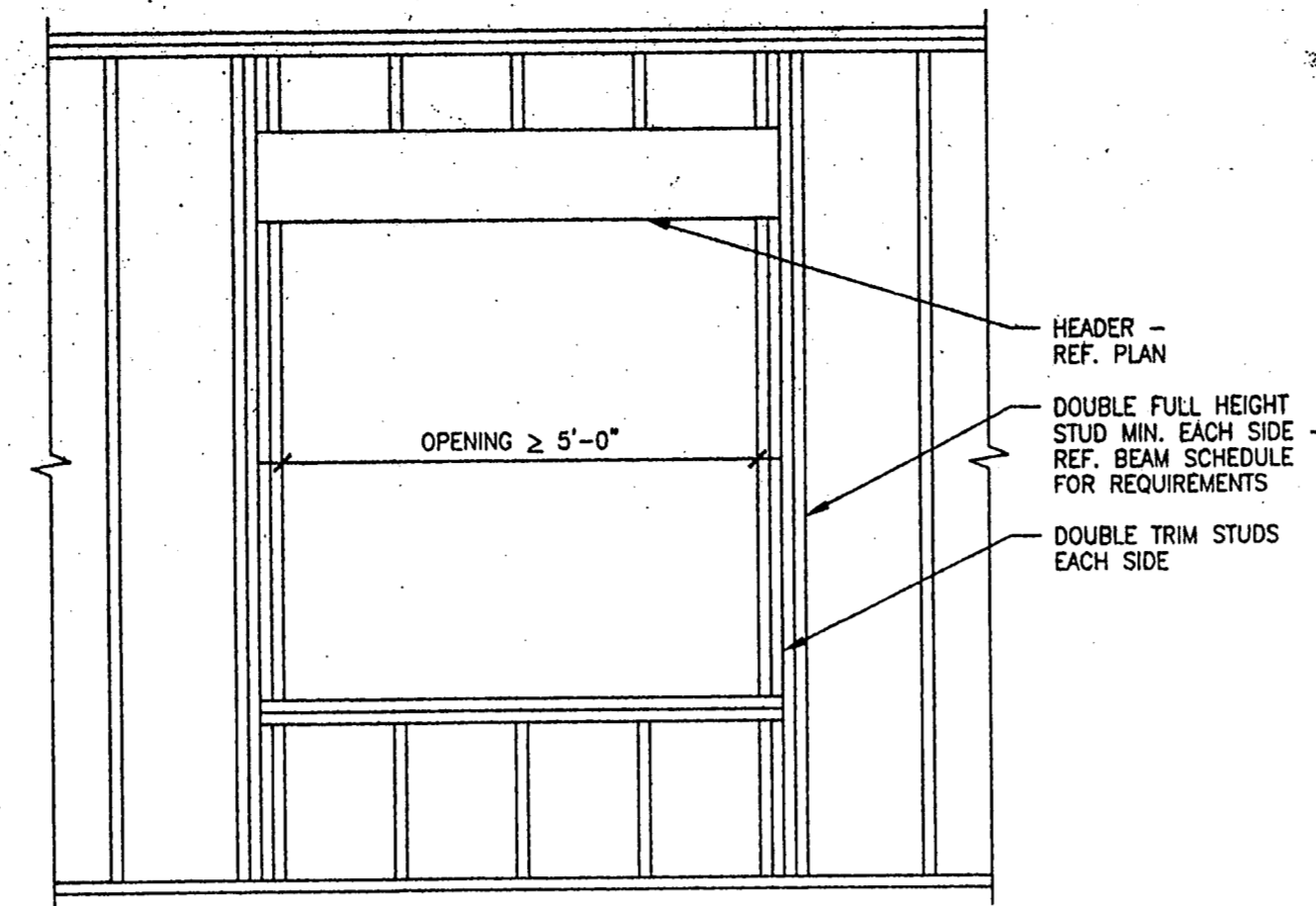
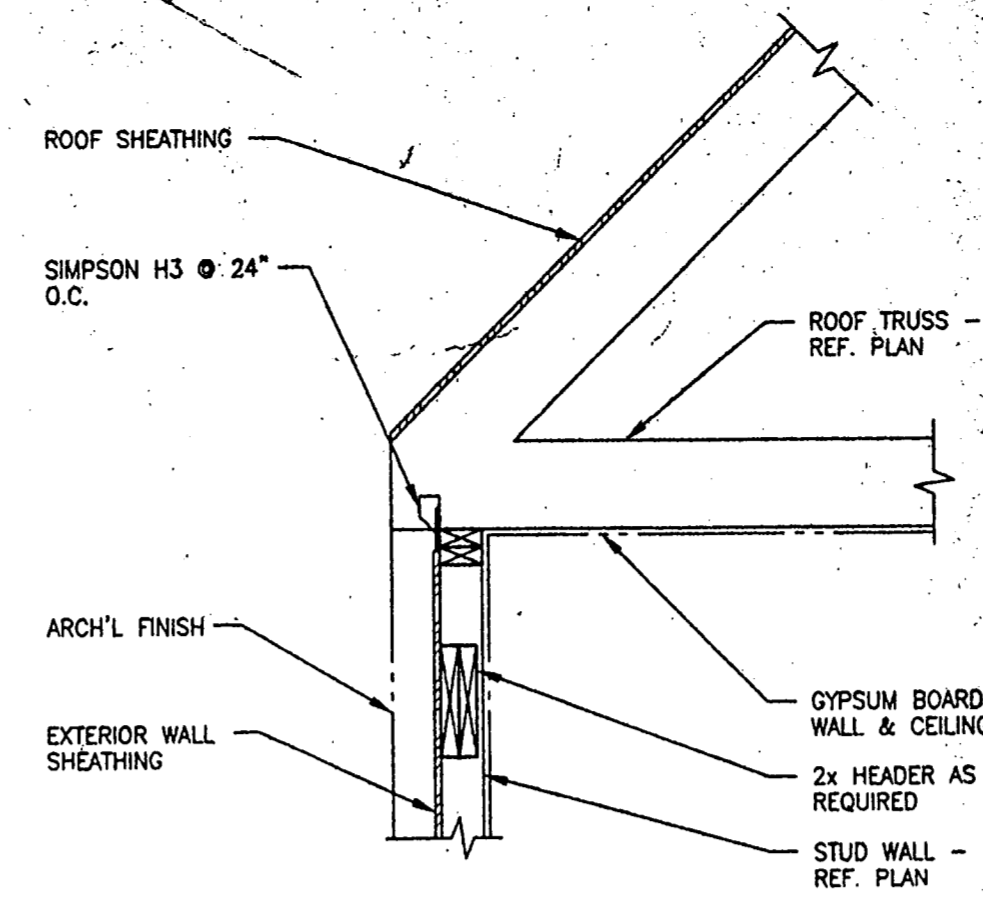


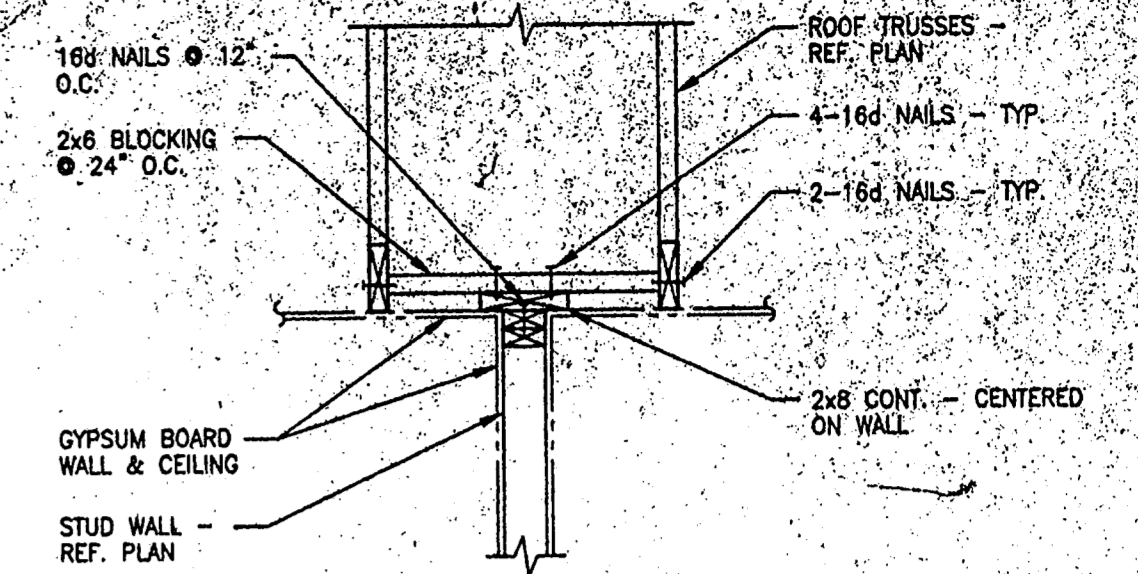
1 TYPICAL OPENING FRAMING AT  
2x STUD WALL - OPENING  $\le 5'-0''$   
NO SCALE



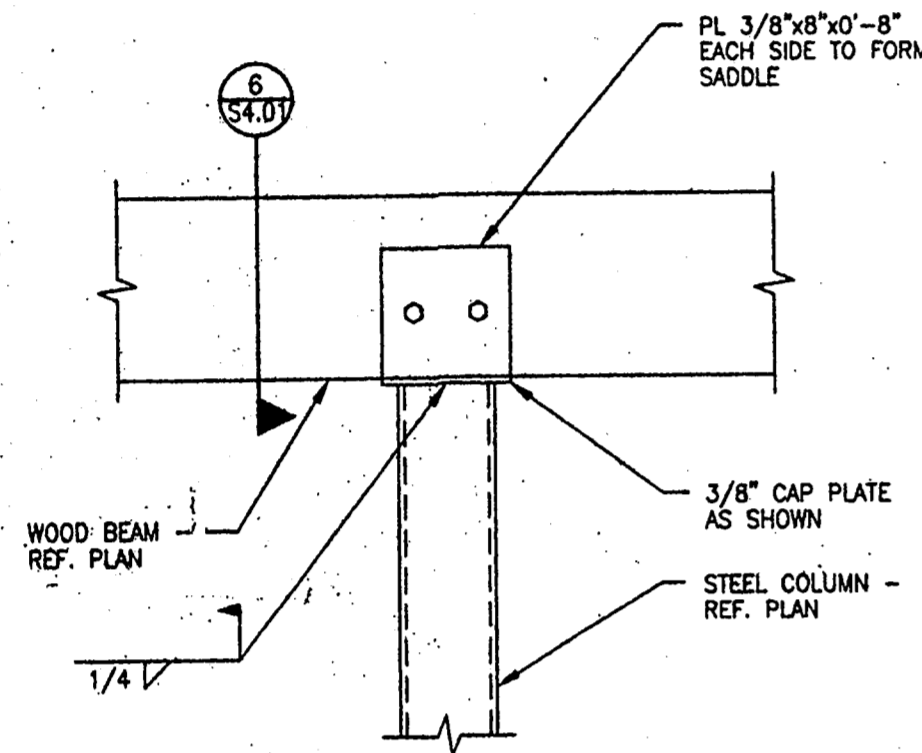
2 TYPICAL OPENING FRAMING AT  
2x STUD WALL - OPENING  $\ge 5'-0''$   
NO SCALE



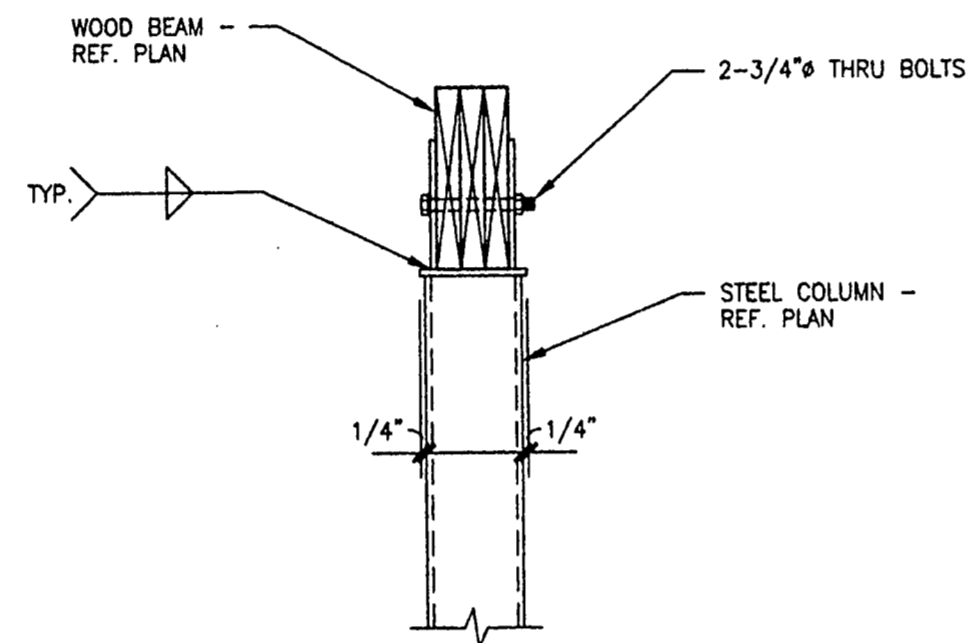
3 EXTERIOR ROOF DETAIL  
NO SCALE



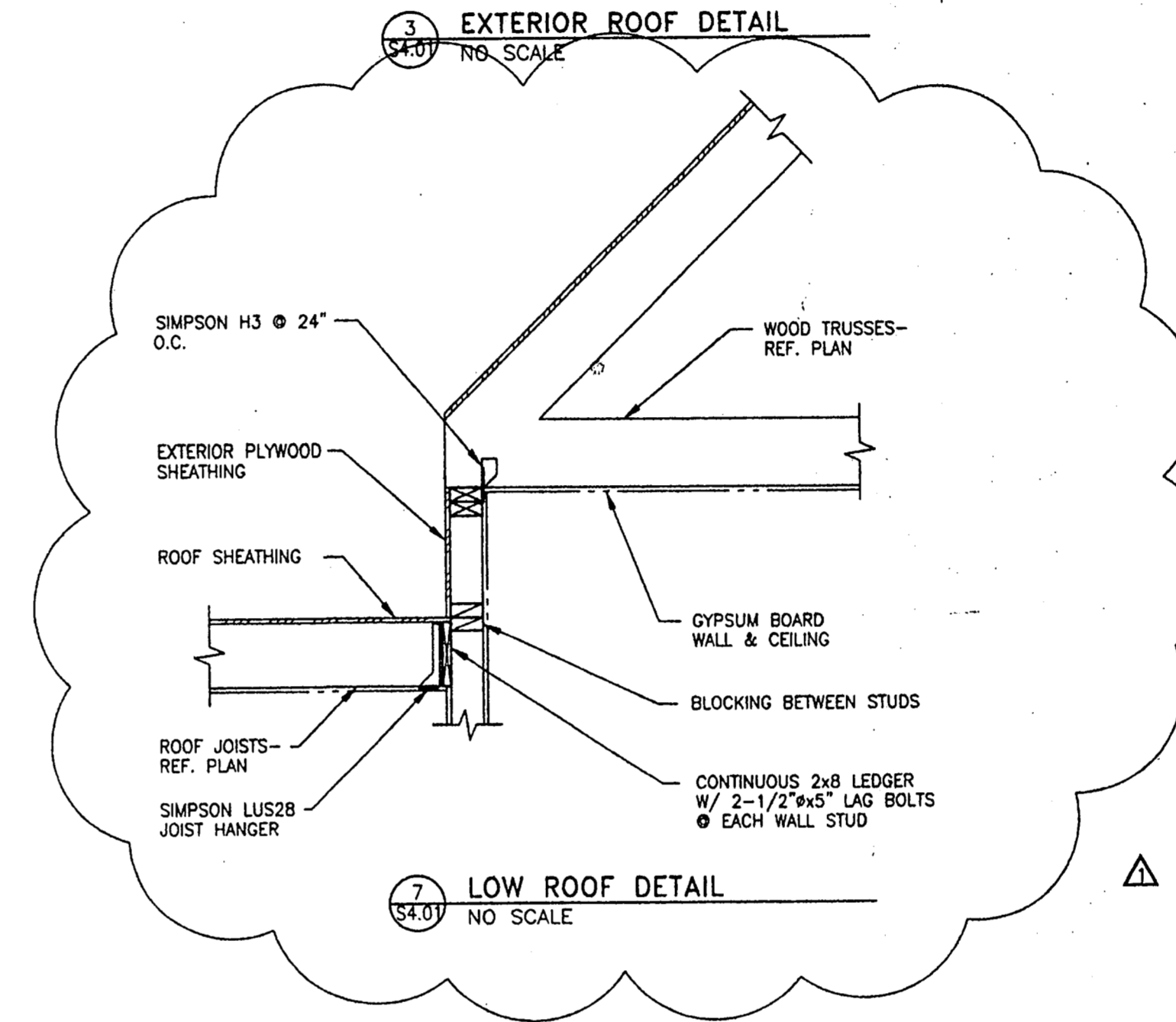
4 TYPICAL ROOF TRUSS TO  
INTERIOR SHEARWALL  
(ROOF TRUSS PARALLEL TO WALL)  
NO SCALE



5 DETAIL  
SCALE: 1"=1'-0"

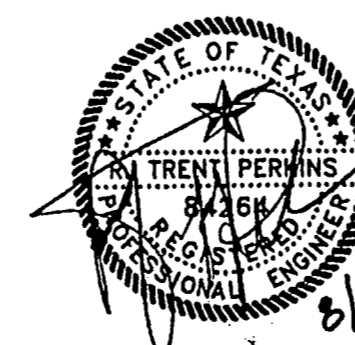


6 DETAIL  
SCALE: 1"=1'-0"



7 LOW ROOF DETAIL  
NO SCALE

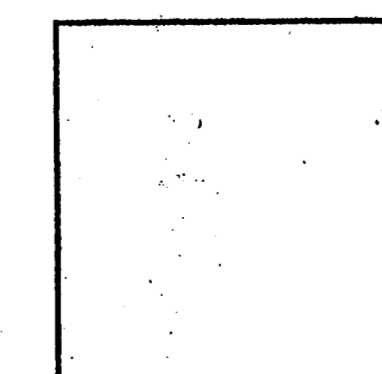
FILE INFO: 8018s401.dwg 1=16 09/25/00 11:48



THE SEAL APPEARING  
ON THIS DOCUMENT  
WAS AUTHORIZED BY  
R. TRENT PERKINS, P.E. 84264  
ON  
27 JULY 00

THIS DOCUMENT IS THE RENDERING OF A  
PROFESSIONAL SERVICE, THE ESSENCE OF  
WHICH IS THE PROVIDING OF ADVICE, JUDGEMENT,  
OPINION, OR SIMILAR PROFESSIONAL SKILL.

**P P O**  
Parkin • Perkins • Olsen  
Consulting Engineering, Inc.  
12970 Pandora Drive Suite 200  
Dallas, Texas 75238  
Tel 214.221.2220 - Fax 214.221.2252  
Project No. 38018



**R-F**  
ROGERS • FORD  
ARCHITECTURE - INTERIOR DESIGN  
2616 THOMAS AVENUE  
DALLAS, TEXAS 75204  
TELEPHONE (214) 871-9388  
FAX (214) 971-3155

LONG STAR BANK  
4650 Bellline Road  
Addicks, TX  
Project # 1804

7-27-2000 PERMIT ISSUE  
8-17-2000 ISSUE FOR BID  
8-25-2000 ADDENDUM #1

S4.01

FRAMING DETAILS