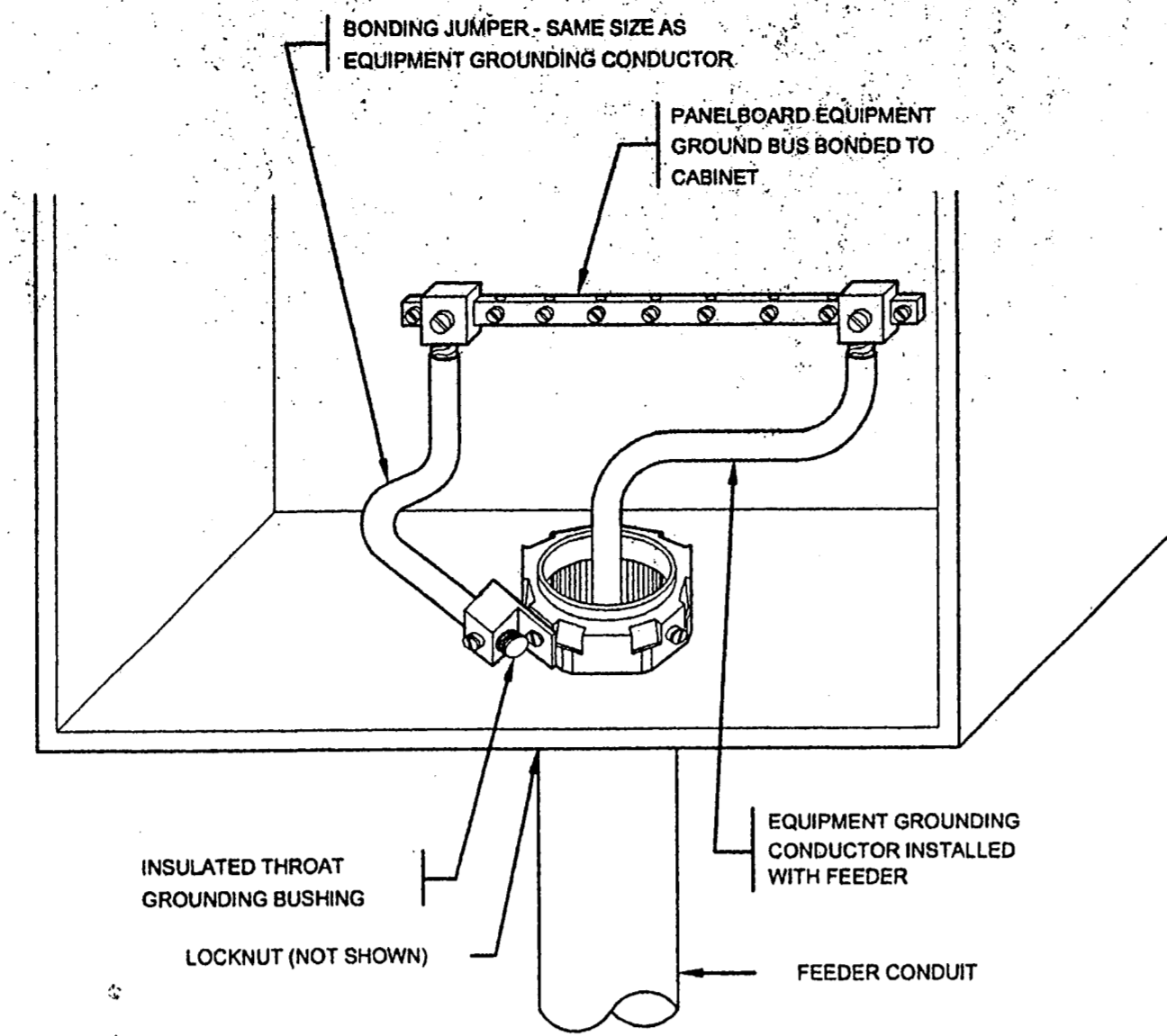
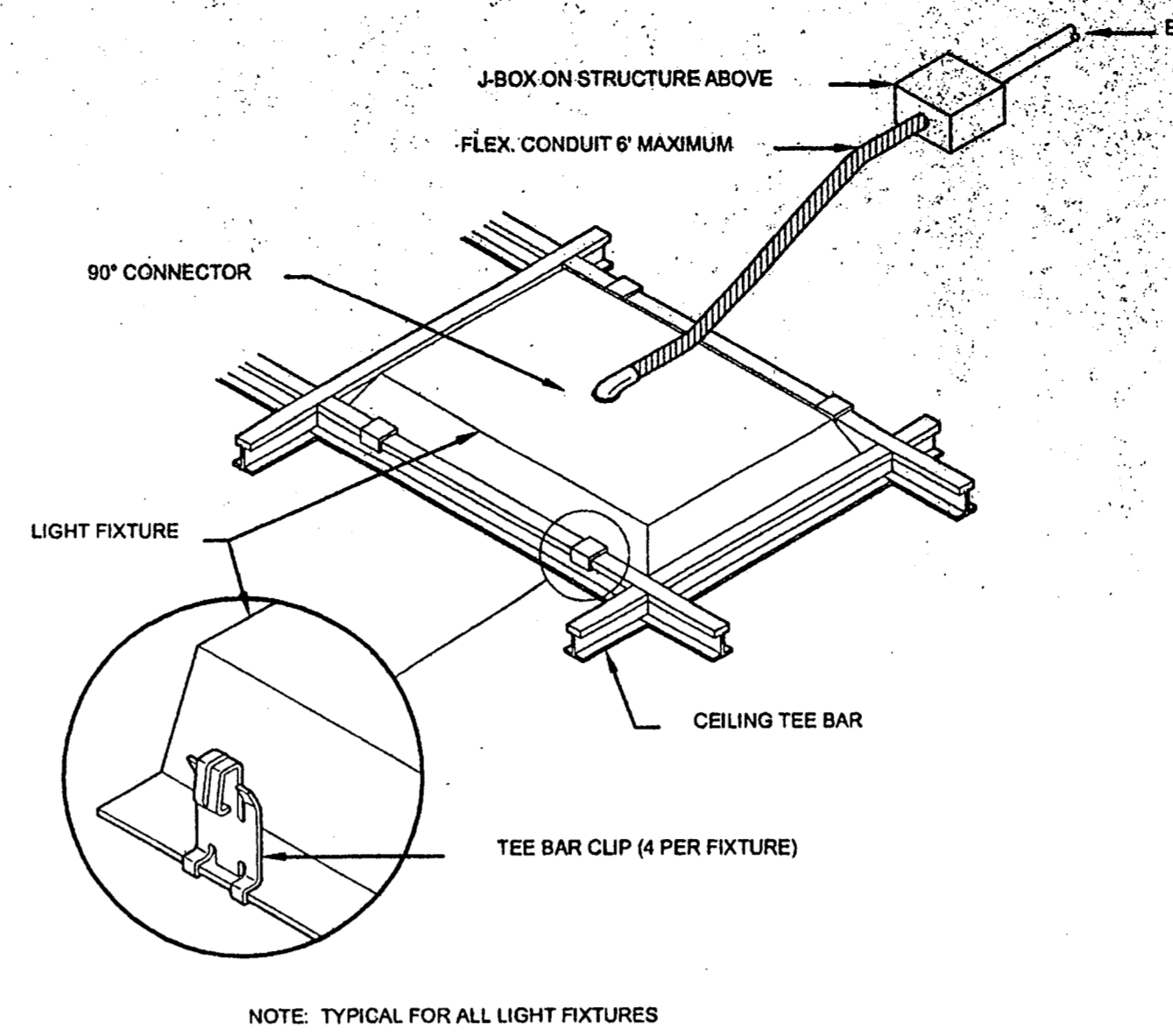


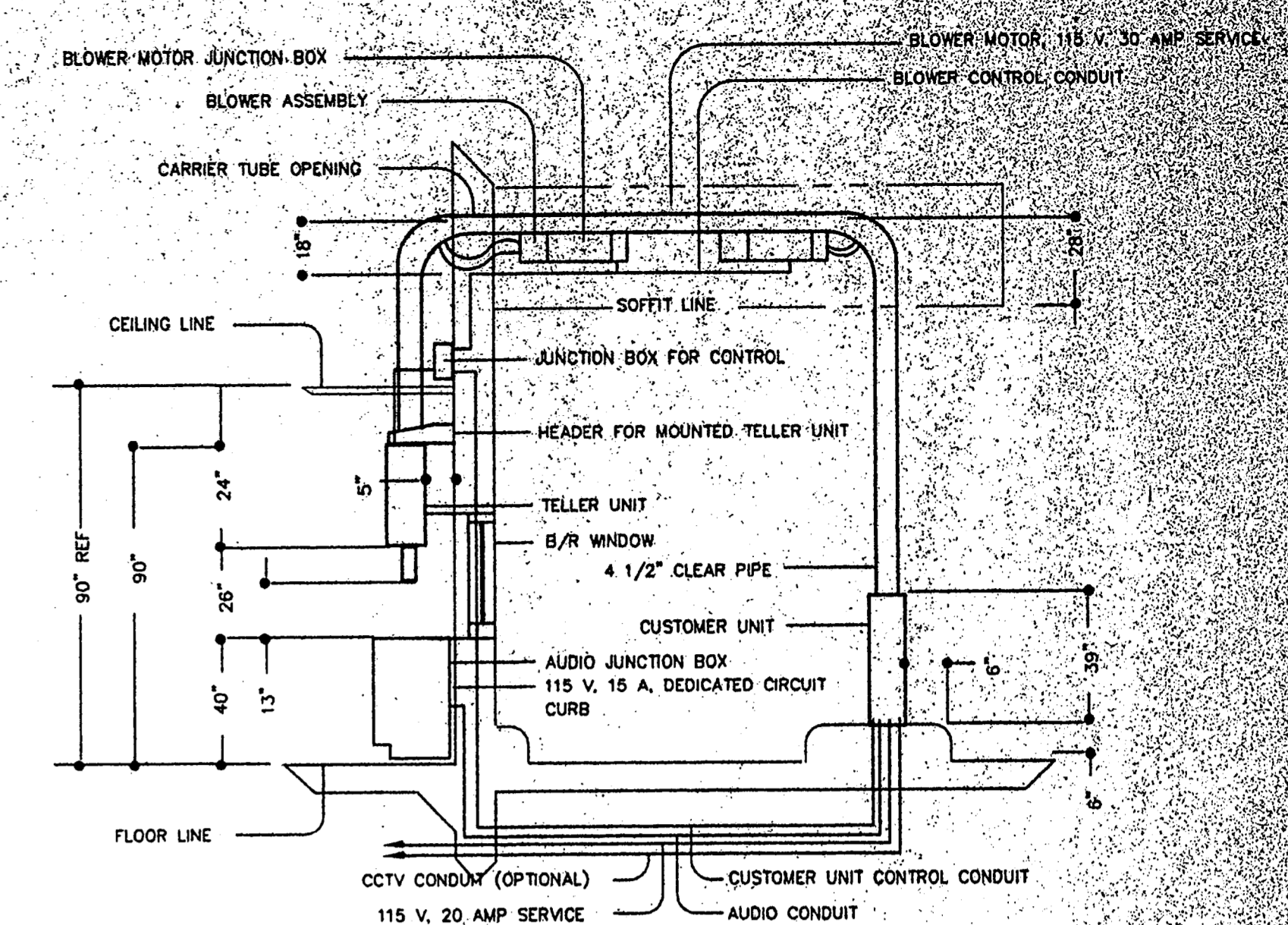
PANELBOARD LABELING DETAIL NO SCALE



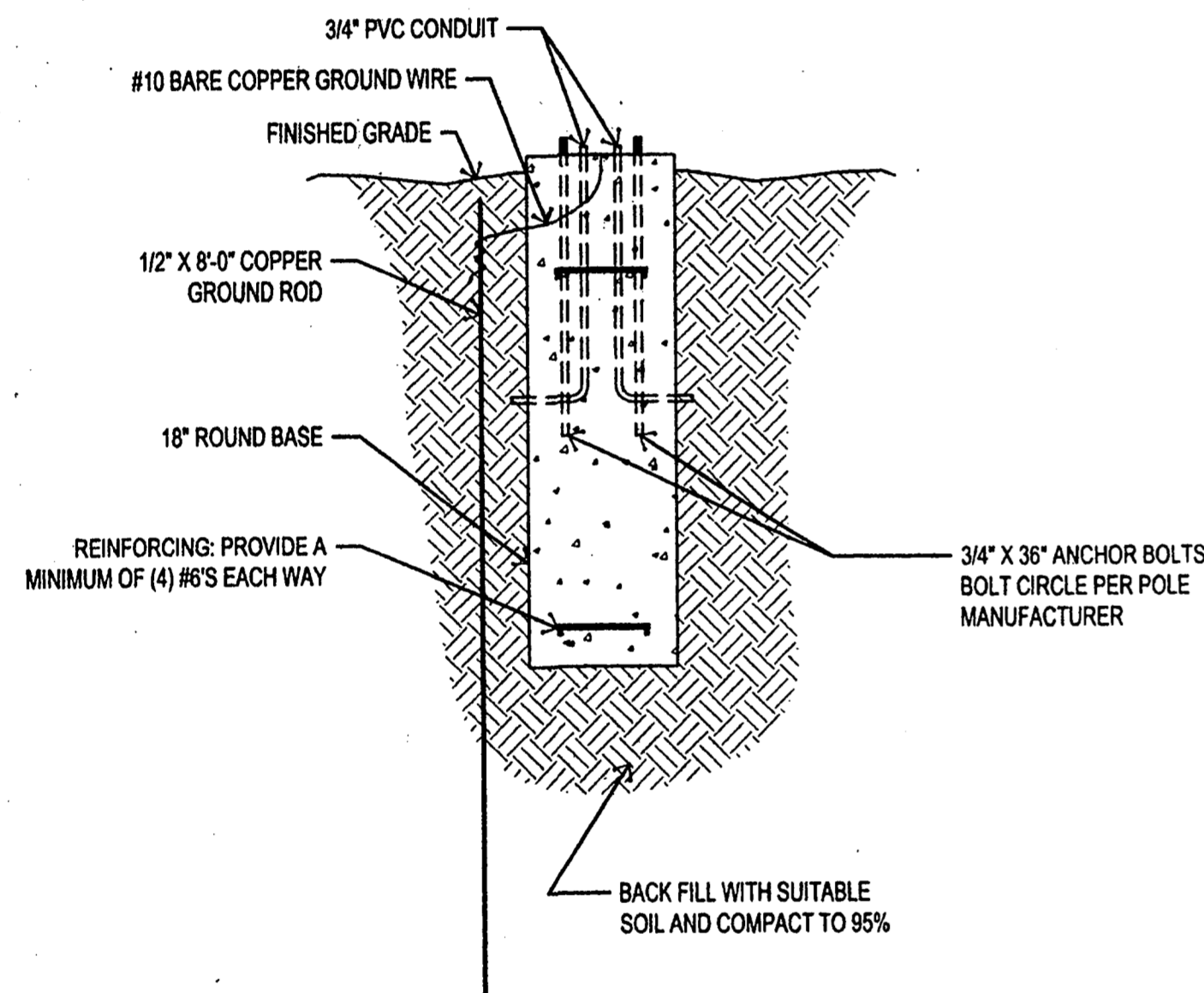
PANELBOARD BONDING DETAIL NO SCALE



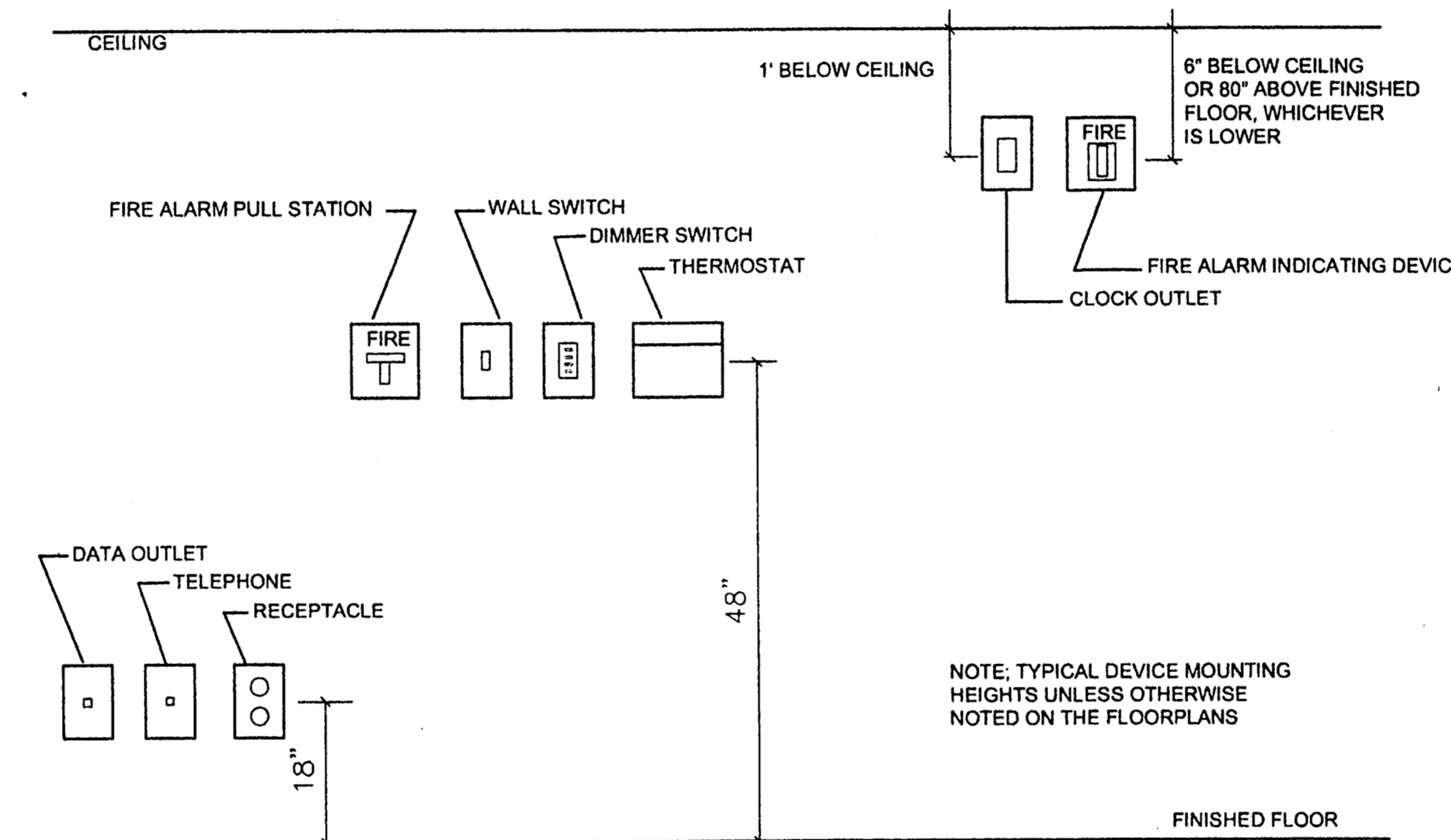
RECESSED TROFFER DETAIL NO SCALE



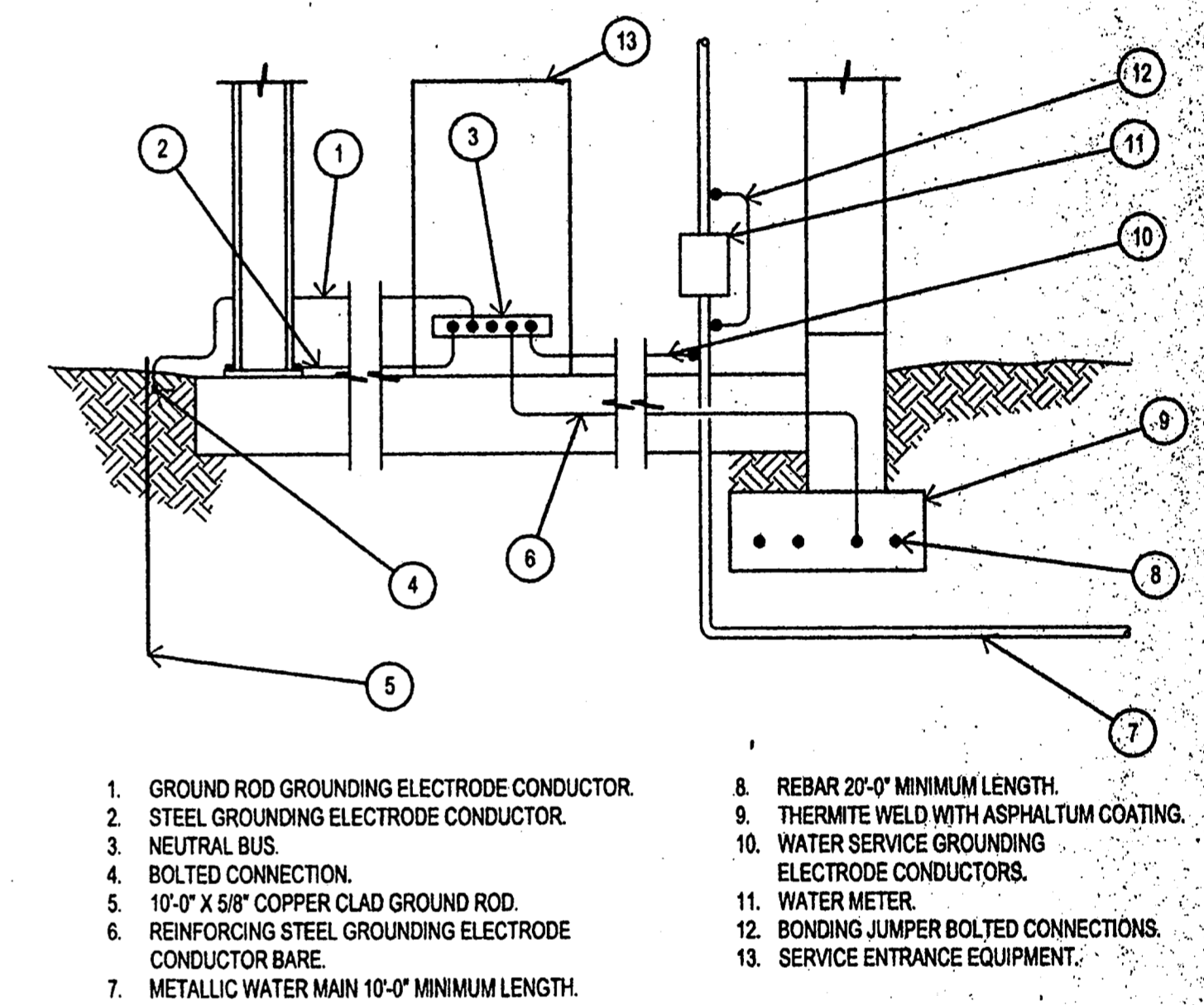
DRIVE-UP UNIT ELECTRICAL DETAIL NO SCALE



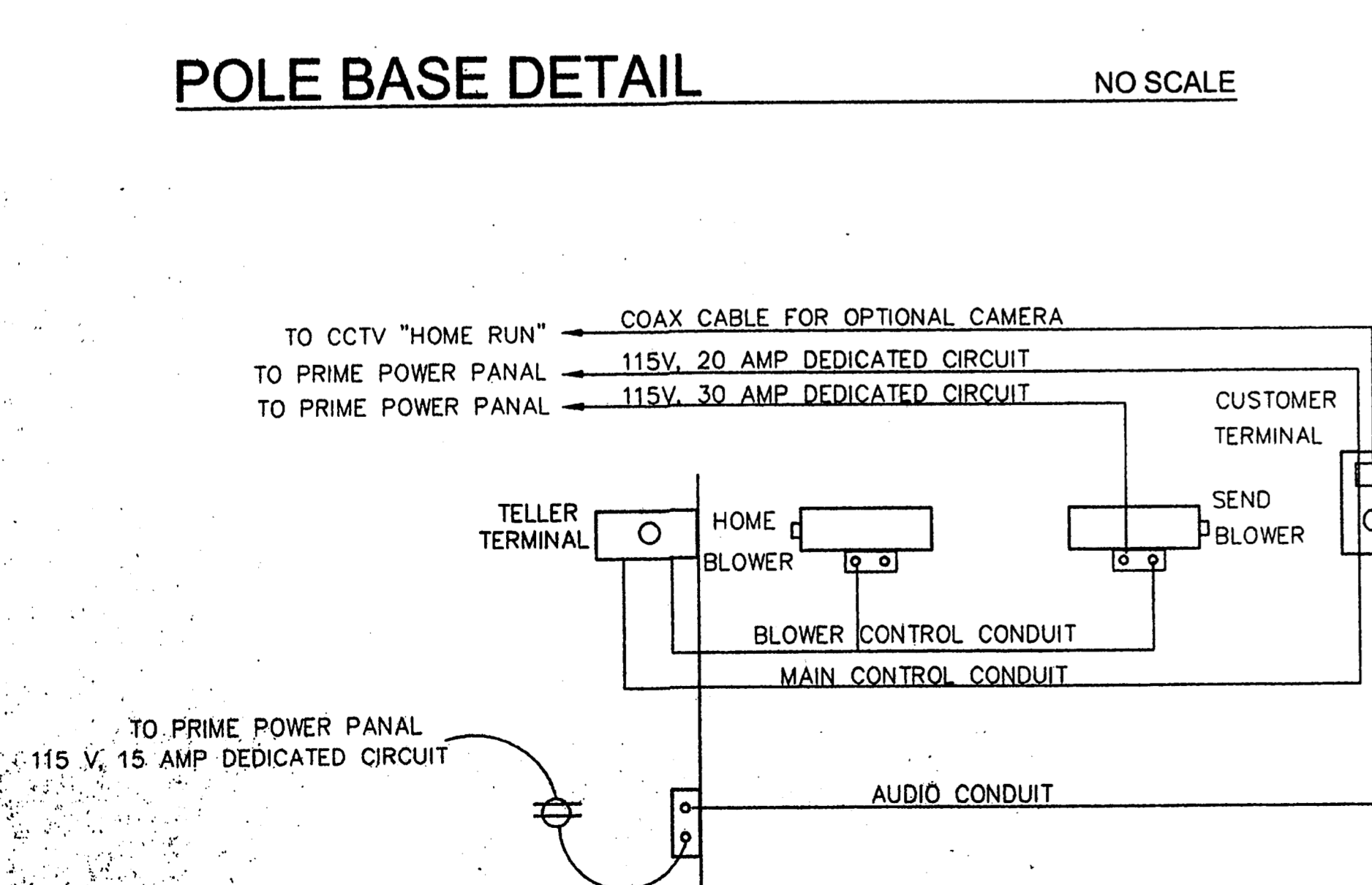
POLE BASE DETAIL NO SCALE



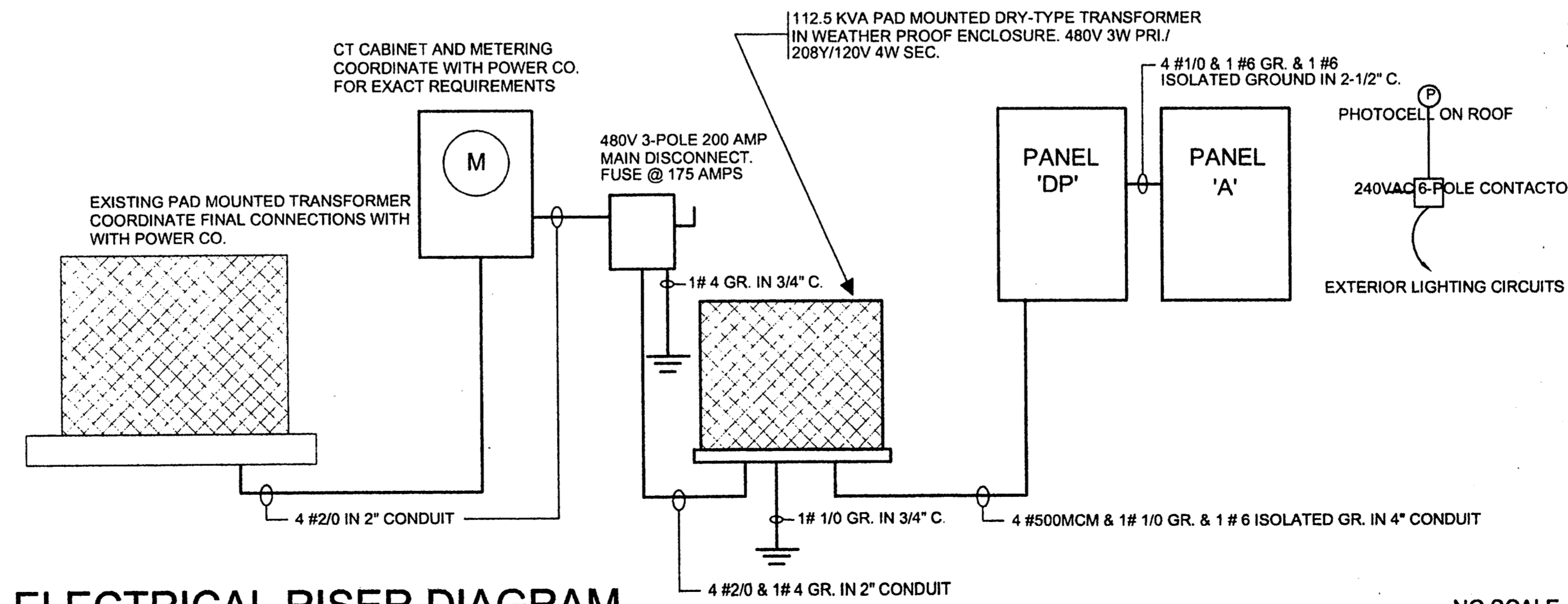
DEVICE MOUNTING HEIGHT DETAIL NO SCALE



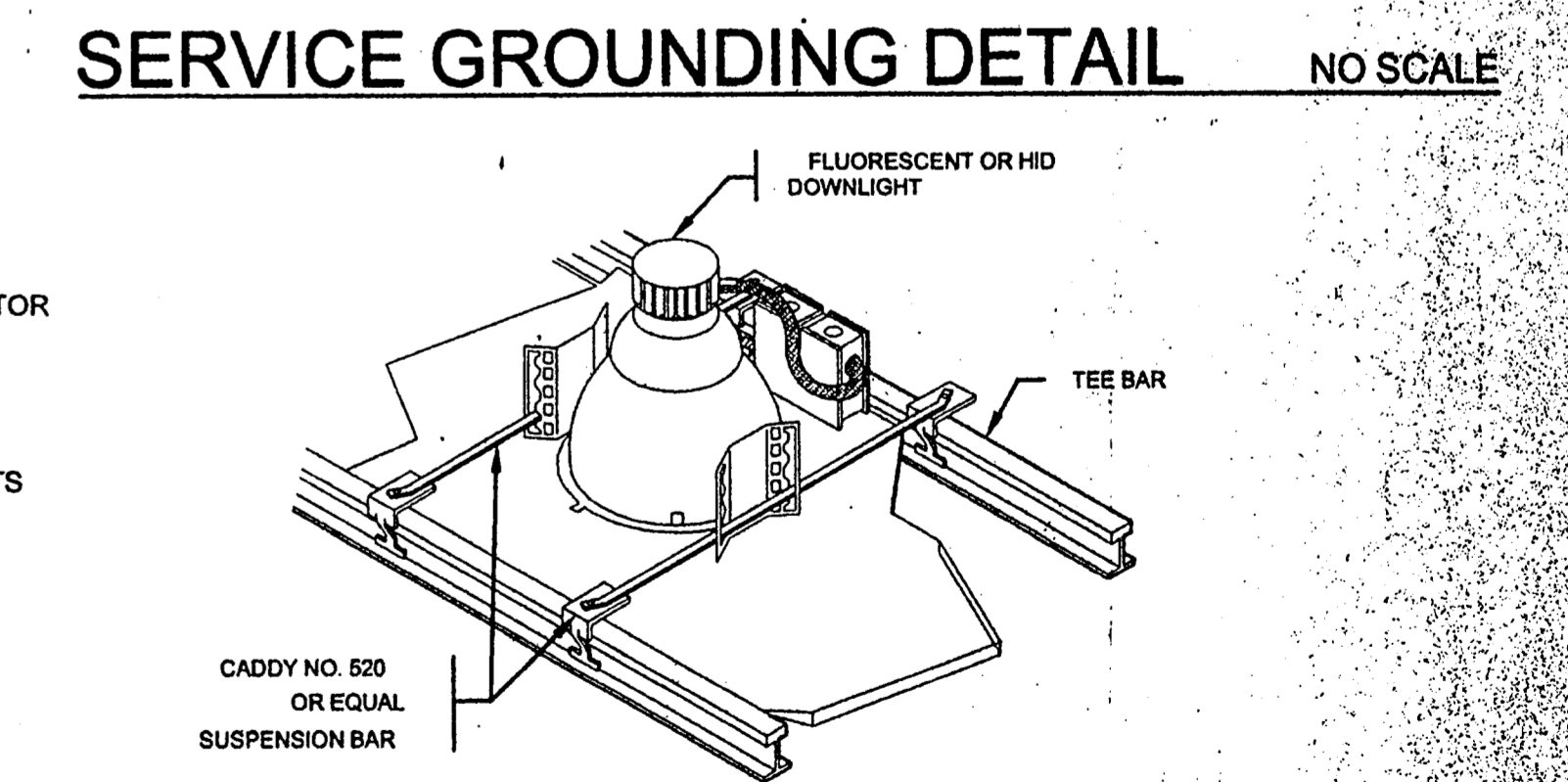
SERVICE GROUNDING DETAIL NO SCALE



DRIVE-UP UNIT BLOCK DIAGRAM NO SCALE

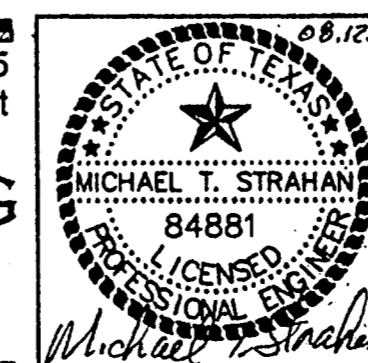


ELECTRICAL RISER DIAGRAM NO SCALE



RECESSED CAN LIGHT DETAIL NO SCALE

VOICE: 806.780.7475
 FAX: 806.780.0129
 CELL: 806.777.7775
 EMAIL: mtspe@door.net
STRAHAN ENGINEERING
 4601 50TH STREET SUITE 212
 LUBBOCK, TEXAS 79414



R-F
 ROGERS - FORD
 ARCHITECTURE - INTERIOR DESIGN
 2616 THOMAS AVENUE
 DALLAS, TEXAS 75204
 TELEPHONE (214) 871-9388
 FAX (214) 871-3155

LONE STAR BANK
 Bellwood Parkway East
 at Bellme Road
 Addison, TX
 Project # 1804

8-17-2000 ISSUED FOR BIDS

E4.01