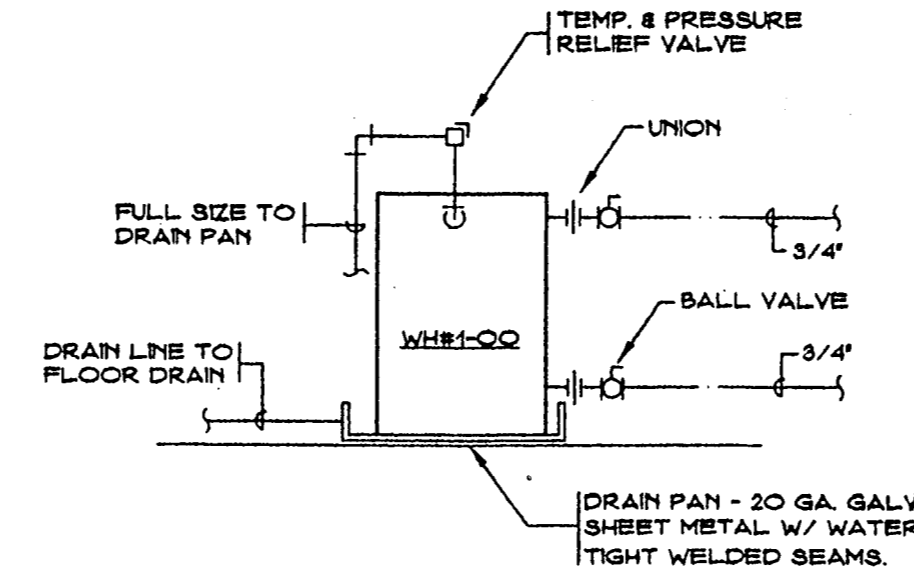


PLUMBING FIXTURE CONNECTION SCHEDULE

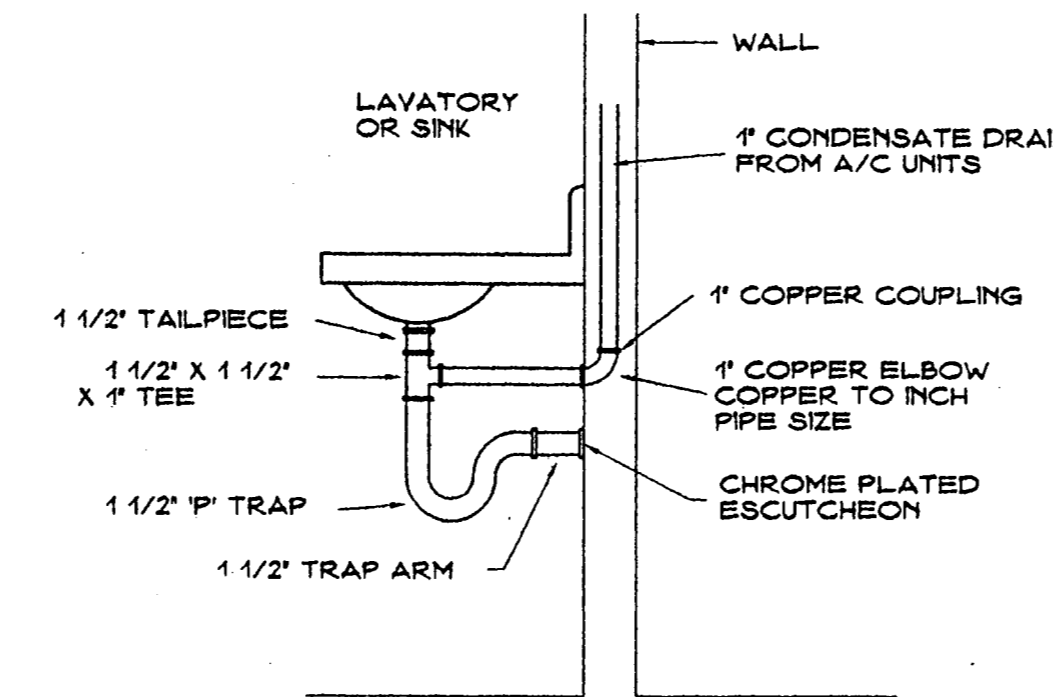
MARK	FIXTURE	CONNECTIONS			
		CW	HW	WASTE	VENT
P-1	WATER CLOSET, FLUSH VALVE	1-1/2"	---	4"	2"
P-2	LAVATORY	1/2"	1/2"	2"	2"
P-3, P-4	SINK	1/2"	1/2"	2"	2"
P-5	REFRIGERATOR BOX	1/2"	---	---	---
P-6	WALL HYDRANT	3/4"	---	---	---
FD	FLOOR DRAIN	---	---	3"	2"

PLUMBING FIXTURE SCHEDULE

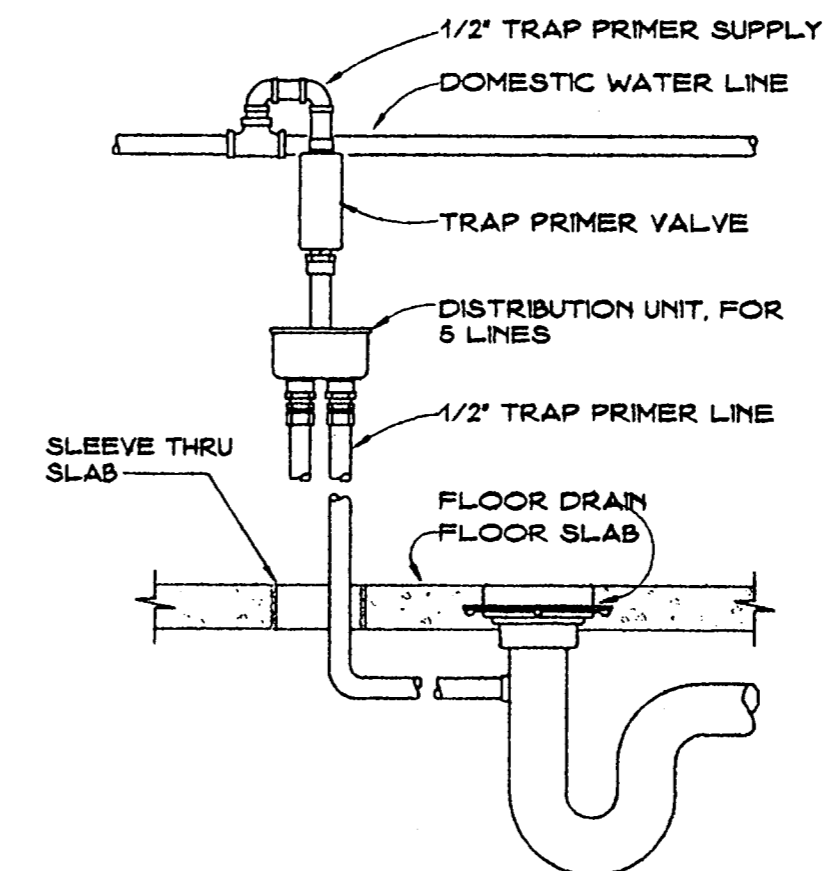
MARK	FIXTURE	MFR	CAT. NO.	REMARKS
P-1	WATER CLOSET (ADA) SEAT	ELJER	311-4815	FLOOR MOUNTED 1.6 GPF ELONGATED BOWL SPHON. LET TOP OF SEAT 17" AFF. ADA COMPLIANT.
	FLUSH VALVE	BEMIS	19555SC	
		SLOAN	ROYAL 111	
P-2	LAVATORY (ADA) FAUCET	ELJER	091-2984	20 1/2" X 27 1/2" WALL HUNG VITREOUS CHINA WHEELCHAIR LAVATORY WITH WIDESPREAD FAUCET 4" CENTERSET WITH WRIST BLADE HANDLES. TOP OF LAVATORY 34" AFF.
	STOPS & RISERS	ELJER	802-0320	
	TAILPIECE	ELJER	803-0330	
	P-TRAP	ELJER	804-1180	
	INSULATION	TRUESBO	#103	
P-3	SINK (DOUBLE COMPARTMENT) FAUCET	ELKAY	LRAD-3322	33" X 21" X 6 1/2" DEEP, 18 GAUGE TYPE 302 STAINLESS STEEL WITH 4 HOLES. DECK MOUNTED FAUCET WITH HIGH ARC SWING SPOUT AND WRIST BLADE HANDLES.
	TAILPIECE	ELJER	803-0380	
	P-TRAP	ELJER	804-1180	
P-4	SINK (BAR) FAUCET	ELKAY	CDKAD-2517	15 1/2" X 14" X 6 1/2" DEEP, 20 GAUGE TYPE 302 STAINLESS STEEL WITH 1 HOLES. DECK MOUNTED FAUCET WITH HIGH ARC SPOUT AND SINGLE WING HANDLE.
	STOPS & RISERS	ELJER	802-0320	
	TAILPIECE	ELJER	803-0380	
	P-TRAP	ELJER	804-1180	
P-5	REFRIGERATOR BOX	GUY GRAY	BIM875	RECESSED STEEL BOX WITH 1/4" FIP INLET AND 1/4" OD OUTLET, COMPRESSION ANGLE VALVE.
P-6	WALL HYDRANT	WOODFORD	B85	ANTI-SIPHON, AUTOMATIC DRAINING, FREEZELESS WALL HYDRANT, PROVIDE 2 KEYS.
FD	FLOOR DRAIN	WADE	W-1103	W/ NICKLE BRONZE TOP AND TRAP PRIMER
WCO	WALL CLEANOUT	WADE	W-8460-R	CLEANOUT TEE W/ BRASS PLUG AND S.S. ACCESS COVER
CO	FLOOR CLEANOUT	WADE	W-8000	W/ NICKEL BRONZE TOP AND "TY-SEAL" CONNECTION



UNDERCOUNTER WATER HEATER PIPING DETAIL
NO SCALE



SINK TAILPIECE DRAIN DETAIL
NO SCALE

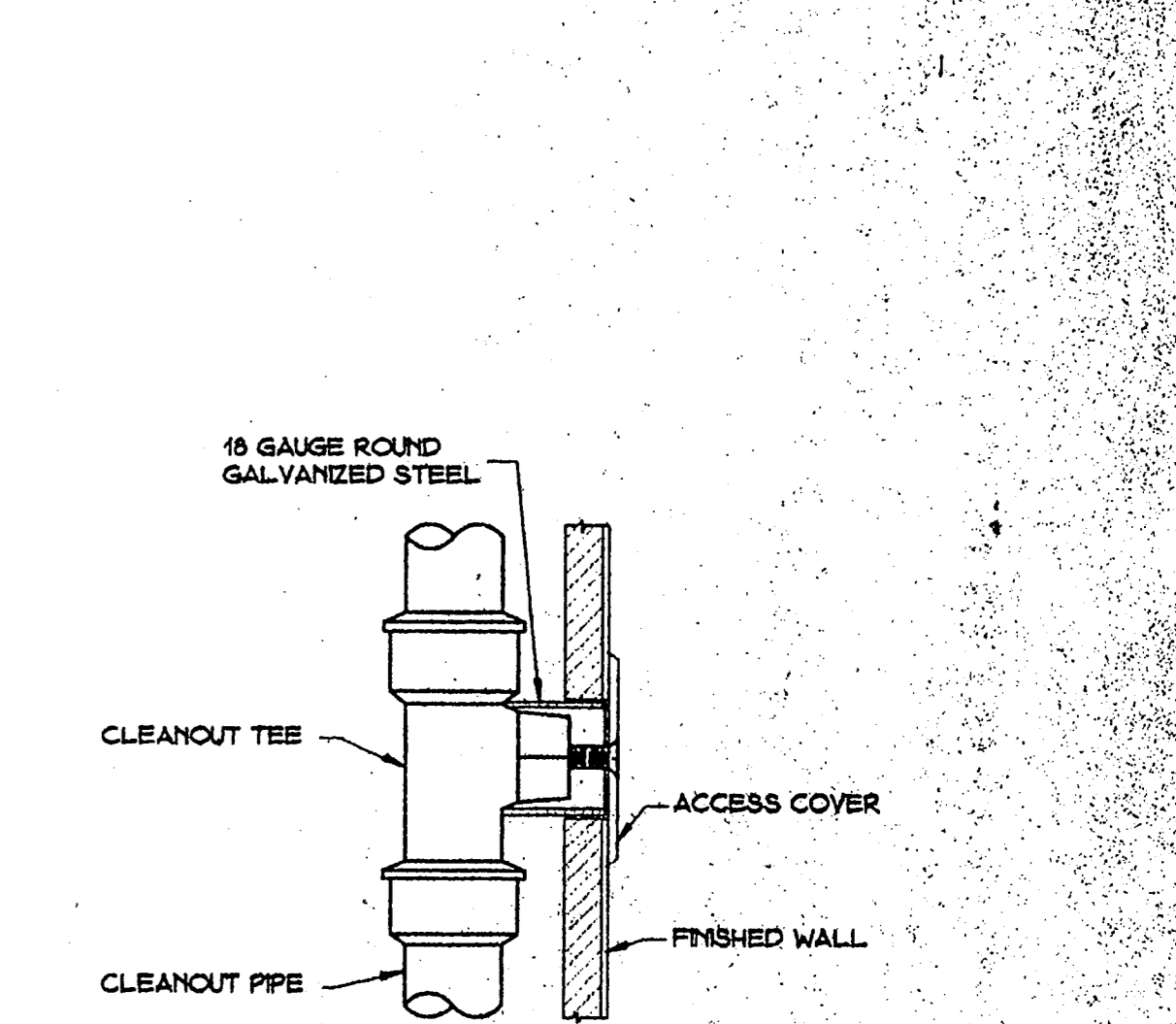


TRAP SEAL PRIMER DETAIL
NO SCALE

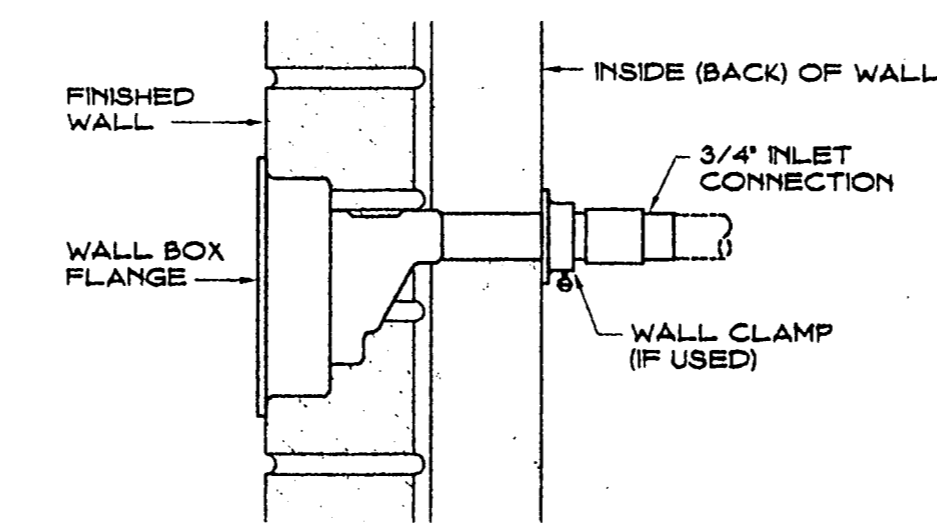
WATER HEATER SCHEDULE

MARK	TANK CAP.	FUEL	INPUT	ELEC. DATA	RECOVERY GPH	EXAMPLE
WH #1-00	20 GAL.	ELEC.	2000 W	208V S/P	8 GPH	RHEM

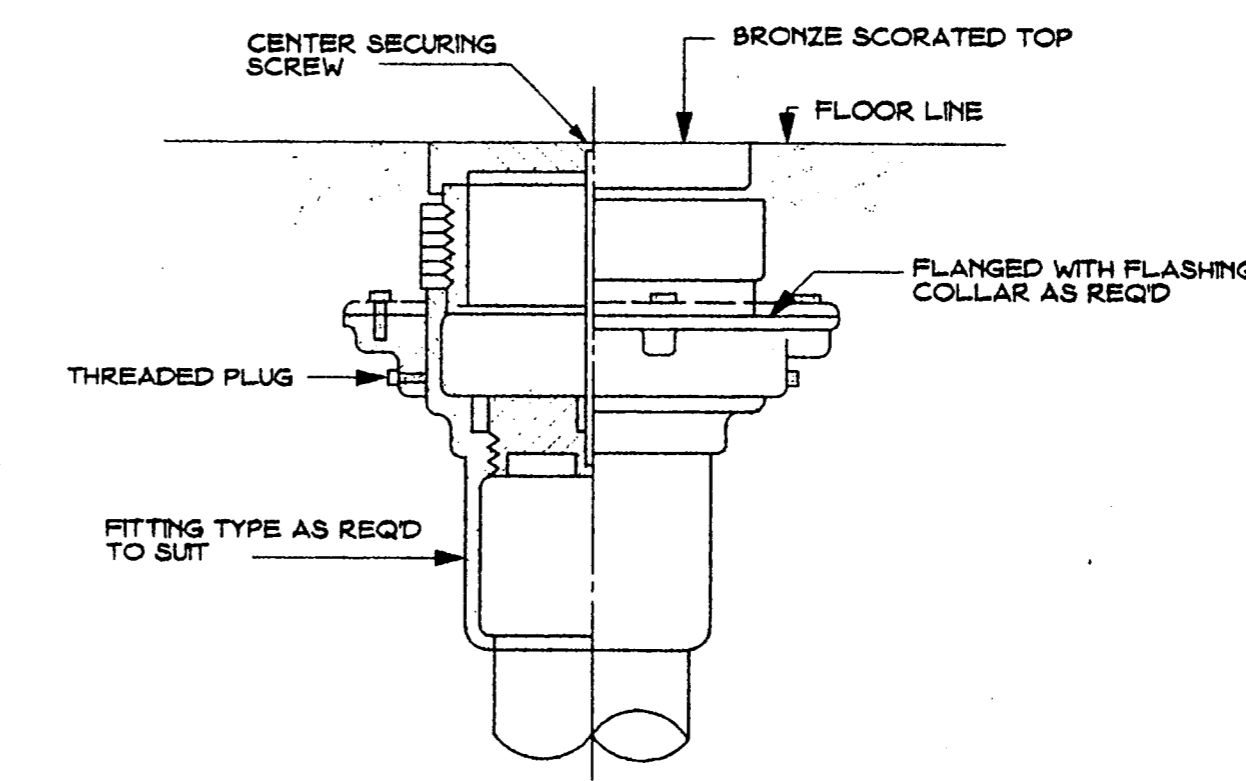
NOTE: RECOVERY BASED ON 90 DEGREE TEMPERATURE RISE.



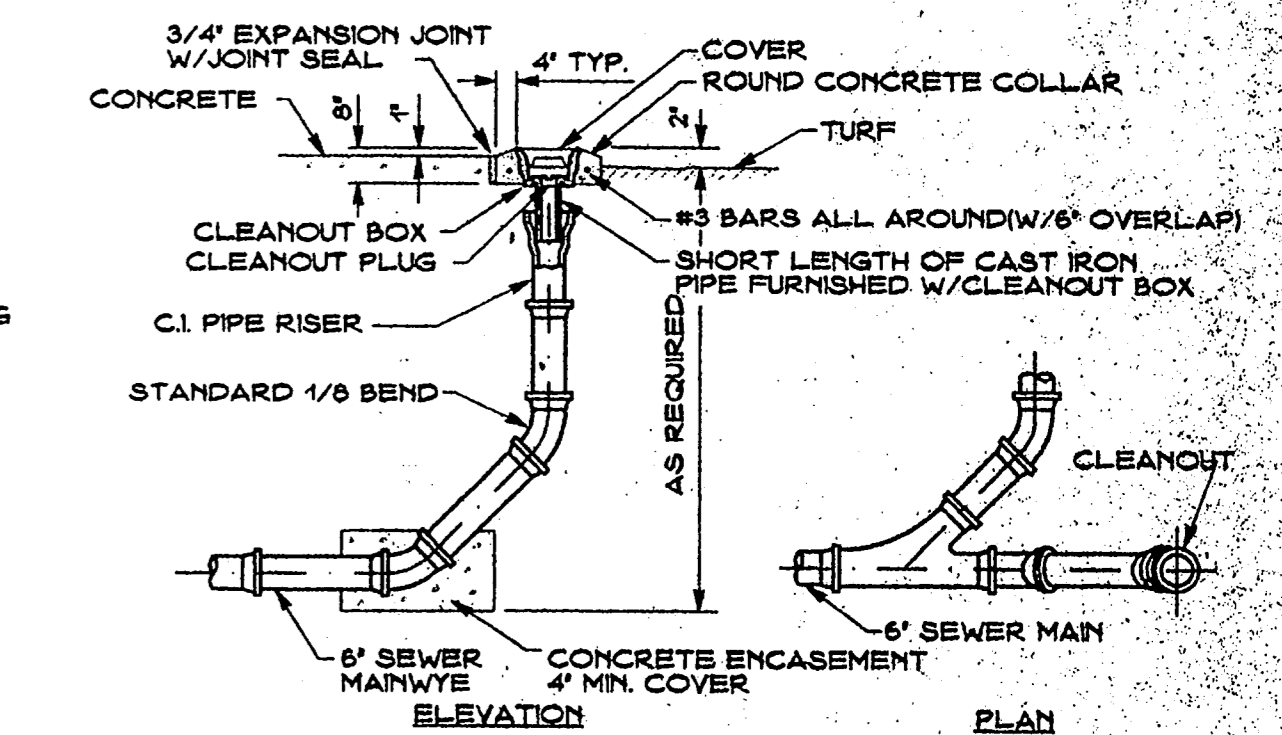
WALL CLEANOUT DETAIL
NO SCALE



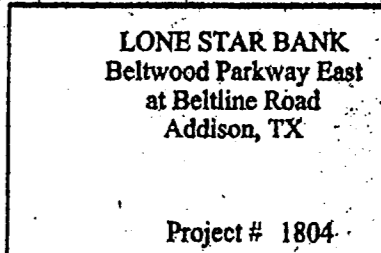
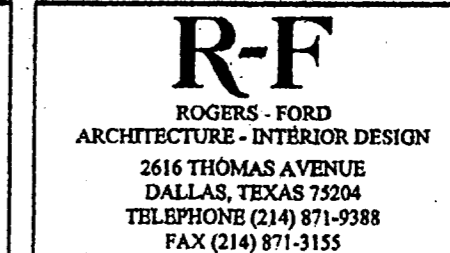
FREEZEPROOF WALL HYDRANT
NO SCALE



FLOOR CLEANOUT
NO SCALE



TYPICAL EXTERIOR CLEANOUT DETAIL
NO SCALE



7-25-2000 Issue for Permit
7-27-2000 Issue for Permit
8-17-2000 Issue for Permit

P1.02