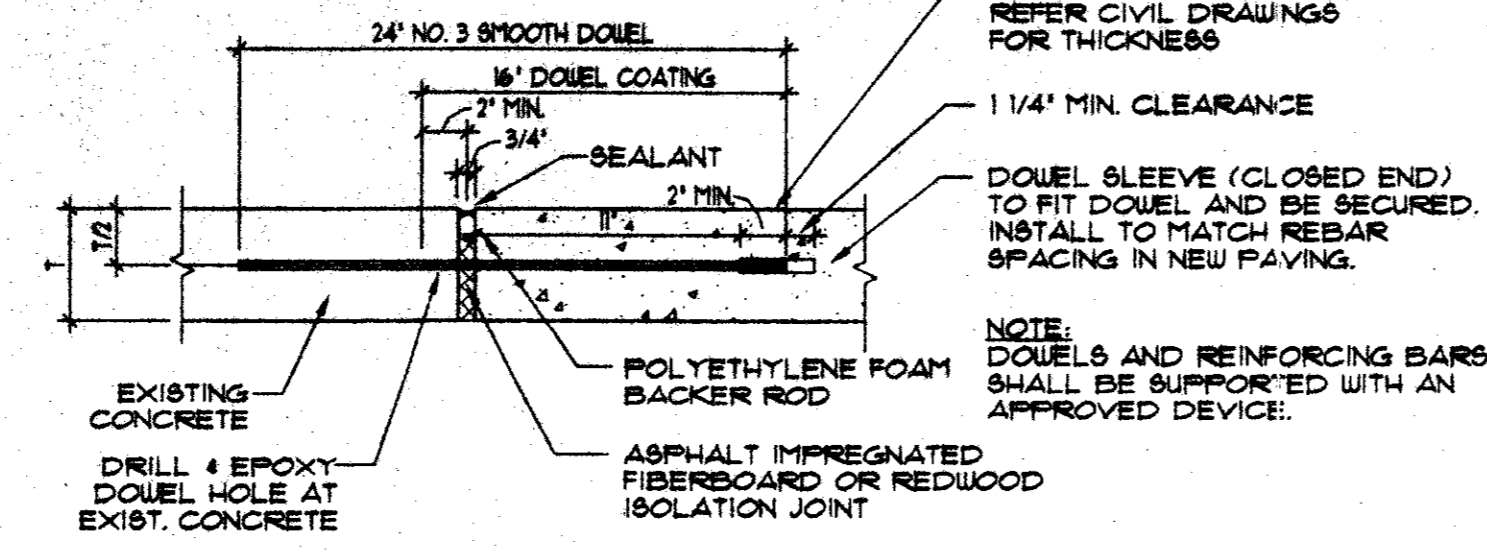
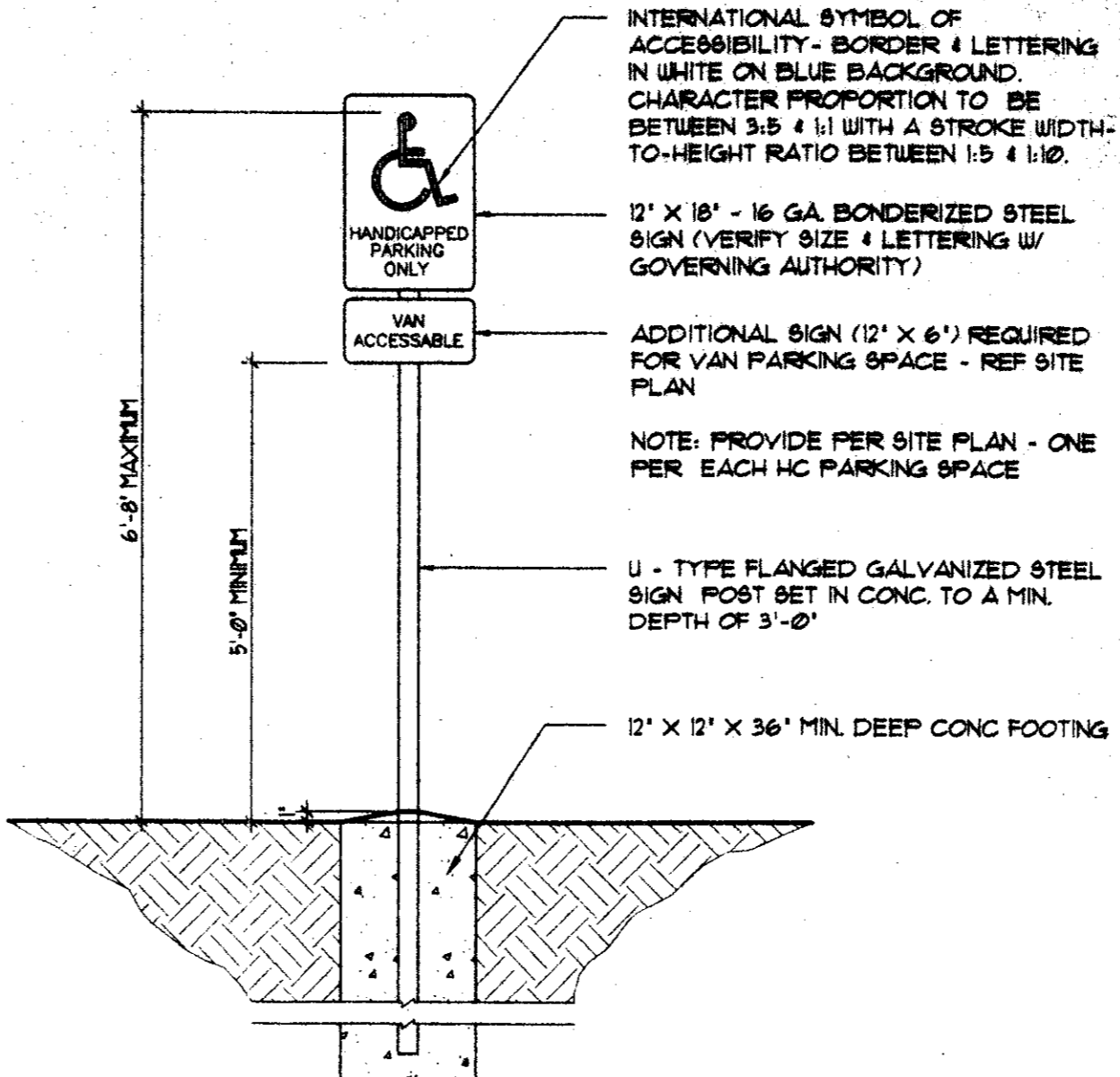


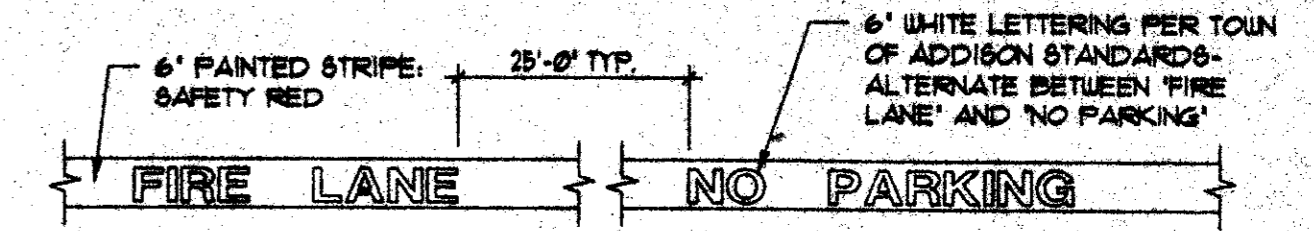
1 TYP. CONCRETE WALK
A1.02 SCALE: 1" = 1'-0"



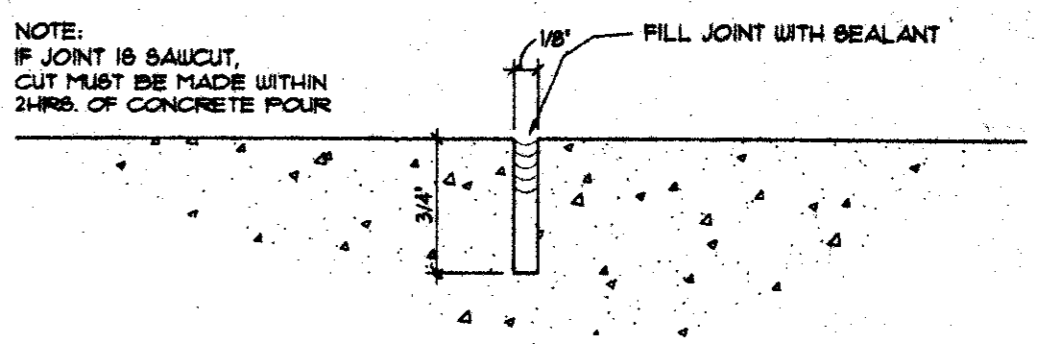
2 CONC. EXPANSION JOINT
A1.02 SCALE: 1-1/2" = 1'-0"



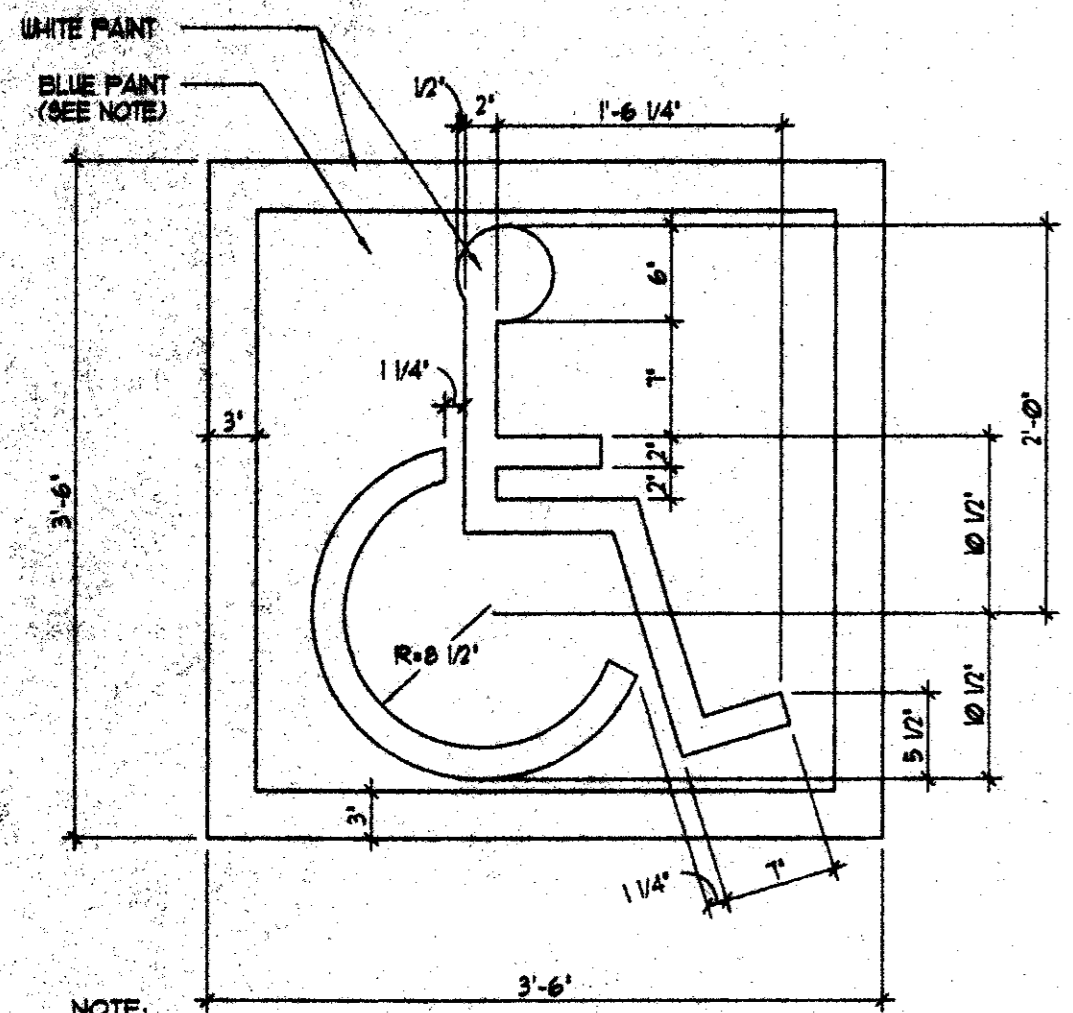
3 H.C. PARKING SIGN
A1.02 SCALE: 3/4" = 1'-0"



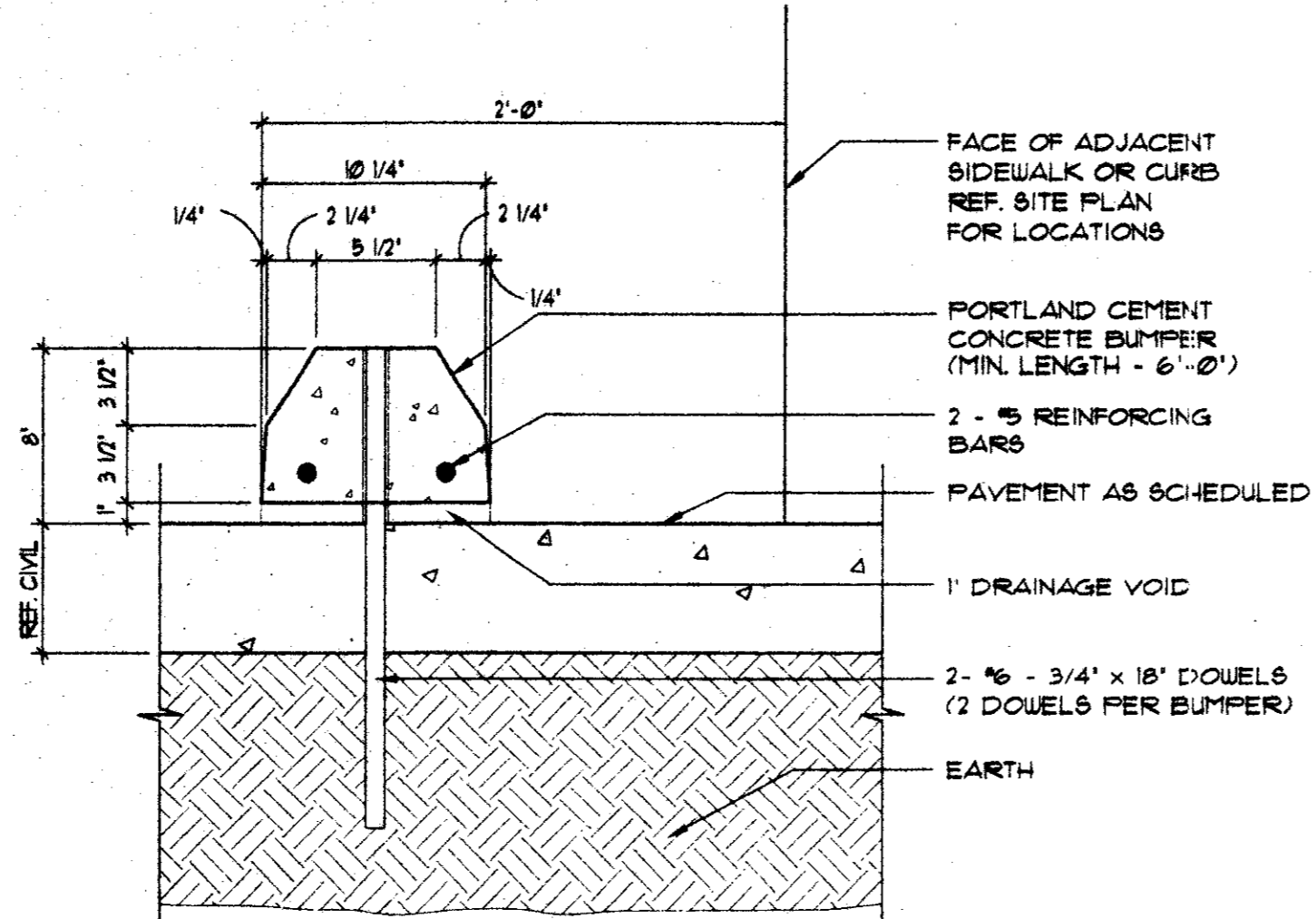
4 FIRE LANE DETAIL
A1.02 SCALE: 1/2" = 1'-0"



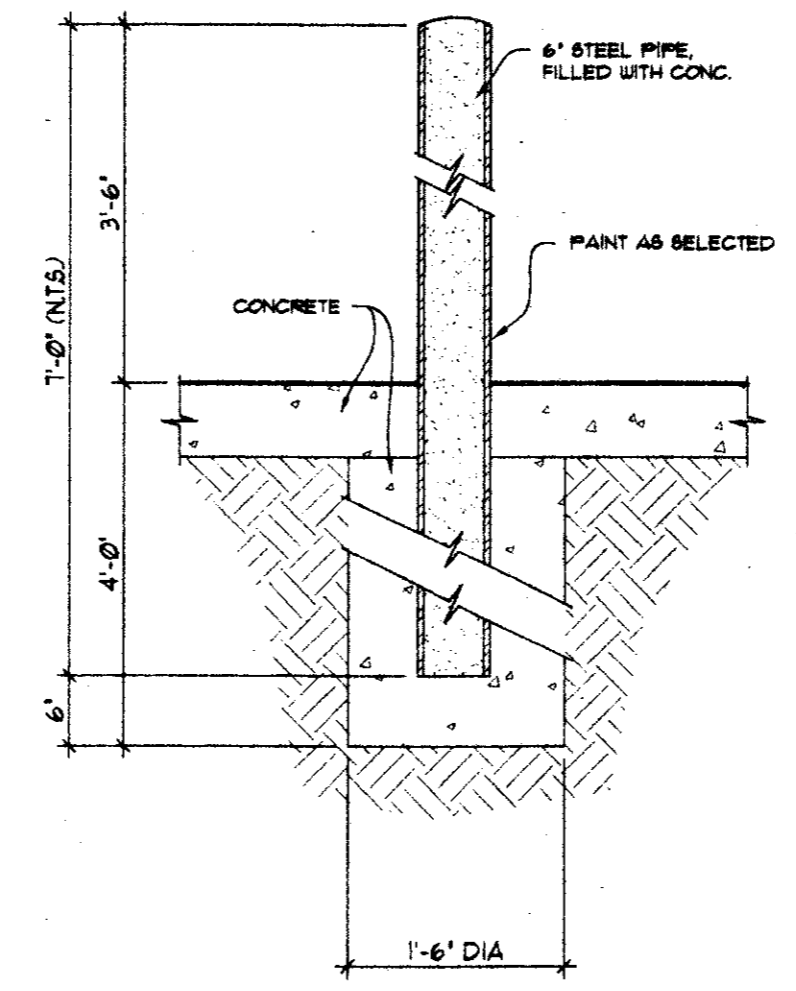
5 CONTROL JOINT DETAIL
A1.02 SCALE: FULL SCALE



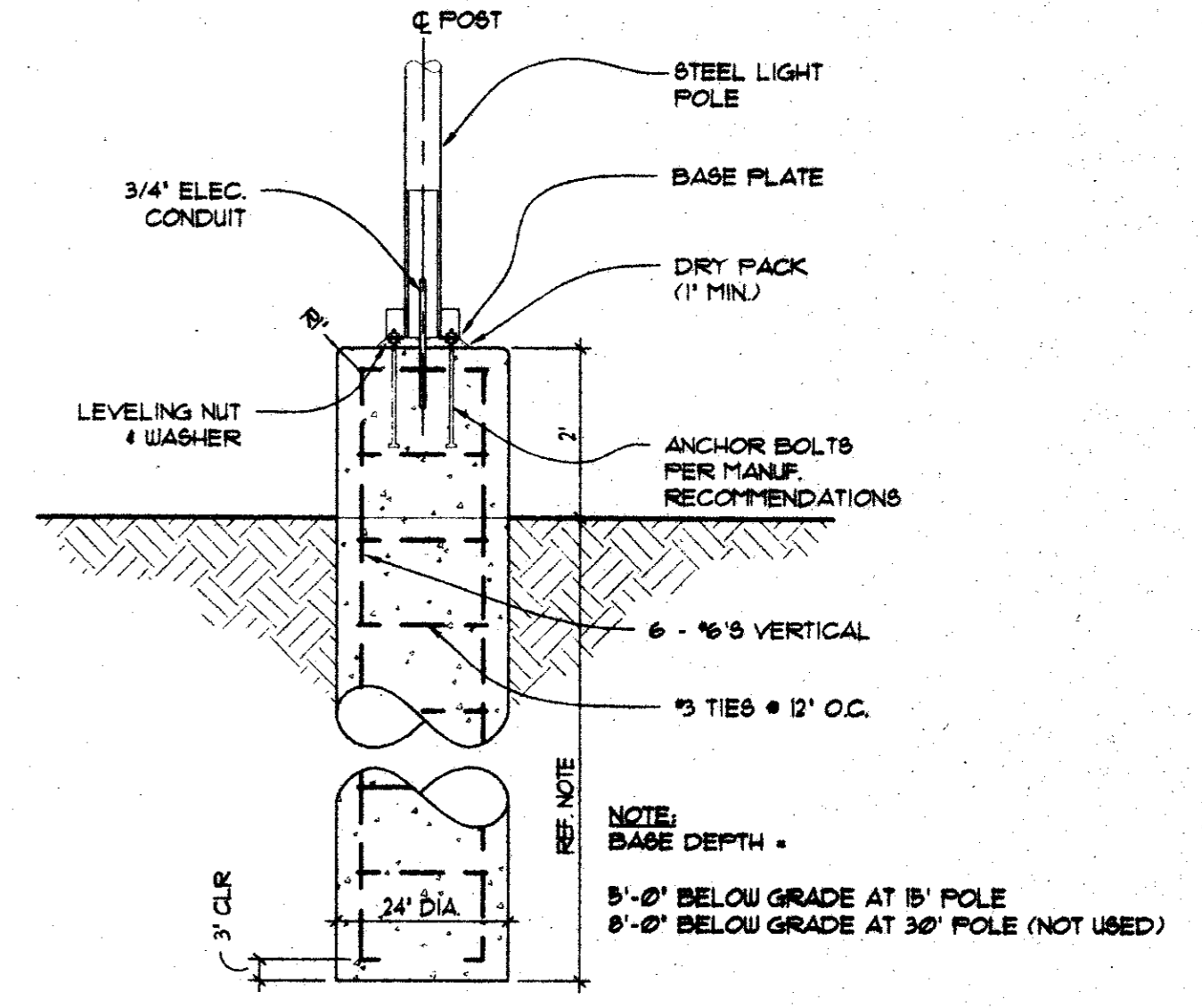
6 PAINTED H.C. SYMBOL
A1.02 SCALE: 1" = 1'-0"



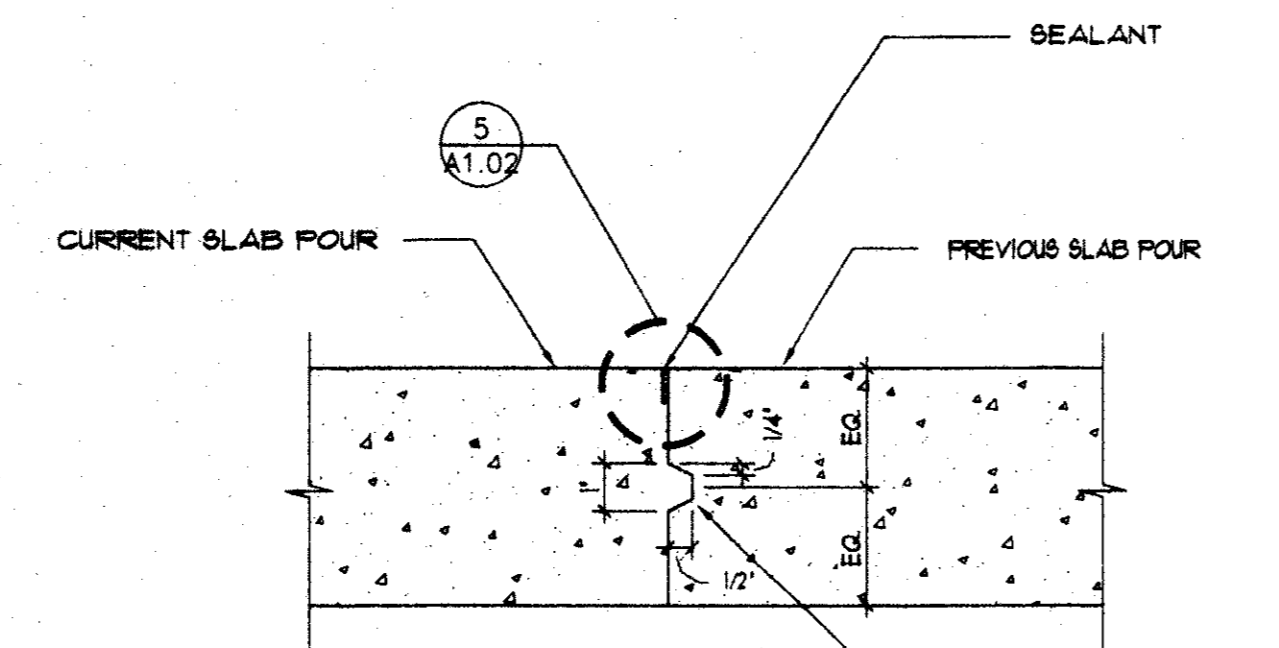
7 CONCRETE WHEEL STOP
A1.02 SCALE: 1-1/2" = 1'-0"



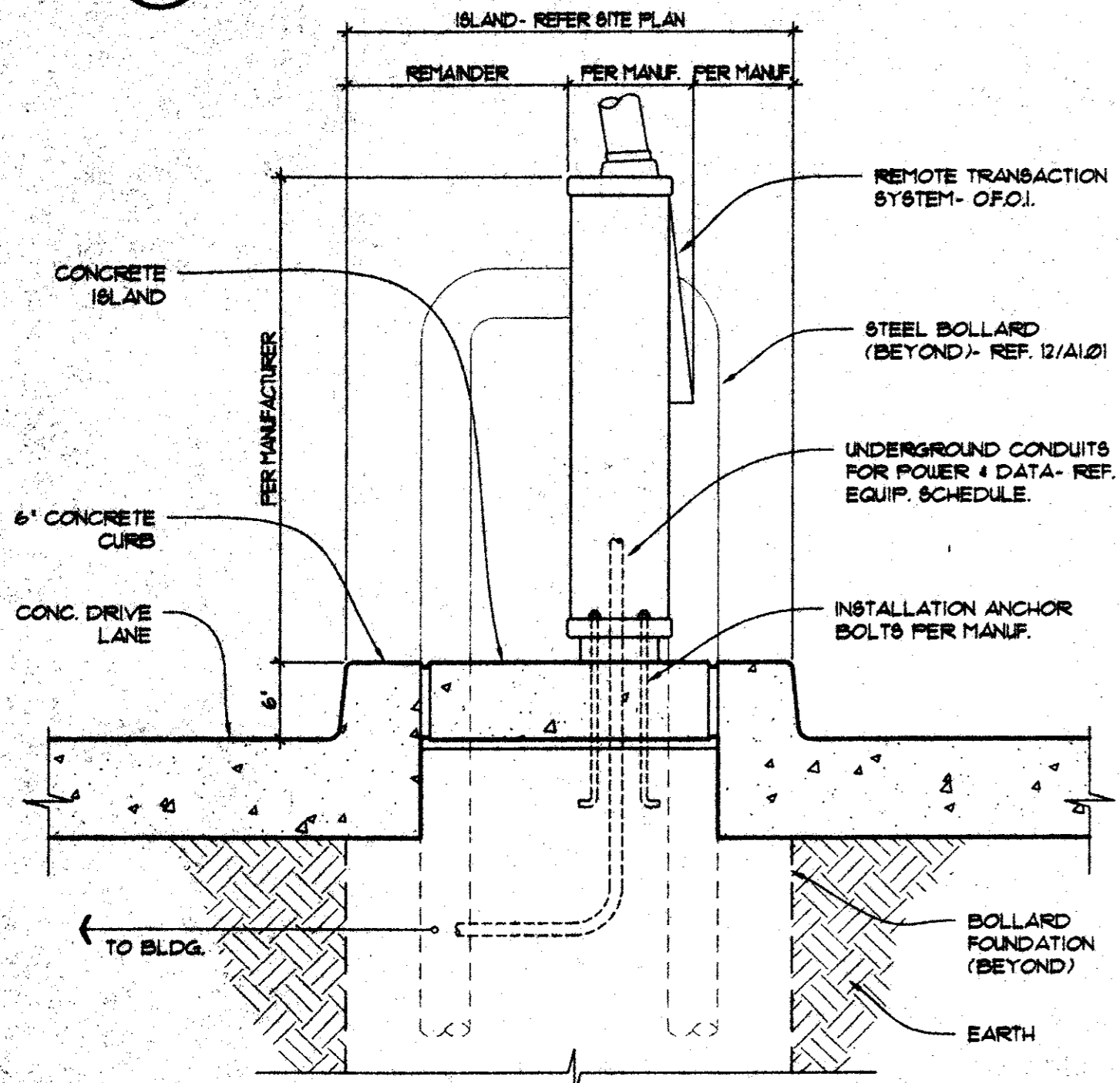
9 TYP. BOLLARD DETAIL
A1.02 SCALE: 3/4" = 1'-0"



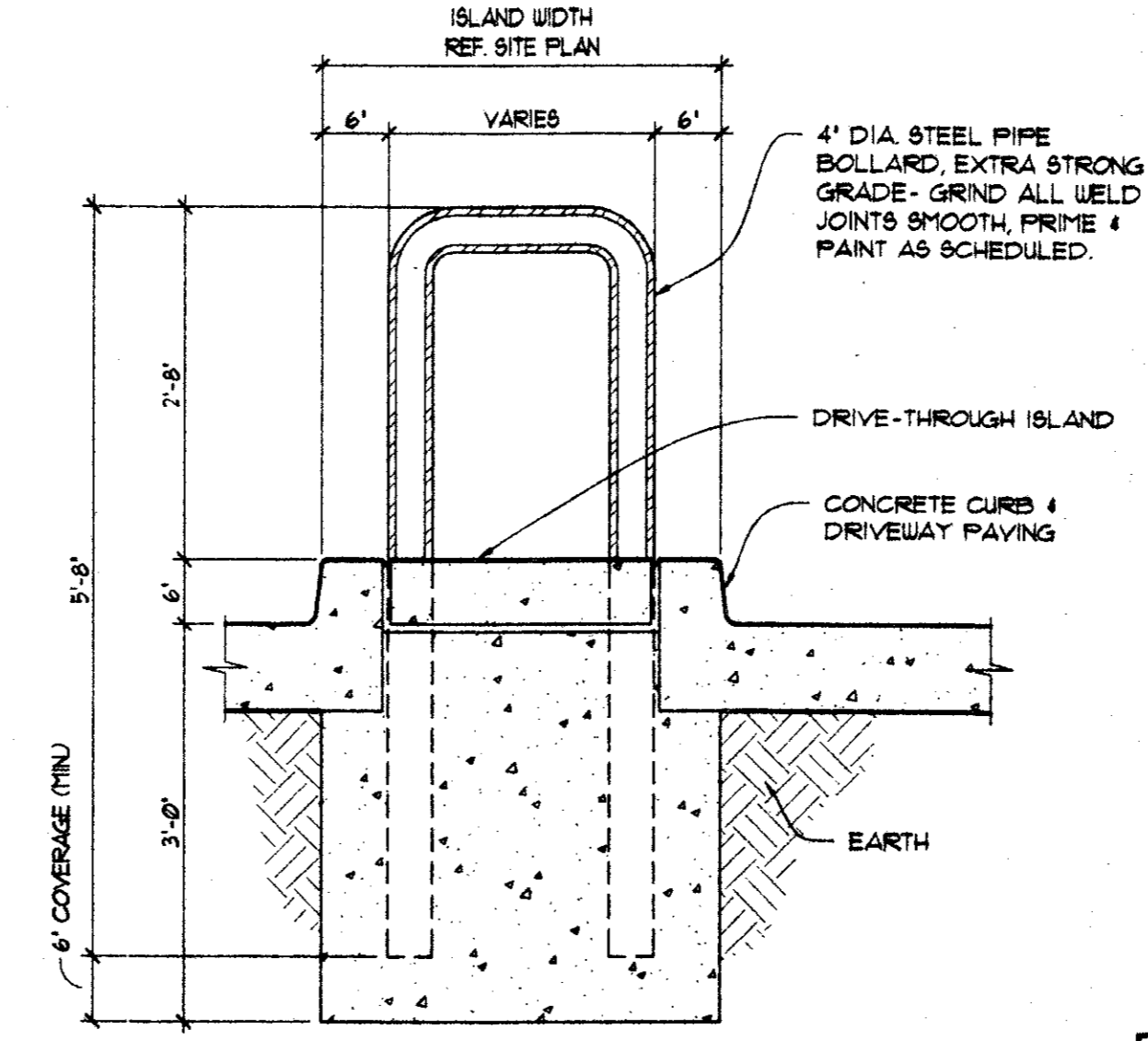
10 LIGHT POLE BASE DETAIL
A1.02 SCALE: 1/2" = 1'-0"



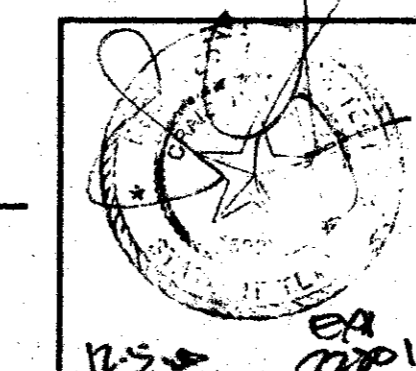
8 CONCRETE CONSTRUCTION JOINT
A1.02 SCALE: 3" = 1'-0"



11 DETAIL - TELLER UNIT @ DRIVE-THRU
A1.02 SCALE: 1" = 1'-0"



12 SECTION - "U" SHAPED BOLLARD
A1.02 SCALE: 3/4" = 1'-0"



R-F
ROGERS - FORD
ARCHITECTURE - INTERIOR DESIGN
2616 THOMAS AVENUE
DALLAS, TEXAS 75204
TELEPHONE (214) 871-9388
FAX (214) 871-5155

LONE STAR BANK
4650 BELTLINE ROAD
at Beltwood Parkway East
ADDISON, TX.
Project # 1804

07-27-00 ISSUE FOR PERMIT
08-17-00 ISSUE FOR BID
12-05-00 CONST. ISSUE

A1.02

Copyright 2000 ROGERS-FORD, L.P. Drawing: R11004153 - Addition Architect-Drawings/contract/1804A102 Any of Dec. 04, 2000-11:54pm by dlm