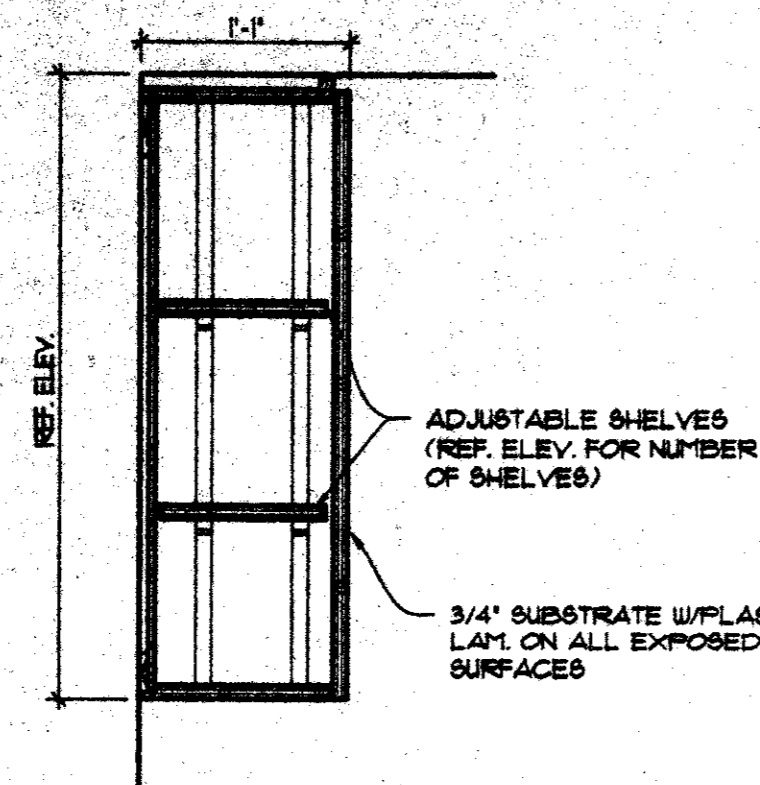
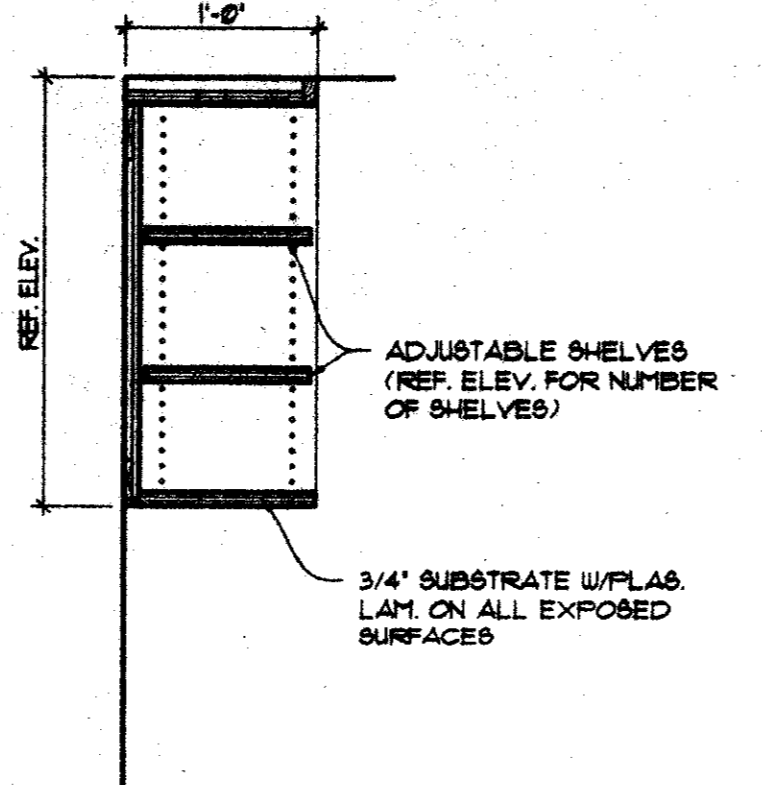


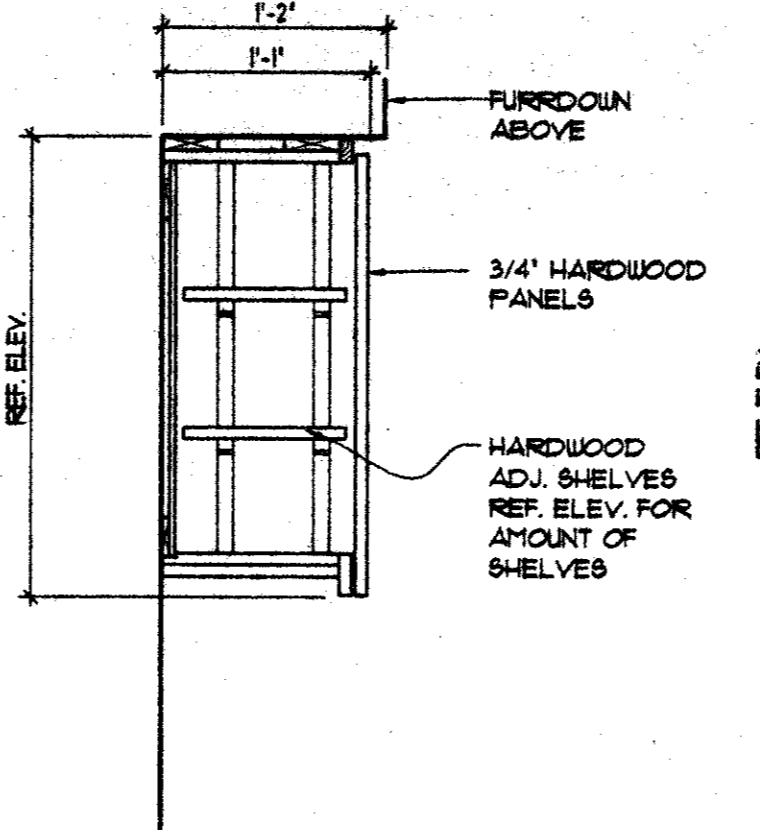
1 SECTION
A5.07 SCALE: 1" = 1'-0"



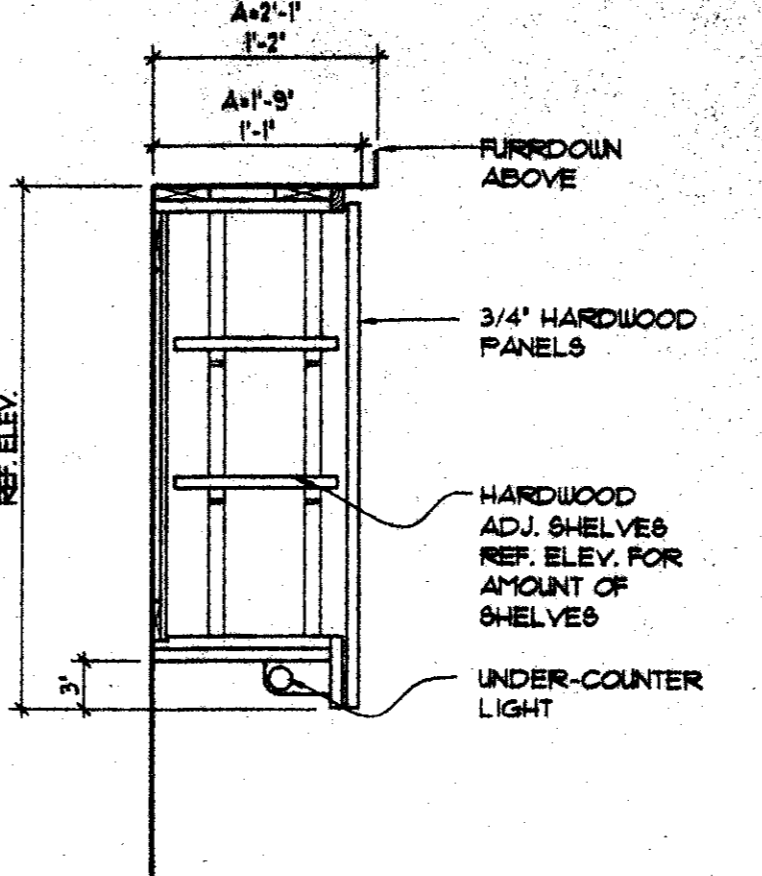
2 SECTION
A5.07 SCALE: 1" = 1'-0"



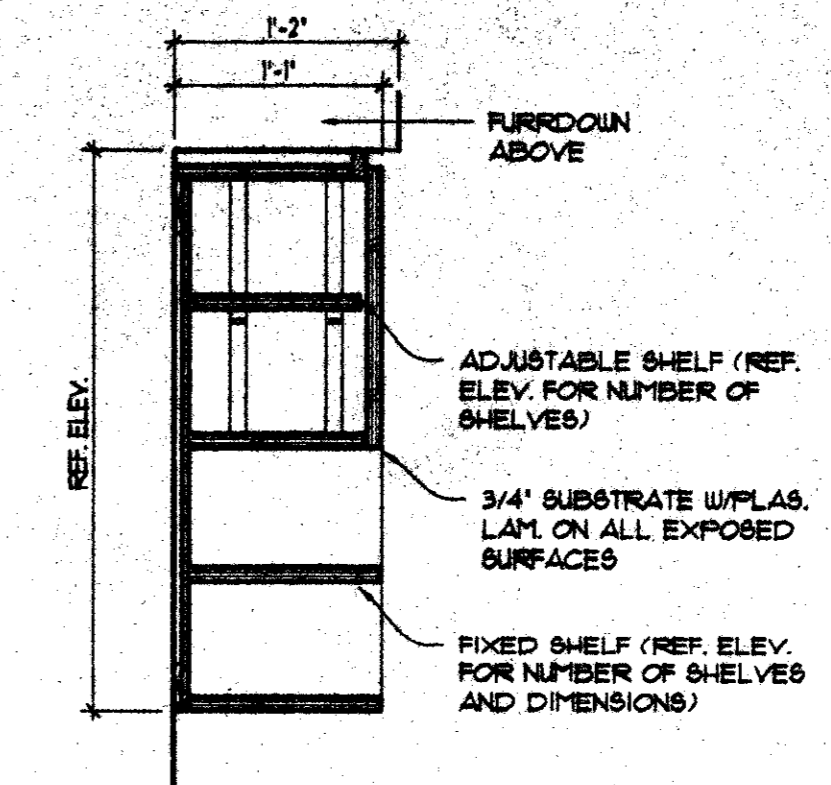
3 SECTION
A5.07 SCALE: 1" = 1'-0"



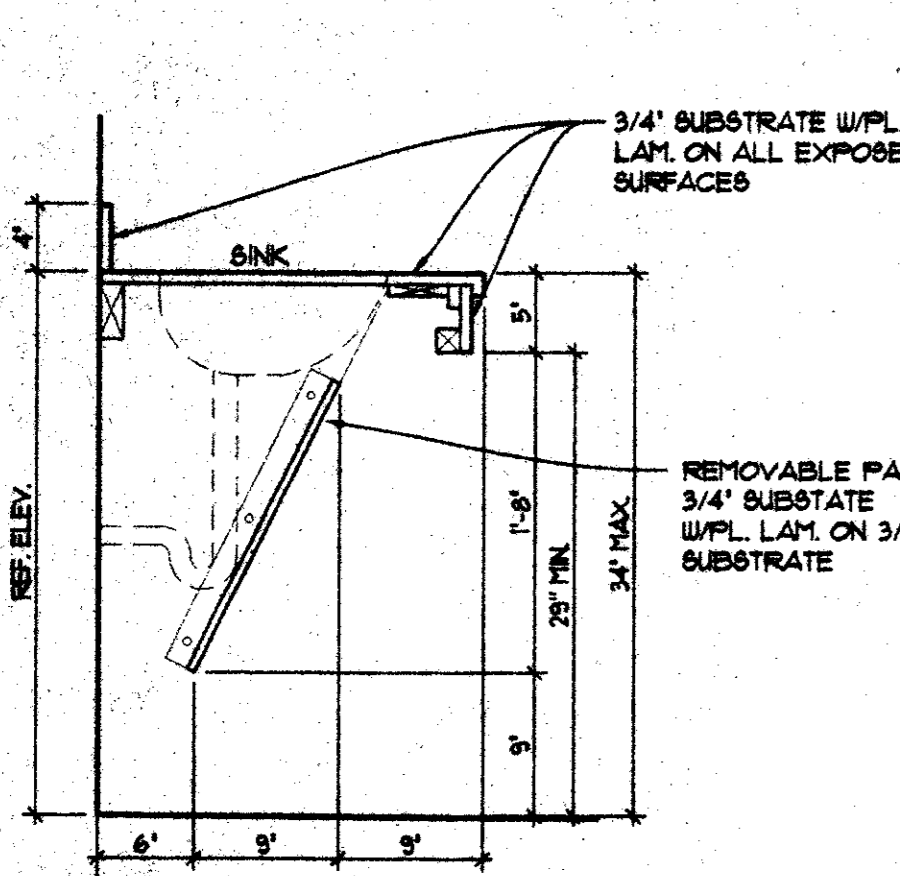
4 SECTION
A5.07 SCALE: 1" = 1'-0"



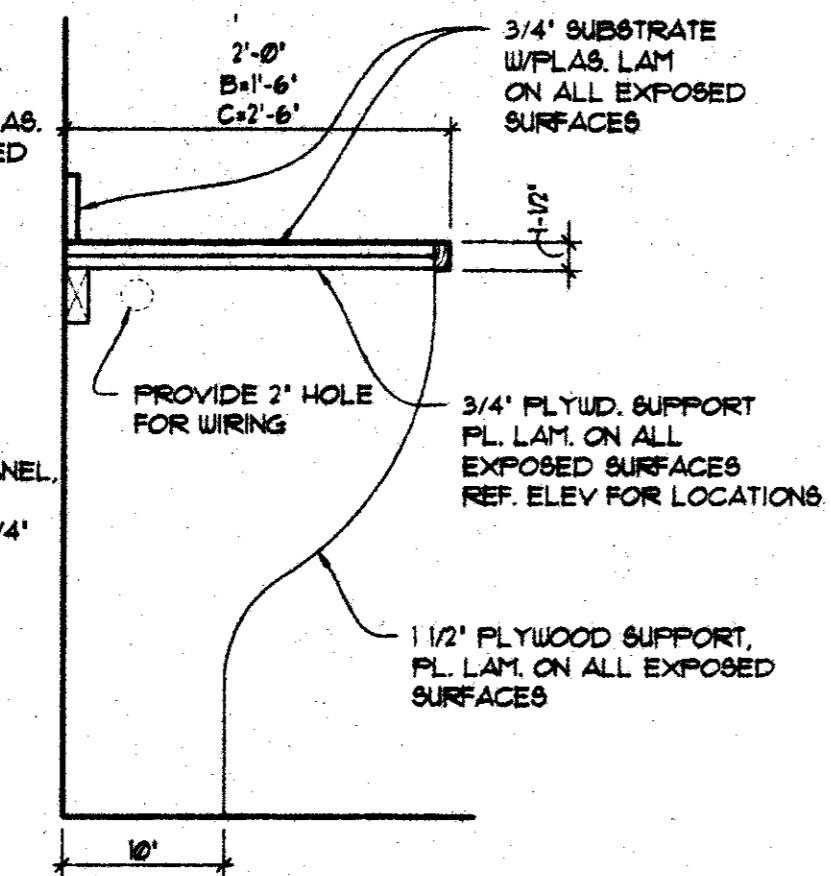
5 SECTION
A5.07 SCALE: 1" = 1'-0"



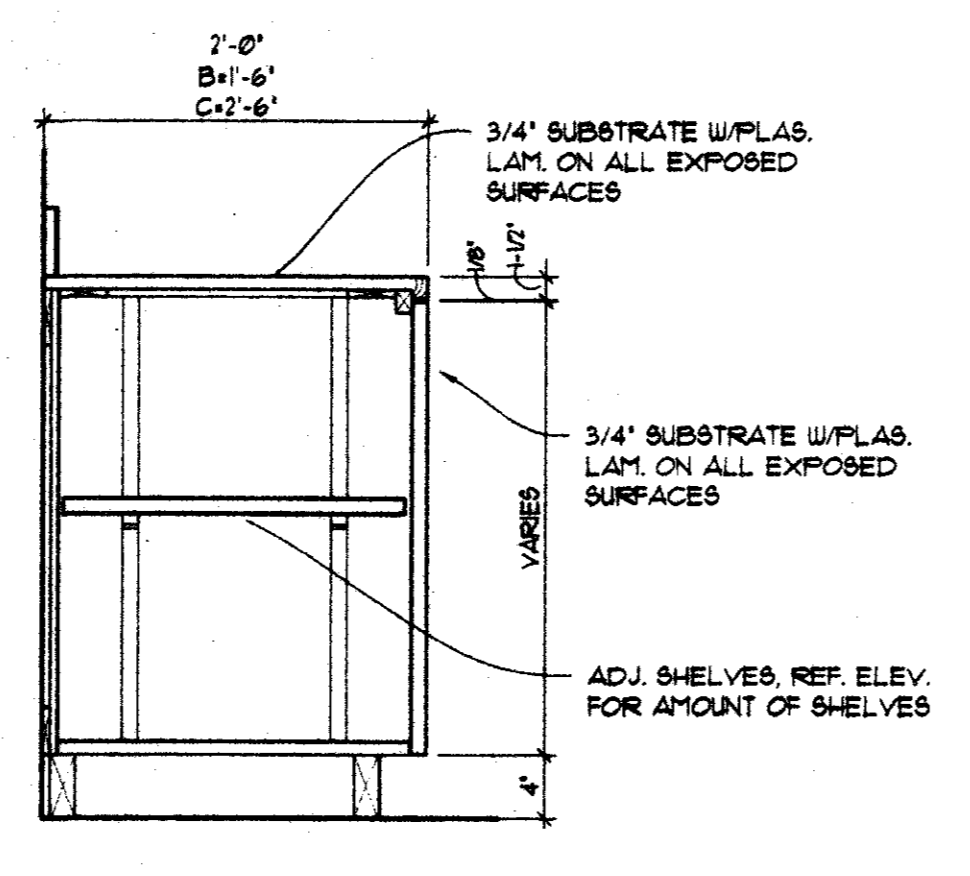
6 SECTION
A5.07 SCALE: 1" = 1'-0"



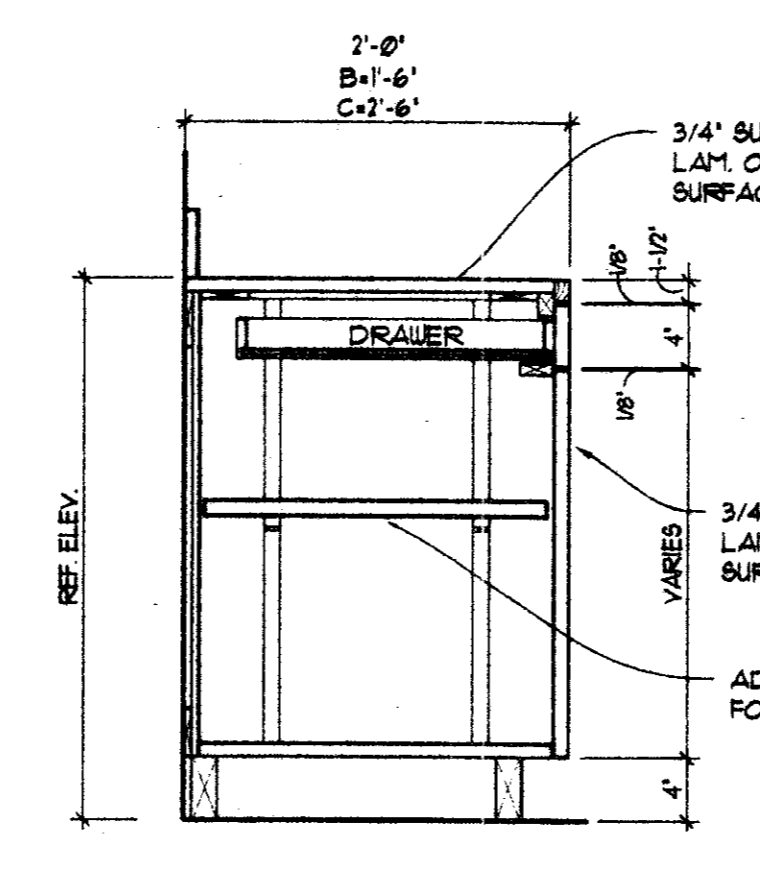
7 SECTION
A5.07 SCALE: 1" = 1'-0"



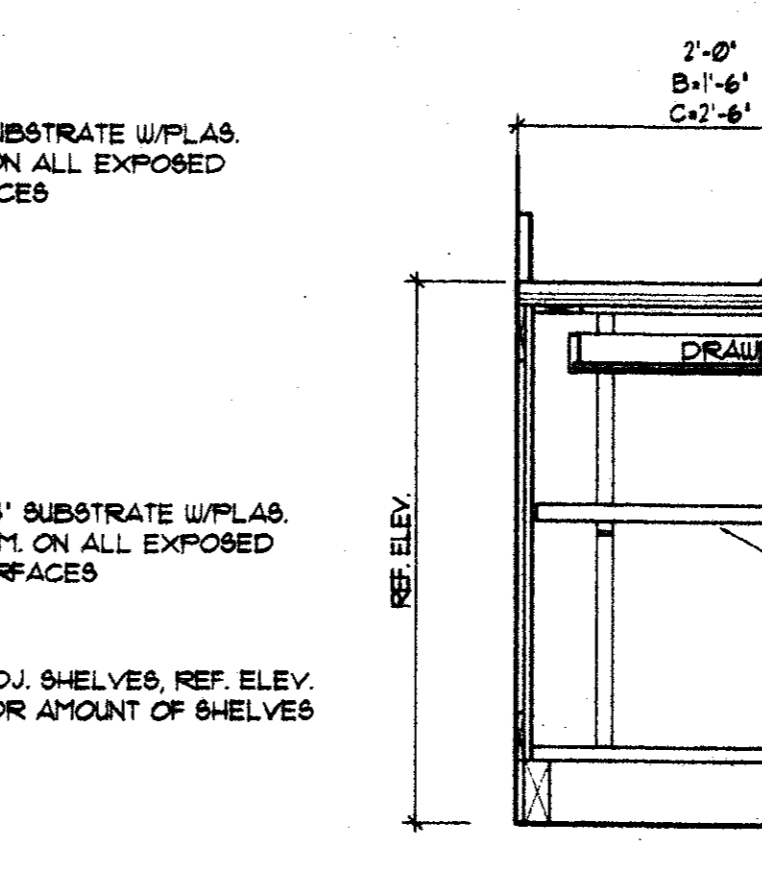
8 SECTION
A5.07 SCALE: 1" = 1'-0"



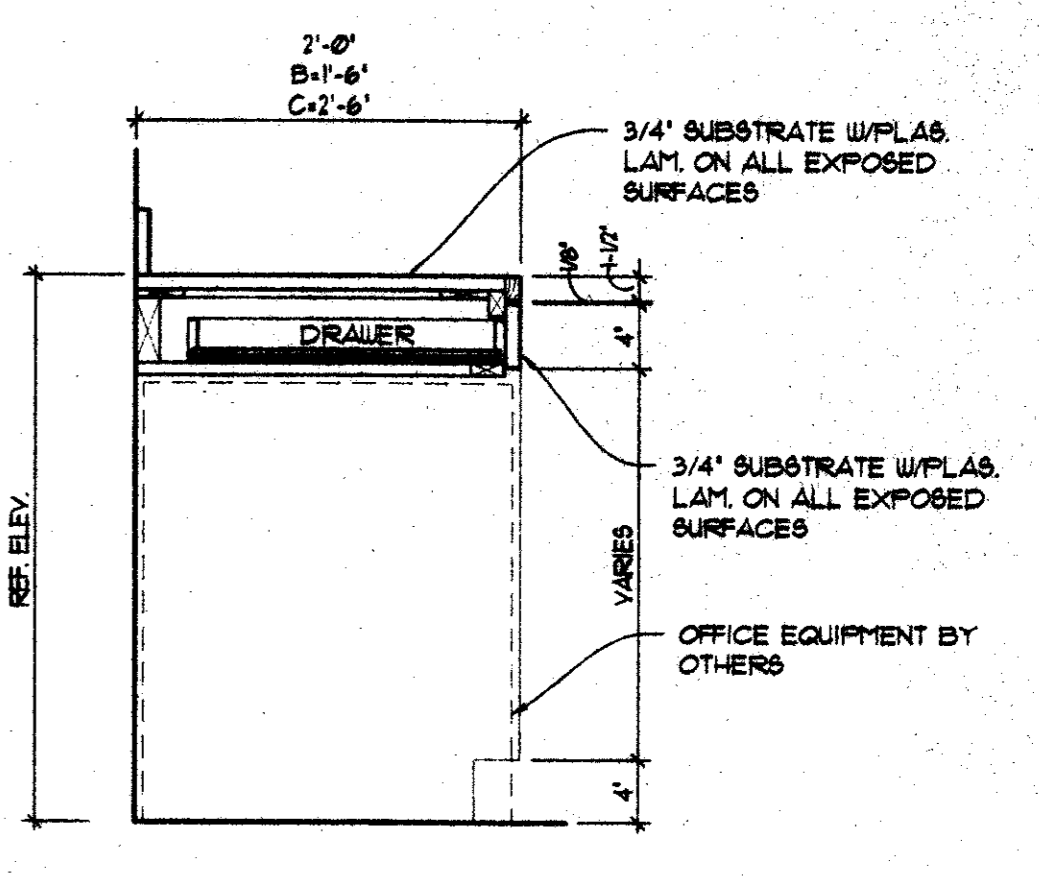
9 SECTION
A5.07 SCALE: 1" = 1'-0"



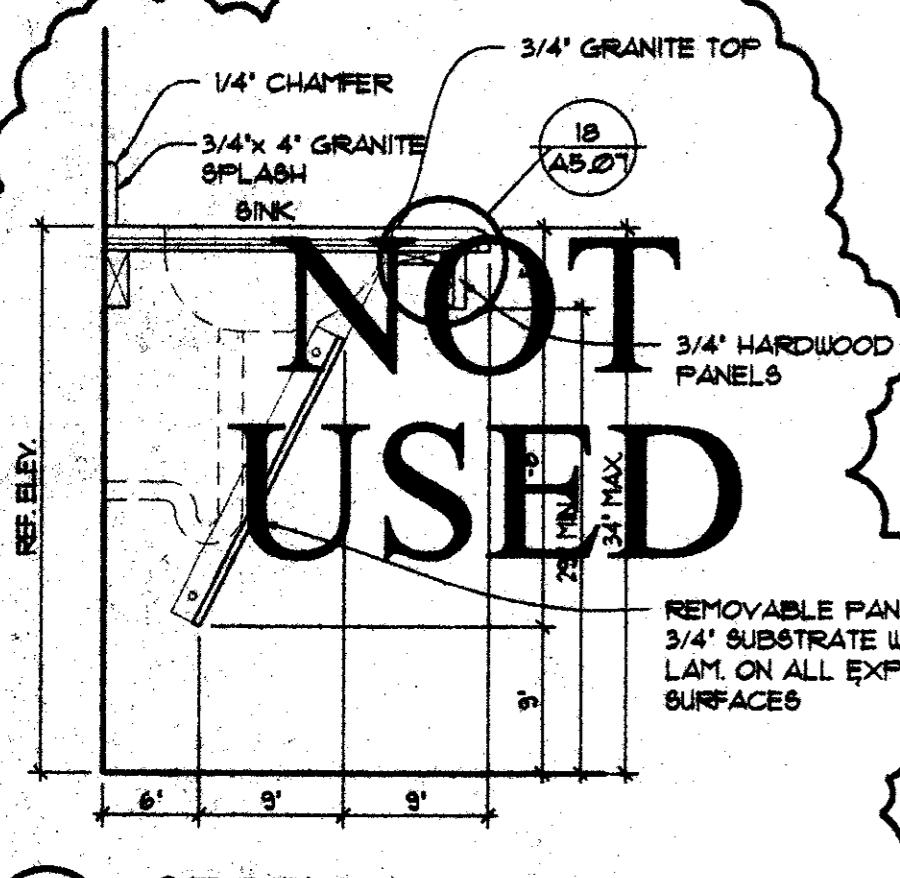
10 SECTION
A5.07 SCALE: 1" = 1'-0"



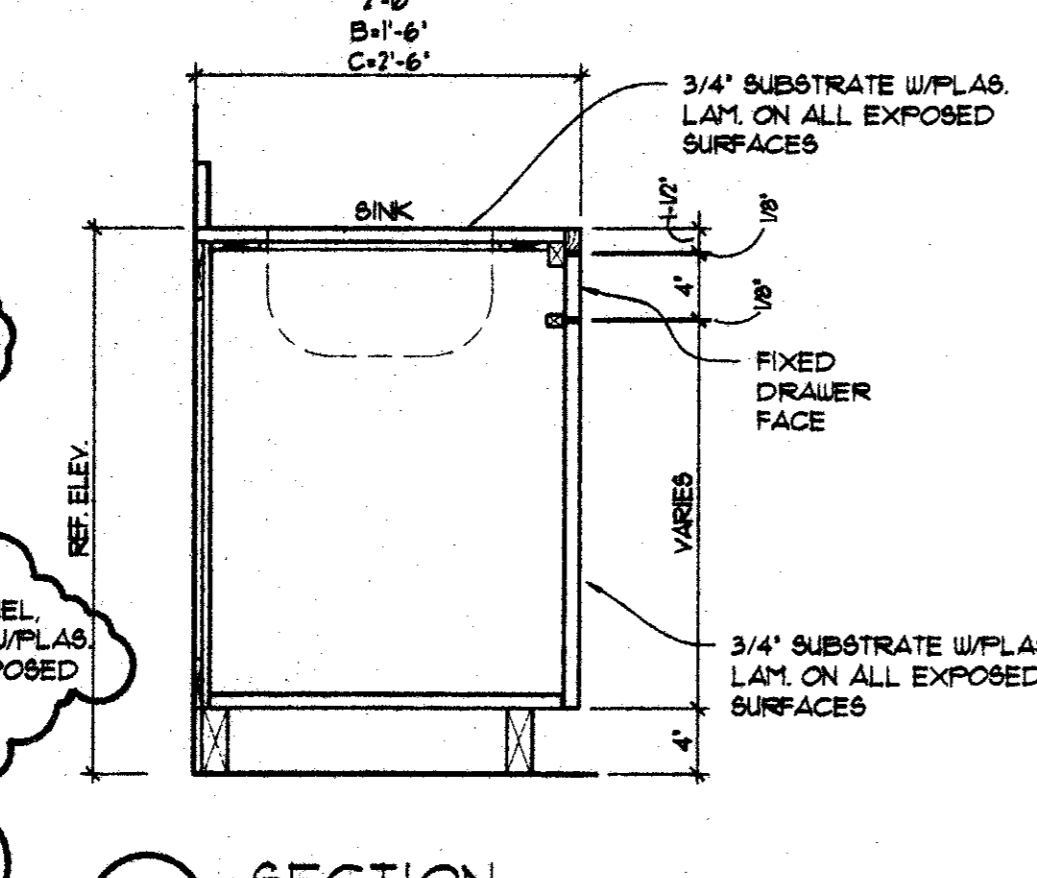
11 SECTION
A5.07 SCALE: 1" = 1'-0"



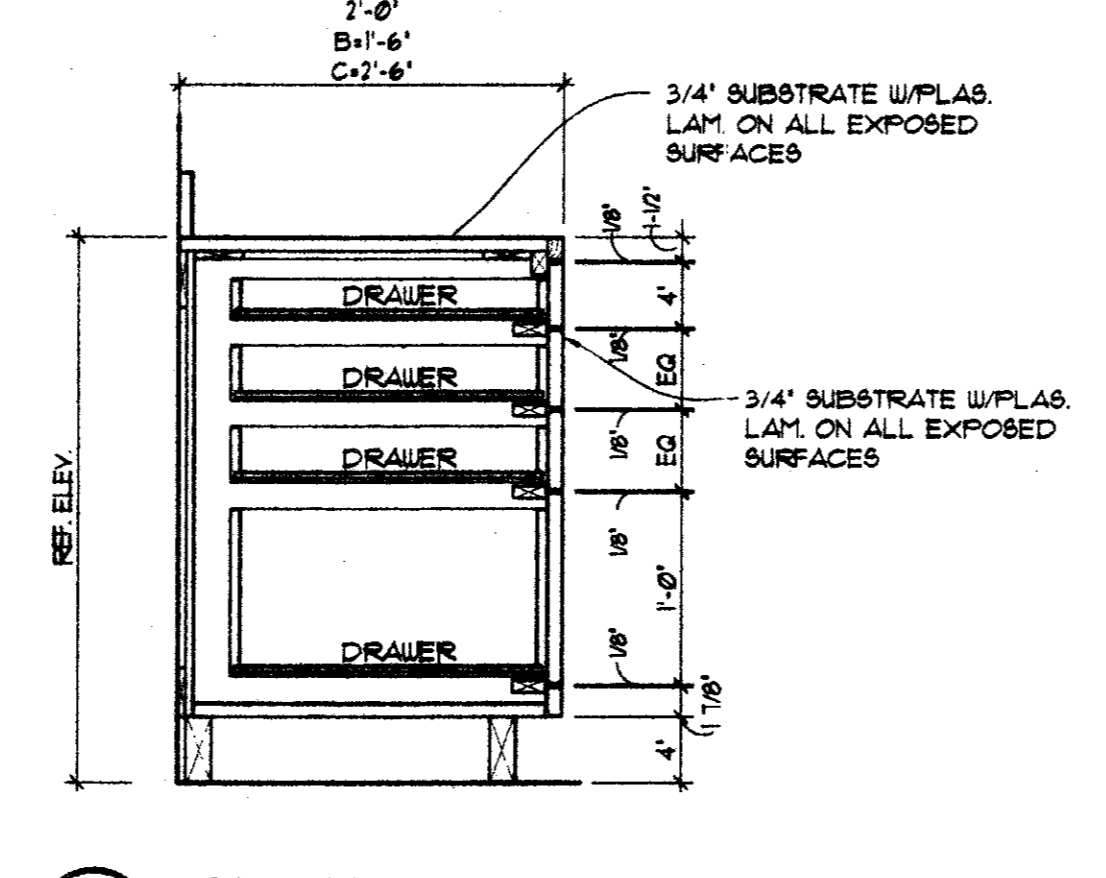
12 SECTION
A5.07 SCALE: 1" = 1'-0"



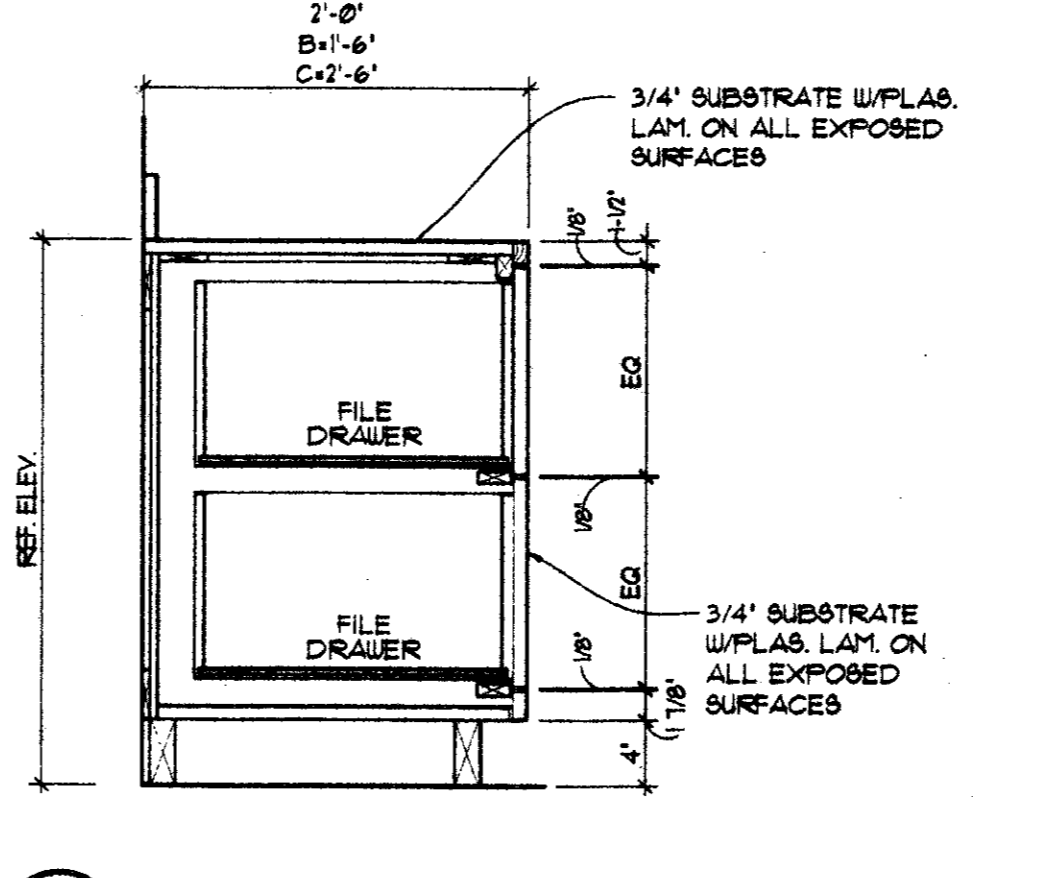
13 SECTION
A5.07 SCALE: 1" = 1'-0"



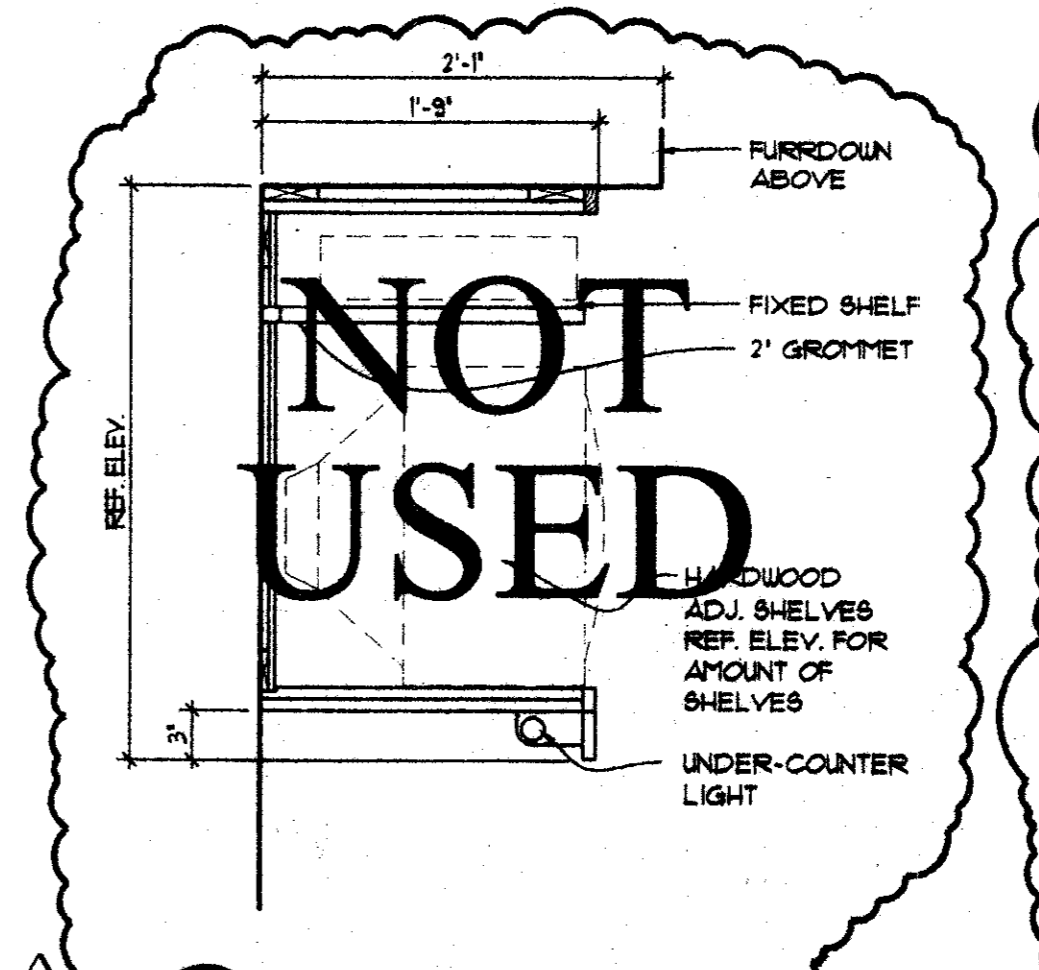
14 SECTION
A5.07 SCALE: 1" = 1'-0"



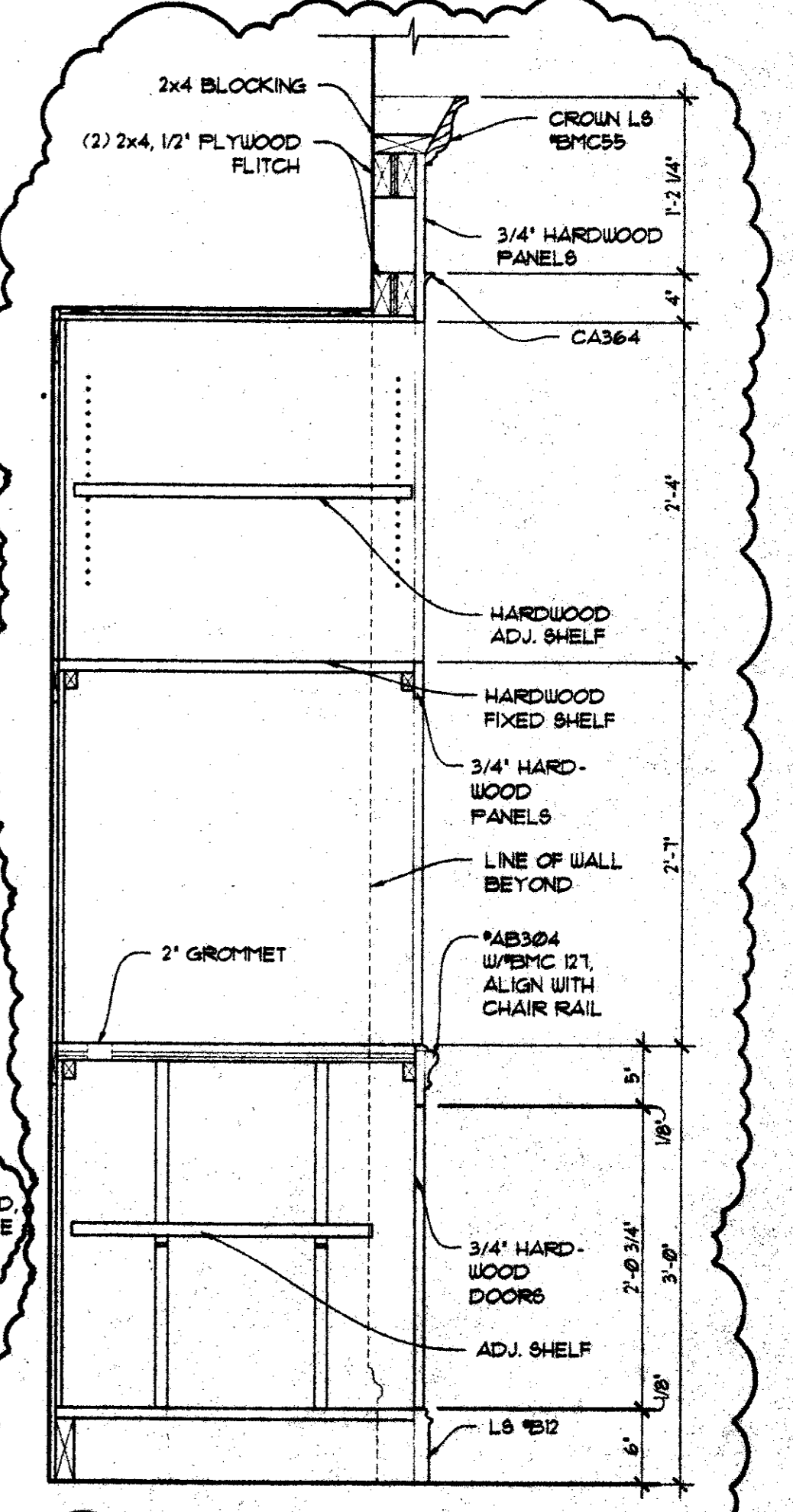
15 SECTION
A5.07 SCALE: 1" = 1'-0"



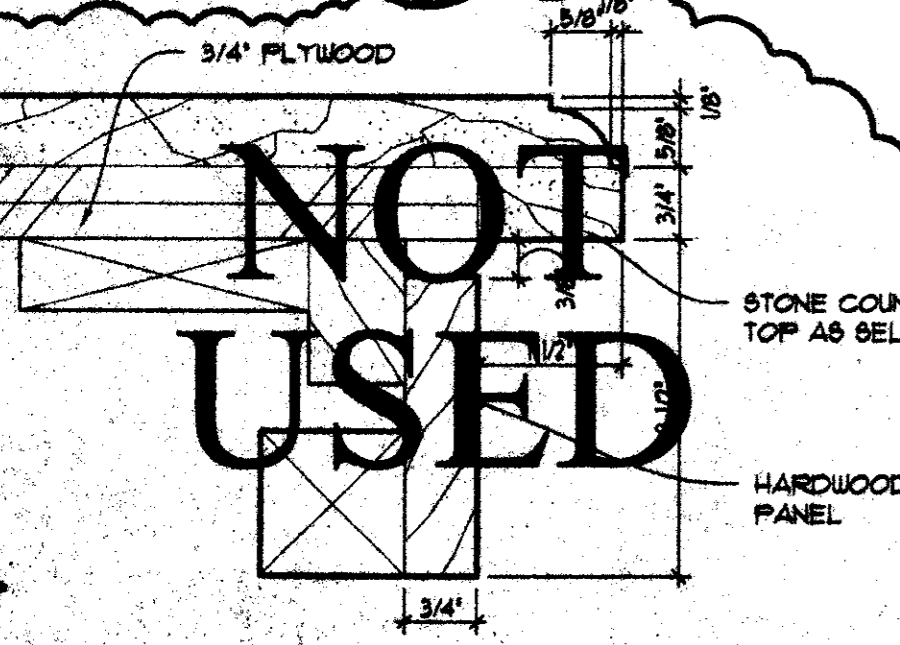
16 SECTION
A5.07 SCALE: 1" = 1'-0"



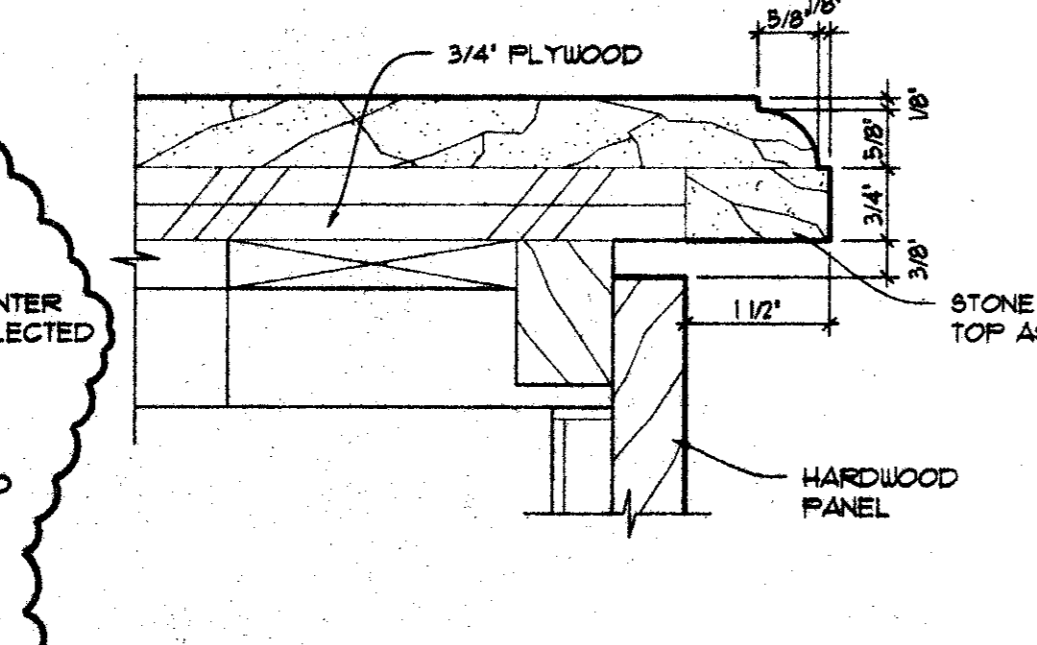
17 SECTION
A5.07 SCALE: 1" = 1'-0"



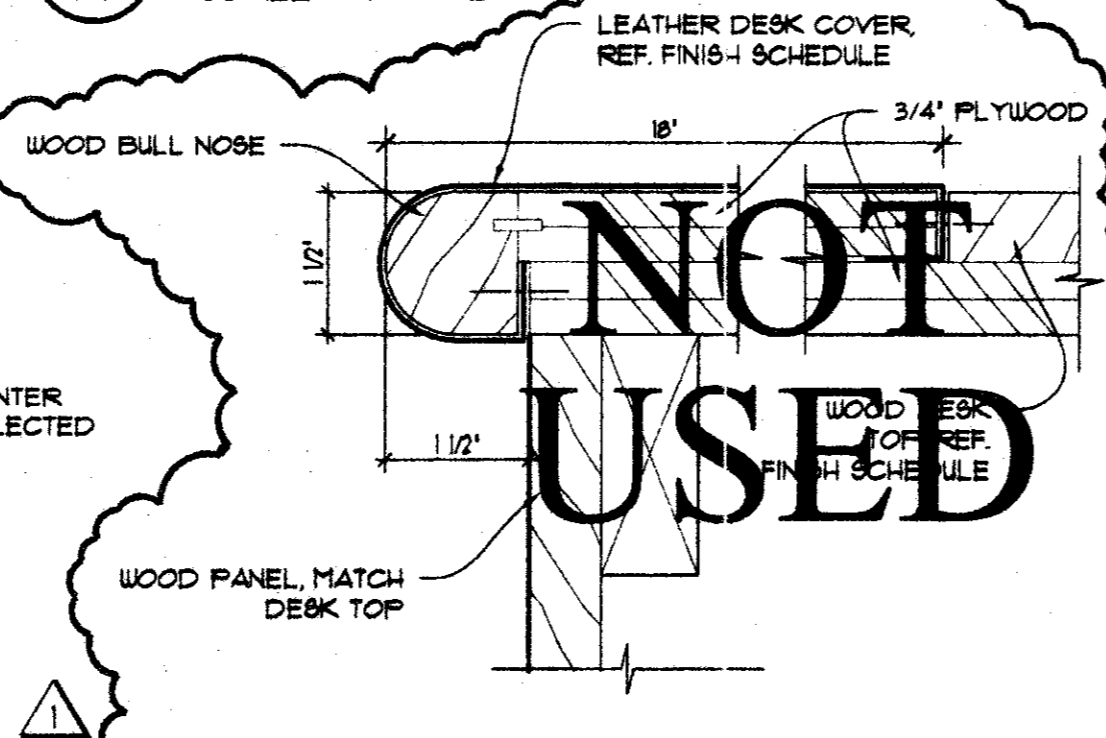
23 SECTION
A5.07 SCALE: 1" = 1'-0"



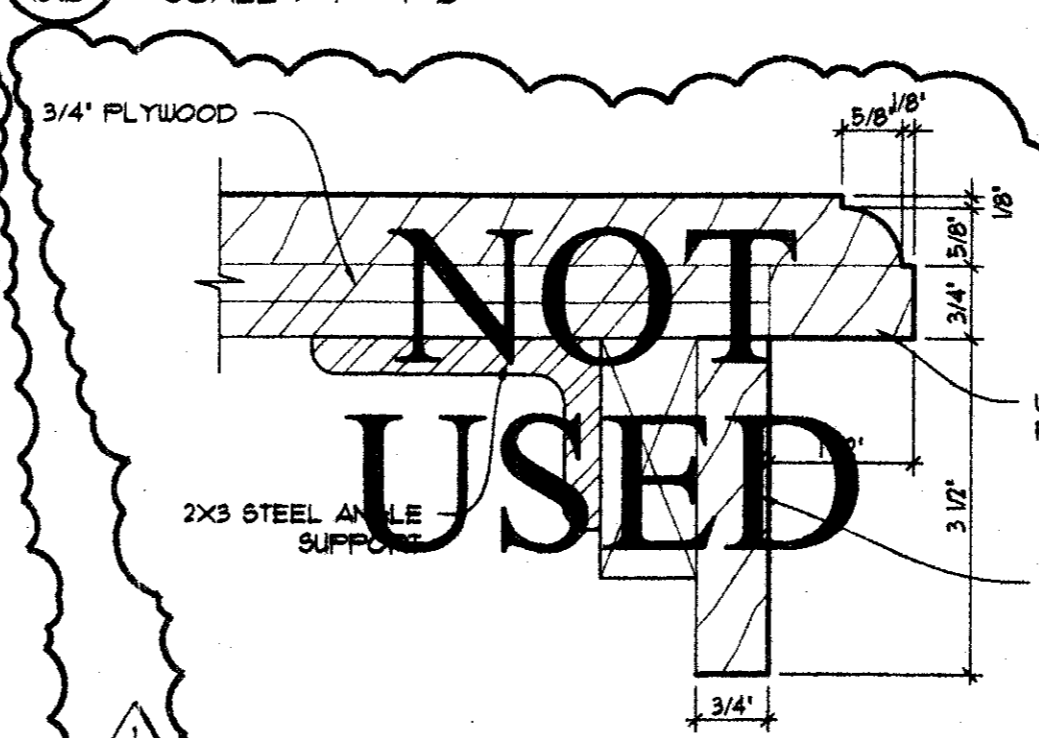
18 COUNTER EDGE DETAIL
A5.07 SCALE: 6" = 1'-0"



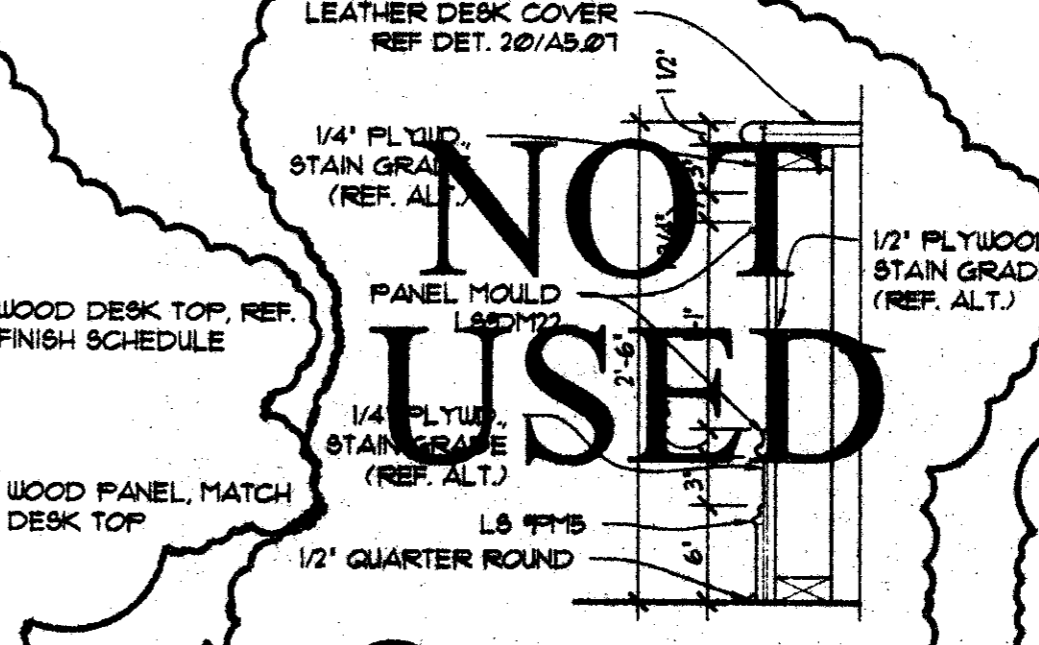
19 COUNTER EDGE DETAIL
A5.07 SCALE: 6" = 1'-0"



20 TELLER DESK DETAIL
A5.07 SCALE: 6" = 1'-0"

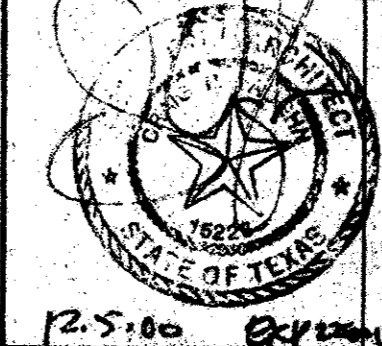


21 TELLER DESK DETAIL
A5.07 SCALE: 6" = 1'-0"



22 SECTION
A5.07 SCALE: 1" = 1'-0"

Copyright © 2004 R-F Architecture, Inc. All rights reserved. Drawing: P11044.1.SB - Address Book & Drawing Schedule - 14 drawings (RMA.507.dwg) at Dec 05, 2004 12:56pm by davis



R-F
ROGERS, FORD
ARCHITECTURE - INTERIOR DESIGN
2616 THOMAS AVENUE
DALLAS, TEXAS 75204
TELEPHONE (214) 971-9181
FAX (214) 971-3155

LONE STAR BANK
Belwood Parkway East
at Beltline Road
Addicks, TX
Project # 1804

7-25-00 ISSUED FOR PERMIT
8-17-00 ISSUE FOR BID
12-05-00 CONST. ISSUE
12-05-00 P.R. #1

A5.07