

PLUMBING FIXTURE CONNECTION SCHEDULE

MARK	FIXTURE	CONNECTIONS			
		CW	HW	WASTE	VENT
P-1	WATER CLOSET, FLUSH VALVE	1-1/2"	---	4"	2"
P-2	LAVATORY	1/2"	1/2"	2"	2"
P-3, P-4	SINK	1/2"	1/2"	2"	2"
P-5	REFRIGERATOR BOX	1/2"	---	---	---
P-6	WALL HYDRANT	3/4"	---	---	---
FD	FLOOR DRAIN	---	---	3"	2"

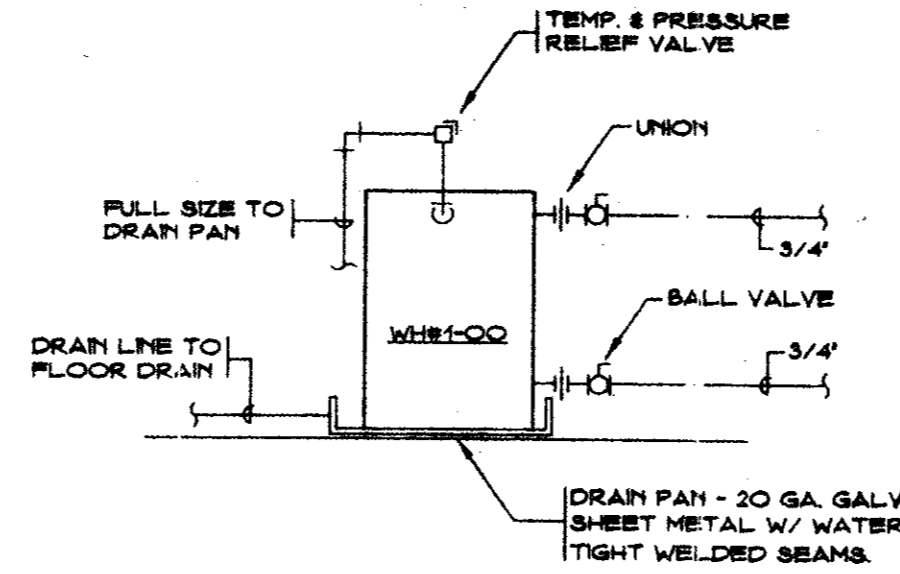
PLUMBING FIXTURE SCHEDULE

MARK	FIXTURE	MFR	CAT. NO.	REMARKS
P-1	WATER CLOSET (ADA)	ELJER	111-4815	FLOOR MOUNTED 1.6 GPF, ELONGATED BOWL, SIPHON JET TOP OF SEAT 17" AFF, ADA COMPLIANT
	SEAT	BEAMS	1955SSC	
	FLUSH VALVE	SLOAN	ROYAL 111	
P-2	LAVATORY (ADA)	ELJER	051-2984	20" x 27" x 14" WALL HUNG VITREOUS CHINA WHEELCHAIR LAVATORY WITH WIDESPREAD FAUCET, 4" CENTERSET WITH WRIST BLADE HANDLES, TOP OF LAVATORY 34" AFF.
	FAUCET	ELJER	359-0712	
	STOPS & RISERS	ELJER	802-0320	
	TAILPIECE	ELJER	803-0530	
	P-TRAP	ELJER	804-1190	
	INSULATION	TRUBRO	#103	
P-3	SINK (DOUBLE COMPARTMENT)	LRAD	3322	33" x 21" x 5 1/2" DEEP, 18 GAUGE TYPE 302 STAINLESS STEEL WITH 4 HOLES, DECK MOUNTED FAUCET WITH HIGH ARC SWING SPOUT AND WRIST BLADE HANDLES
	FAUCET	ELJER	718-2090	
	STOPS & RISERS	ELJER	802-0320	
	TAILPIECE	ELJER	803-0580	
	P-TRAP	ELJER	804-1190	
P-4	SINK (BAR)	ELKAY	CKAD-2517	18" x 14" x 6 1/4" DEEP, 20 GAUGE TYPE 302 STAINLESS STEEL WITH 1 HOLE, DECK MOUNTED FAUCET WITH HIGH ARC SPOUT AND SINGLE WRIST HANDLE
	FAUCET	ELJER	LC-2085-13-L	
	STOPS & RISERS	ELJER	802-0320	
	TAILPIECE	ELJER	803-0580	
	P-TRAP	ELJER	804-1190	
P-5	REFRIGERATOR BOX	GUY GRAY	8W878	RECESSED STEEL BOX WITH 1/2" FN INLET AND 1/2" OD OUTLET, COMPRESSION ANGLE VALVE.
P-6	WALL HYDRANT	WOODFORD	B85	ANTI-SIPHON, AUTOMATIC DRAINING, FREEZELESS WALL HYDRANT. PROVIDE 2 KEYS
FD	FLOOR DRAIN	WADE	W-1103	W/ NICKEL BRONZE TOP AND TRAP PRIMER
WCO	WALL CLEANOUT	WADE	W-8480-R	CLEANOUT TEE W/ BRASS PLUG AND S.S. ACCESS COVER
CO	FLOOR CLEANOUT	WADE	W-8000	W/ NICKEL BRONZE TOP AND "TY-SEAL" CONNECTION

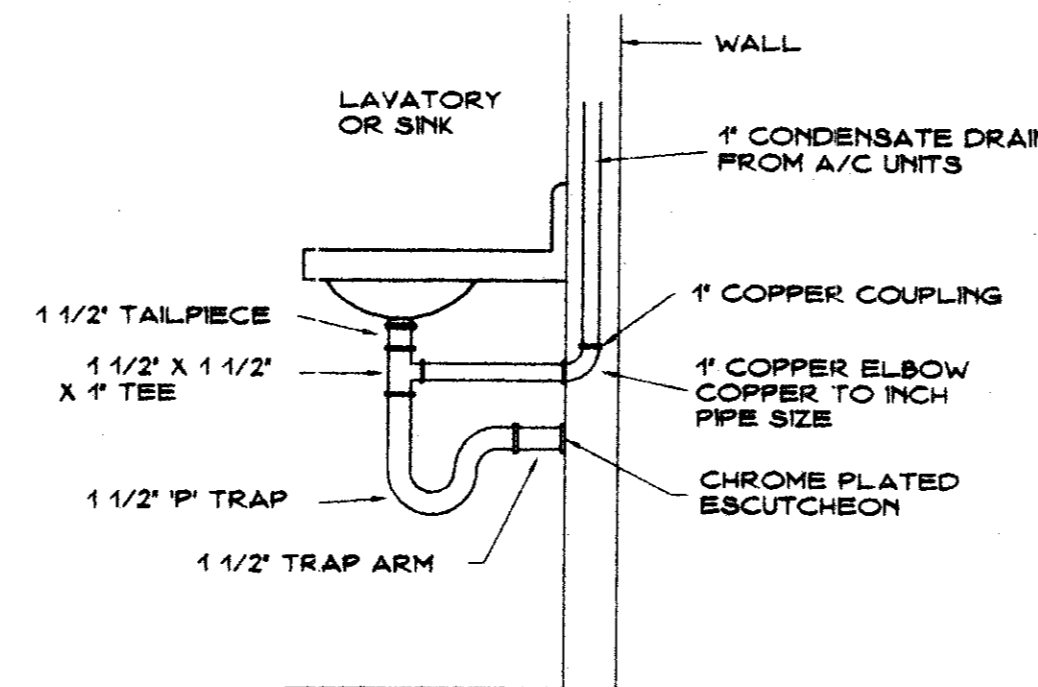
WATER HEATER SCHEDULE

MARK	TANK CAP.	FUEL	INPUT	ELEC. DATA	RECOVERY GPH	EXAMPLE
WH #1-00	20 GAL.	ELEC.	2000 W	208V S/P	8 GPH	RHEEM

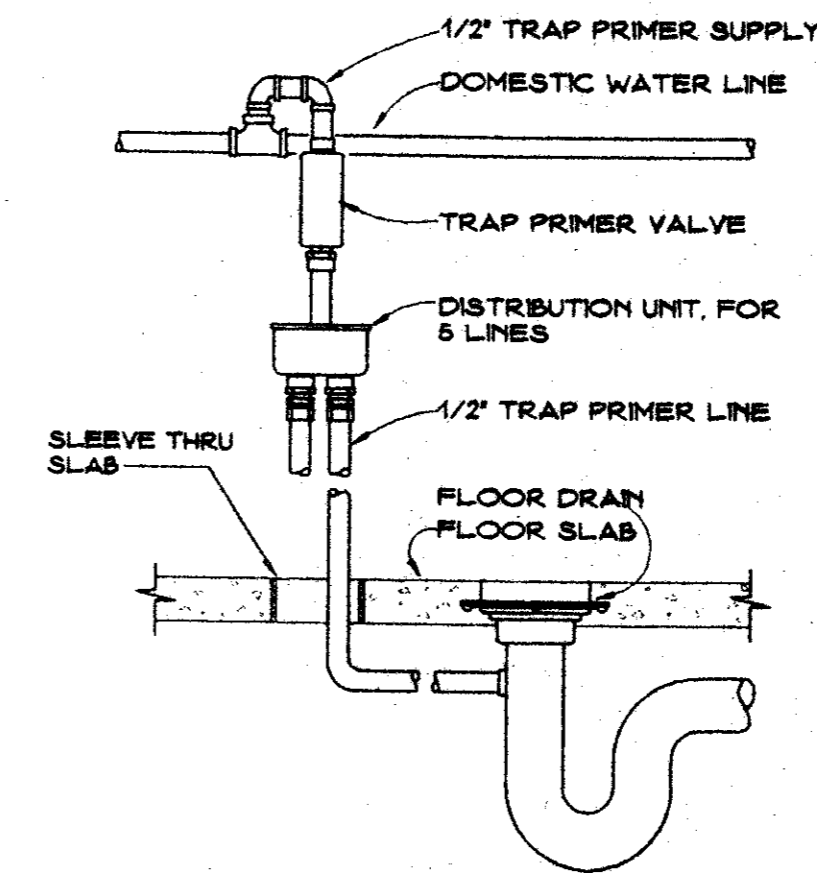
NOTE: RECOVERY BASED ON 90 DEGREE TEMPERATURE RISE.



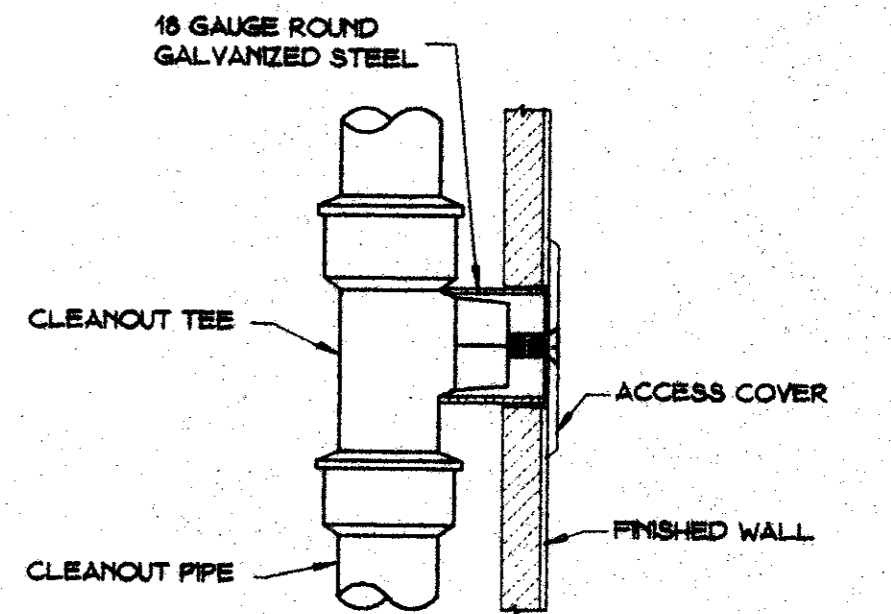
UNDERCOUNTER WATER HEATER PIPING DETAIL
NO SCALE



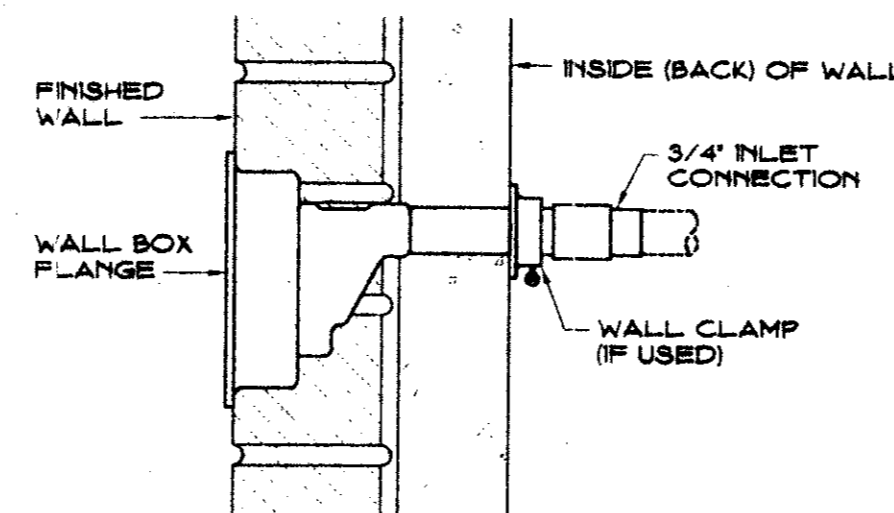
SINK TAILPIECE DRAIN DETAIL
NO SCALE



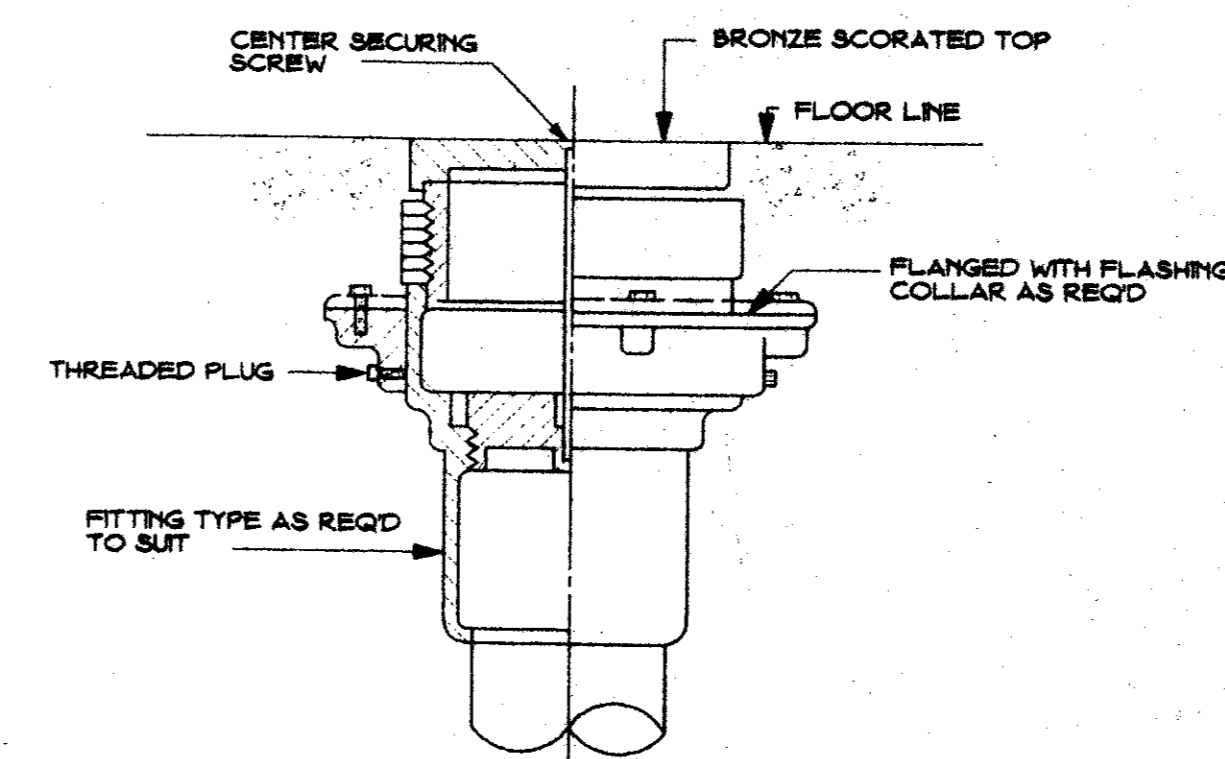
TRAP SEAL PRIMER DETAIL
NO SCALE



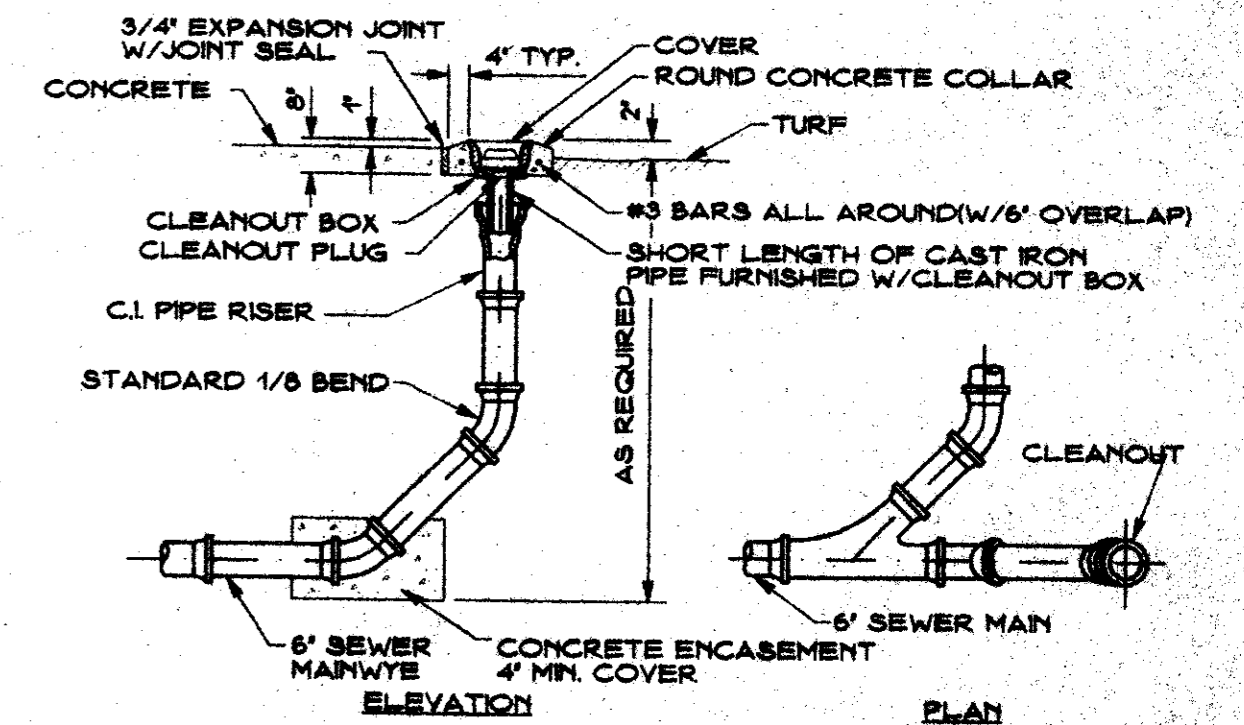
WALL CLEANOUT DETAIL
NO SCALE



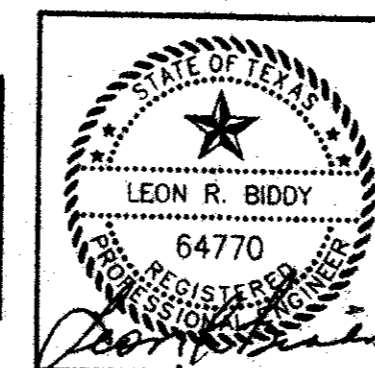
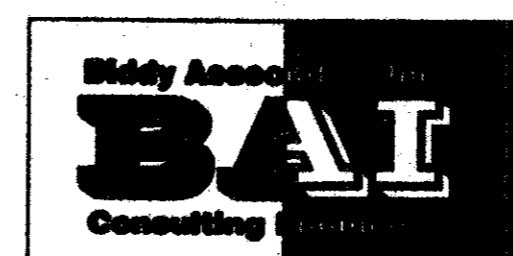
FREEZEPROOF WALL HYDRANT
NO SCALE



FLOOR CLEANOUT
NO SCALE



TYPICAL EXTERIOR CLEANOUT DETAIL
NO SCALE



R-F
ROGERS - FORD
ARCHITECTURE - INTERIOR DESIGN
2616 THOMAS AVENUE
DALLAS, TEXAS 75204
TELEPHONE (214) 871-9388
FAX (214) 871-3155

LONE STAR BANK
Belwood Parkway East
at Beltline Road
Addicks, TX
Project # 1804

7-25-2000 Issue for Permit
7-19-2000 2a-15000 by Permit
8-17-2000 1550E PERM. 181 D
12-5-2000 CONST. ISSUE

P1.02