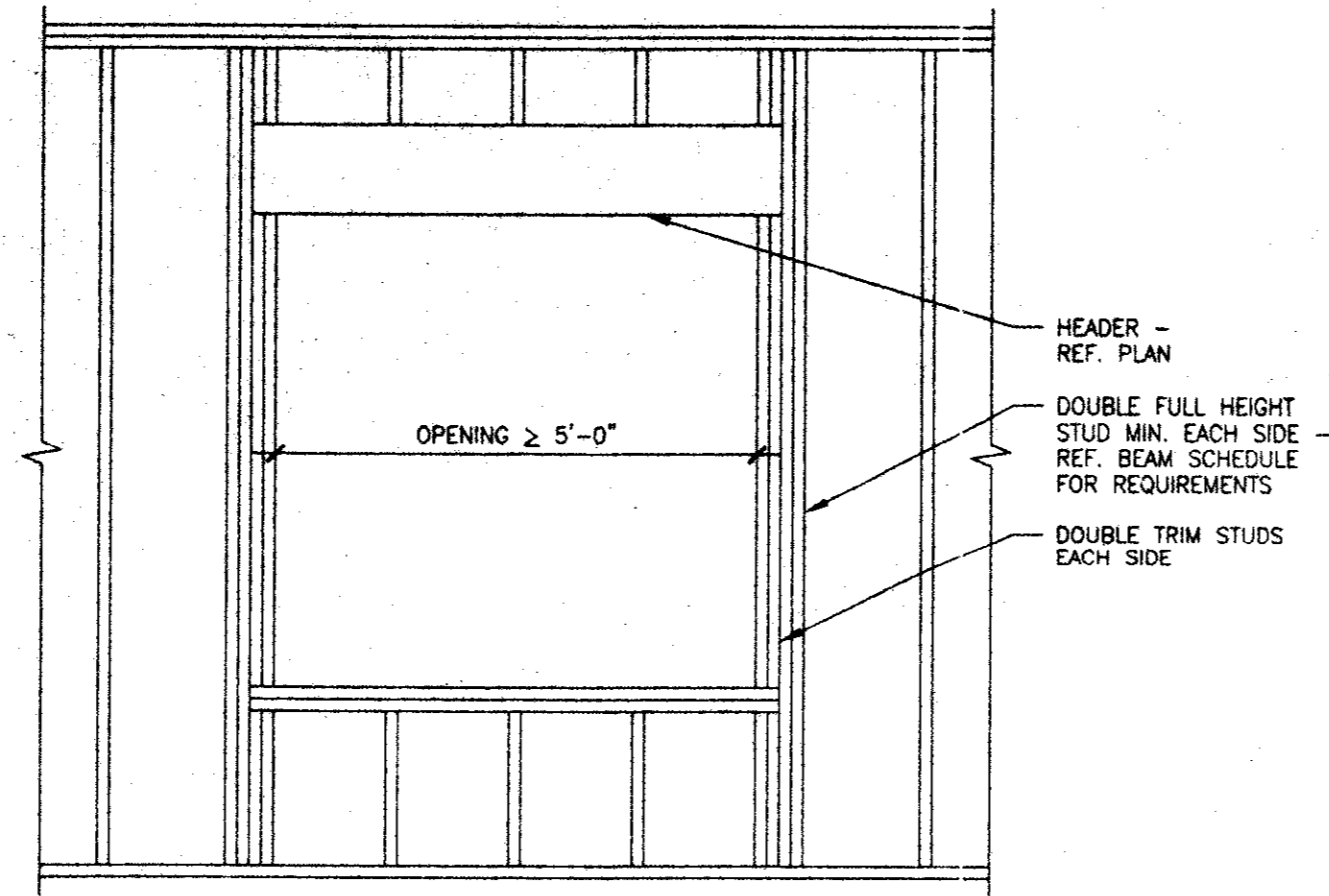
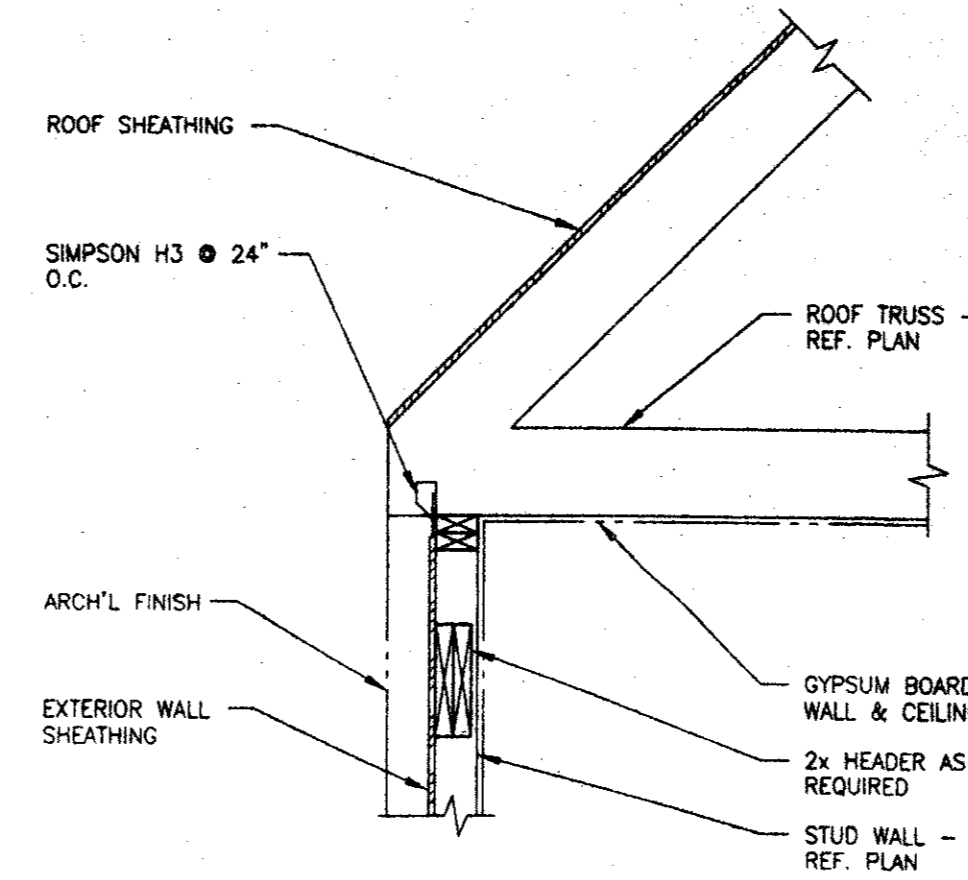


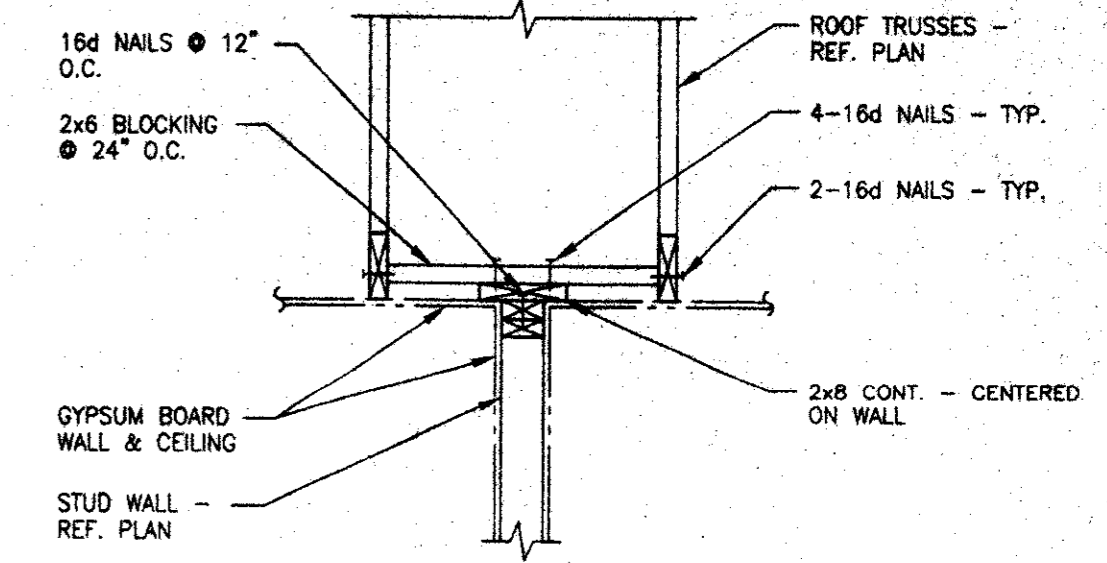
1
S4.01
TYPICAL OPENING FRAMING AT
2x STUD WALL - OPENING \leq 5'-0"
NO SCALE



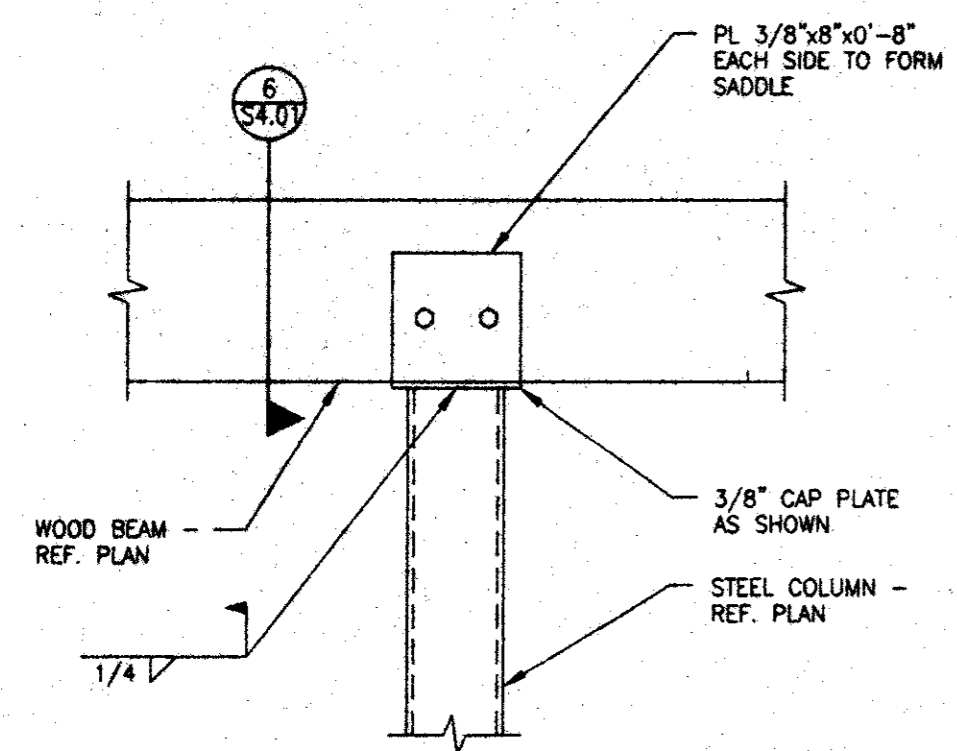
2
S4.01
TYPICAL OPENING FRAMING AT
2x STUD WALL - OPENING \geq 5'-0"
NO SCALE



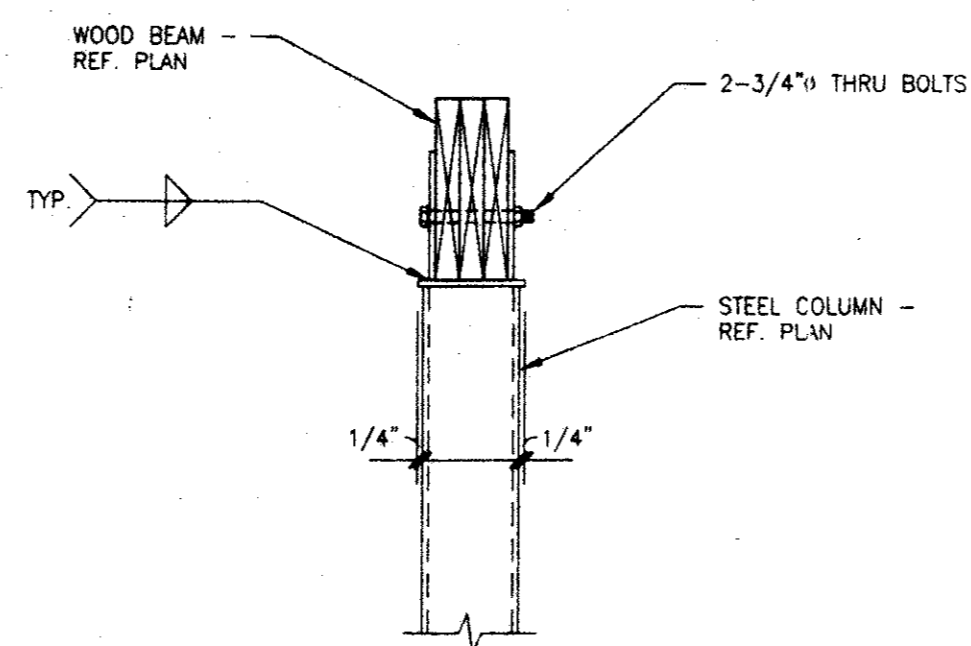
3
S4.01
EXTERIOR ROOF DETAIL
NO SCALE



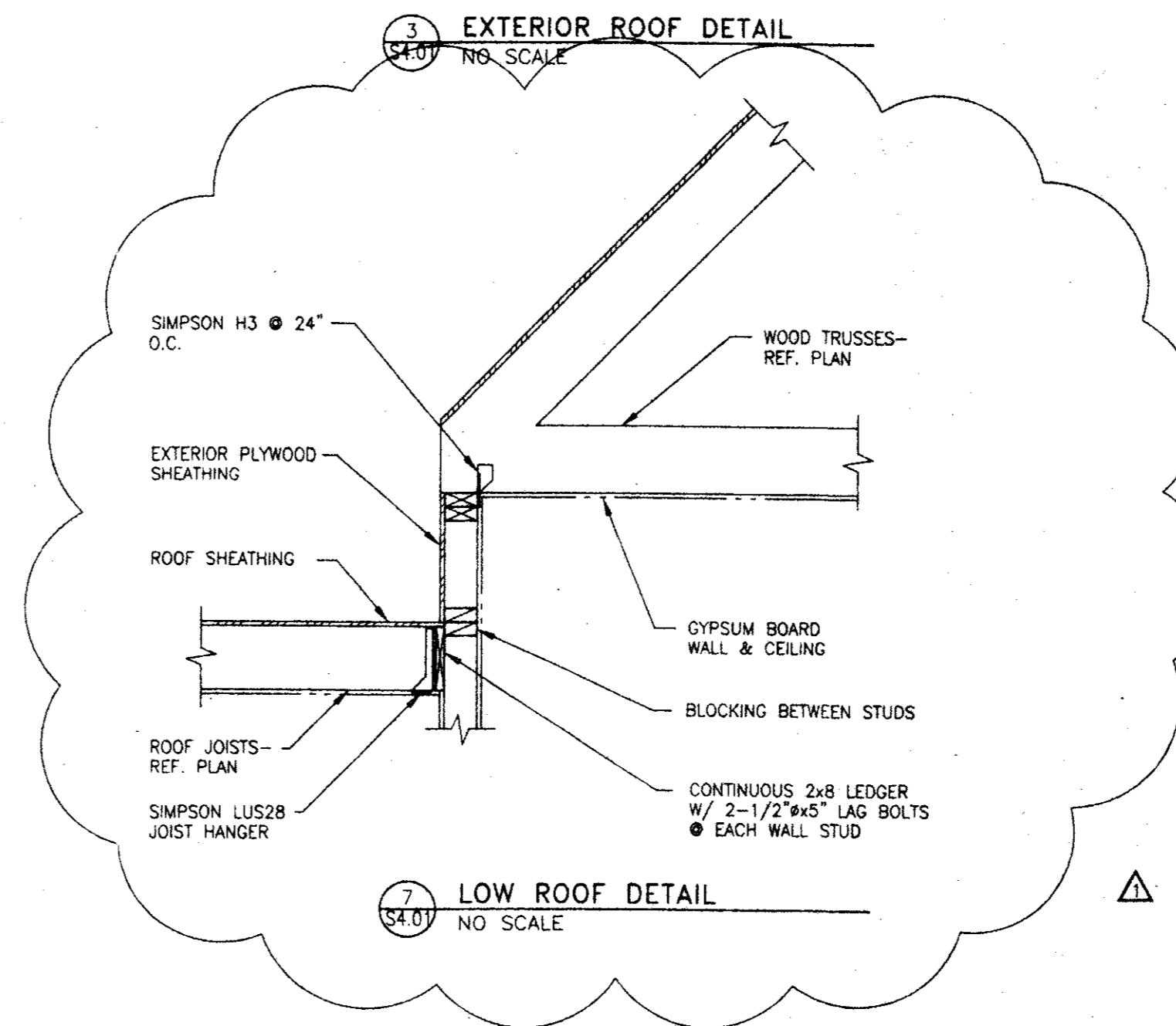
4
S4.01
TYPICAL ROOF TRUSS TO
INTERIOR SHEARWALL
(ROOF TRUSS PARALLEL TO WALL)
NO SCALE



5
S4.01
DETAIL
SCALE: 1"=1'-0"

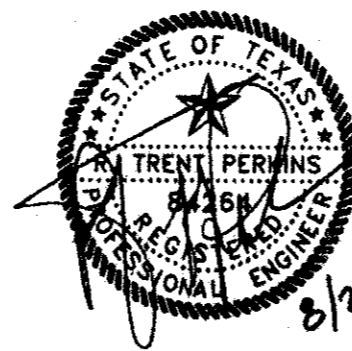


6
S4.01
DETAIL
SCALE: 1"=1'-0"



7
S4.01
LOW ROOF DETAIL
NO SCALE

FILE INFO: 8018s-01.dwg 1=15 08/25/00 11:48



THE SEAL APPEARING
ON THIS DOCUMENT
WAS AUTHORIZED BY
R. TRENT PERKINS, P.E. 84264
ON
27 JULY 00

THIS DOCUMENT IS THE RENDERING OF A
PROFESSIONAL SERVICE, THE ESSENCE OF
WHICH IS THE PROVIDING OF ADVICE, JUDGEMENT,
OPINION, OR SIMILAR PROFESSIONAL SKILL.

P P O
Parkin • Perkins • Olsen
Consulting Engineering, Inc.
12970 Pandora Drive Suite 200
Dallas, Texas 75238
Tel 214.221.2220 - Fax 214.221.2252
Project No. 39018

R-F
ROGERS - FORD
ARCHITECTURE - INTERIOR DESIGN
2616 THOMAS AVENUE
DALLAS, TEXAS 75204
TELEPHONE (214) 871-9388
FAX (214) 871-3155

LONE STAR BANK
4650 Beltline Road
Addison, TX
Project # 1804

7-27-2000 PERMIT ISSUE
8-17-2000 ISSUE FOR BID
8-25-2000 ADDENDUM #1
12-5-2000 CORRECT. ISSUE

S4.01

FRAMING DETAILS