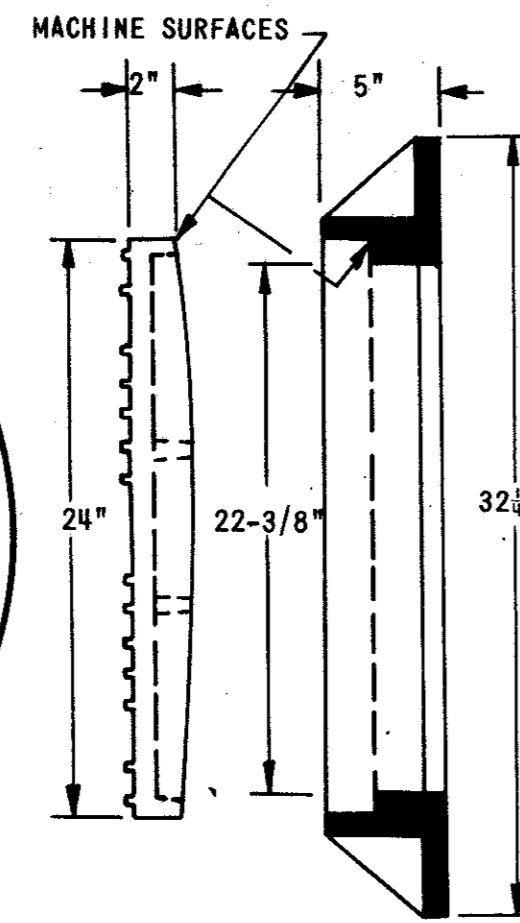
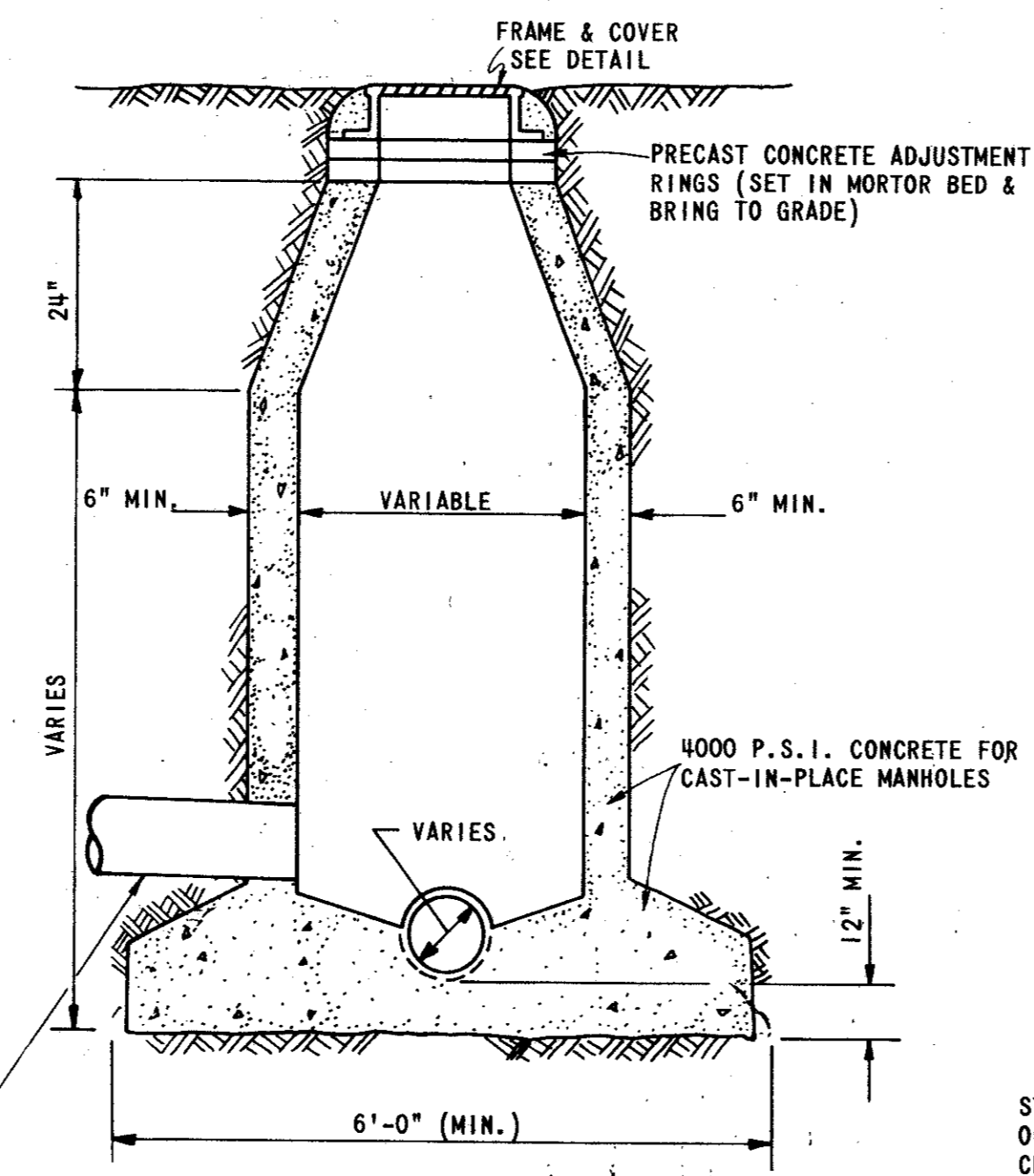


CAST IRON GRATE AND FRAME DETAIL
Provide with pick bar hooks.

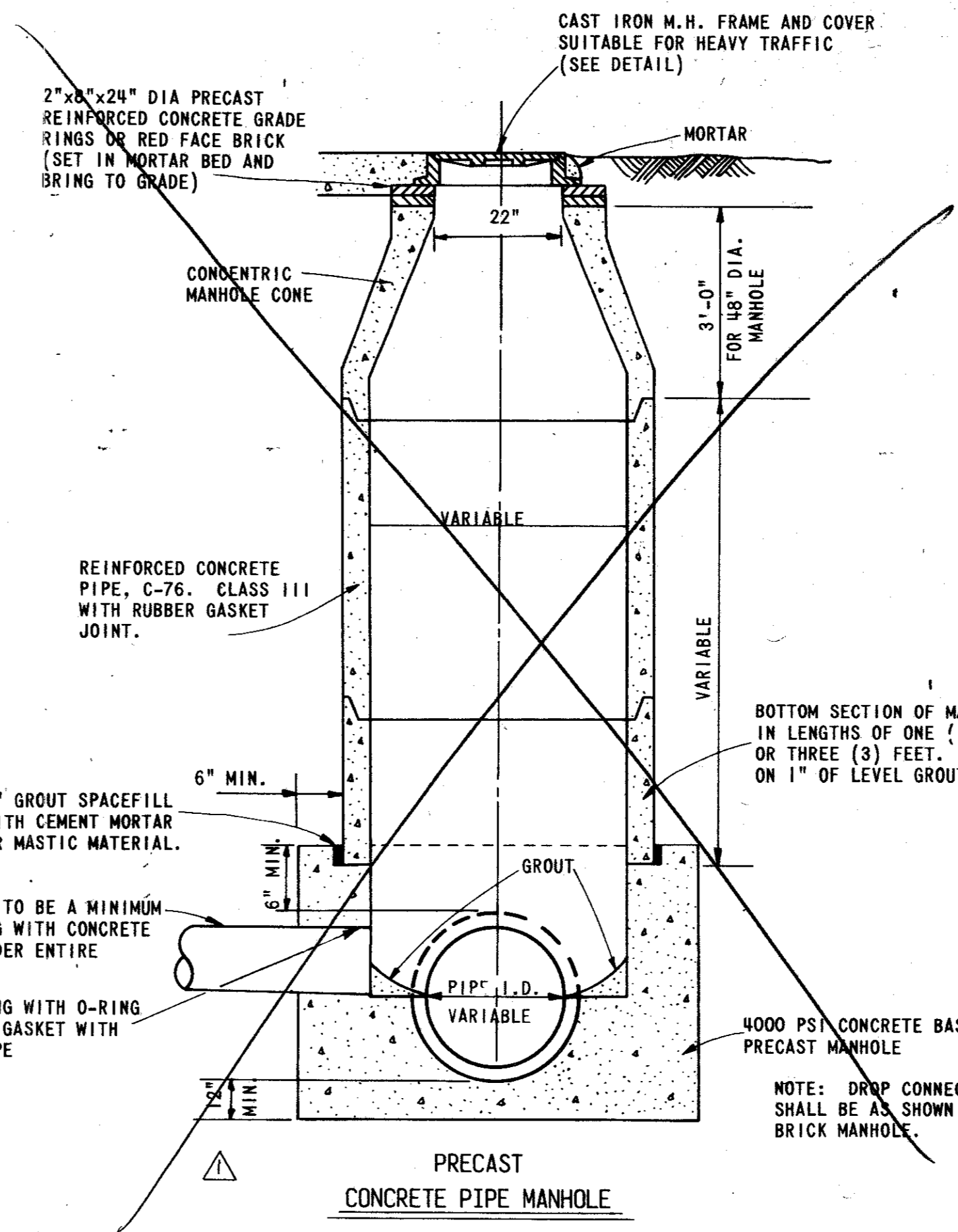


STUBOUTS TO BE A MINIMUM OF 5' LONG WITH CONC. CRADLE UNDER ENTIRE LENGTH

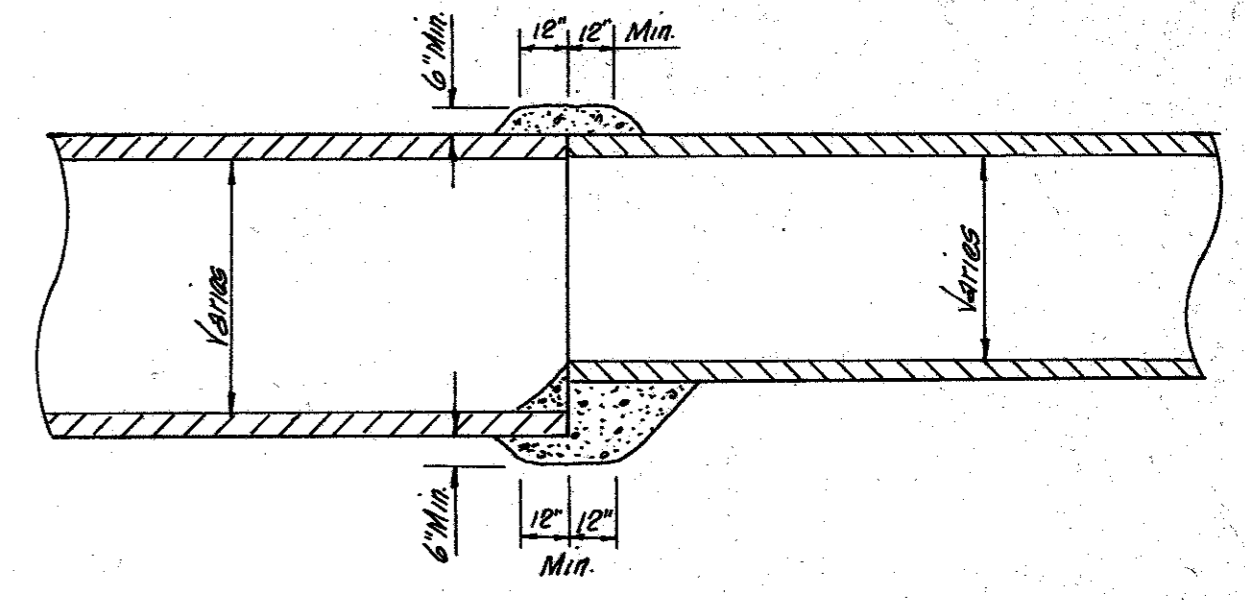


STANDARD CAST IN PLACE MANHOLE

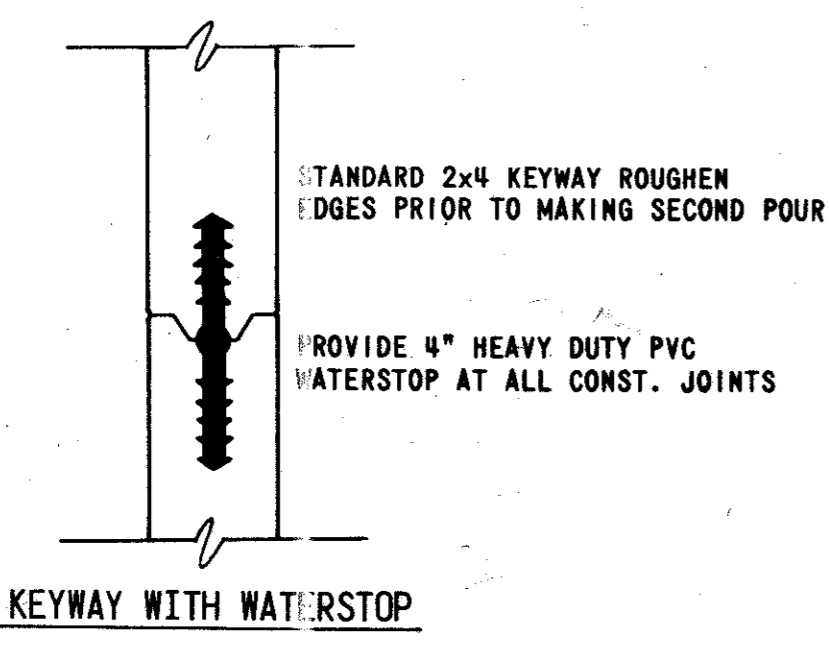
- CAST-IN-PLACE NOTES:**
1. KEYWAYS REQUIRED FOR ALL CONSTRUCTION JOINTS.
 2. P.V.C. WATER STOP REQUIRED FOR ALL JOINTS IN LOWER 4'-0" OF MANHOLES.
 3. CONCRETE SHALL BE 4000 P.S.I.



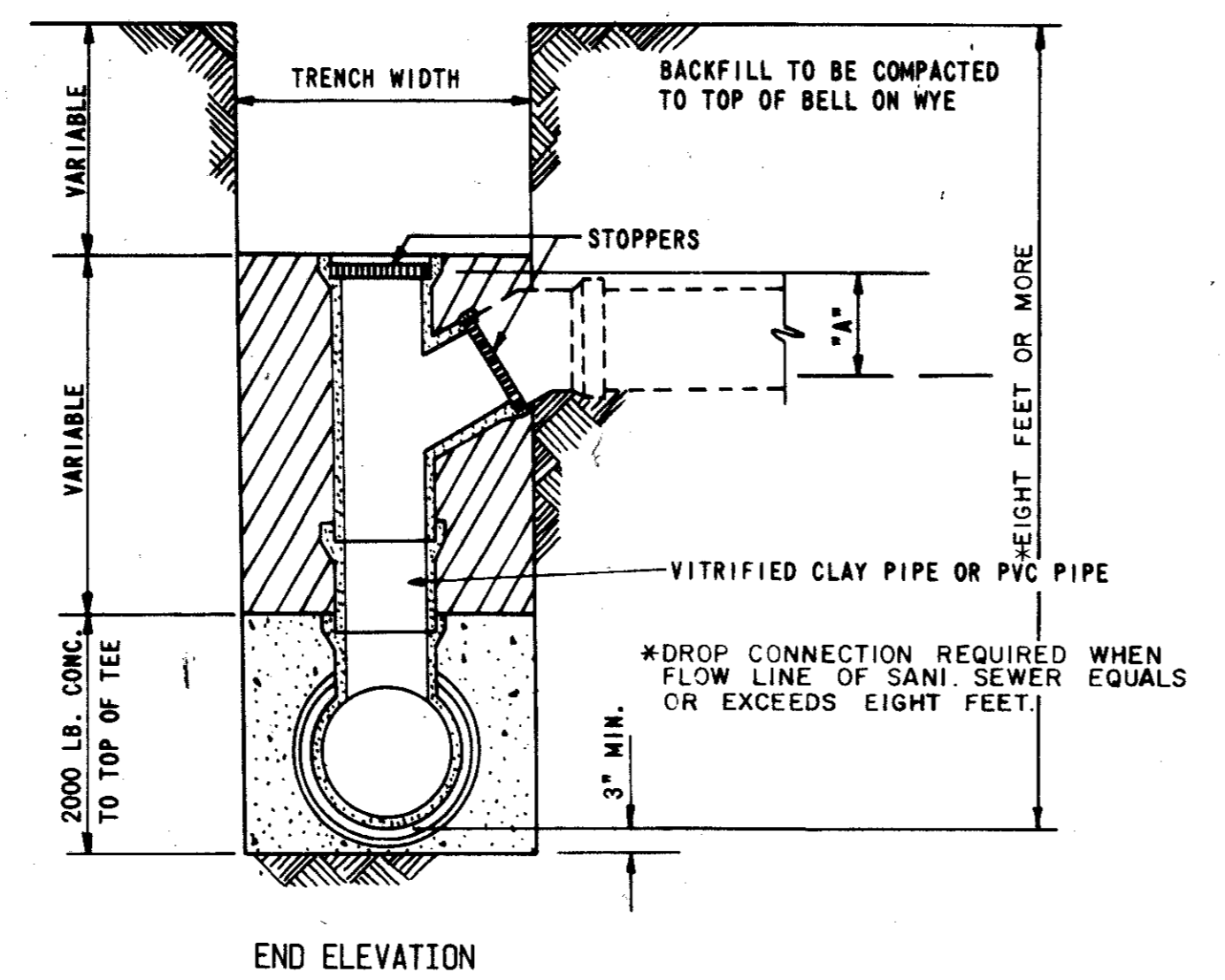
PRECAST CONCRETE PIPE MANHOLE



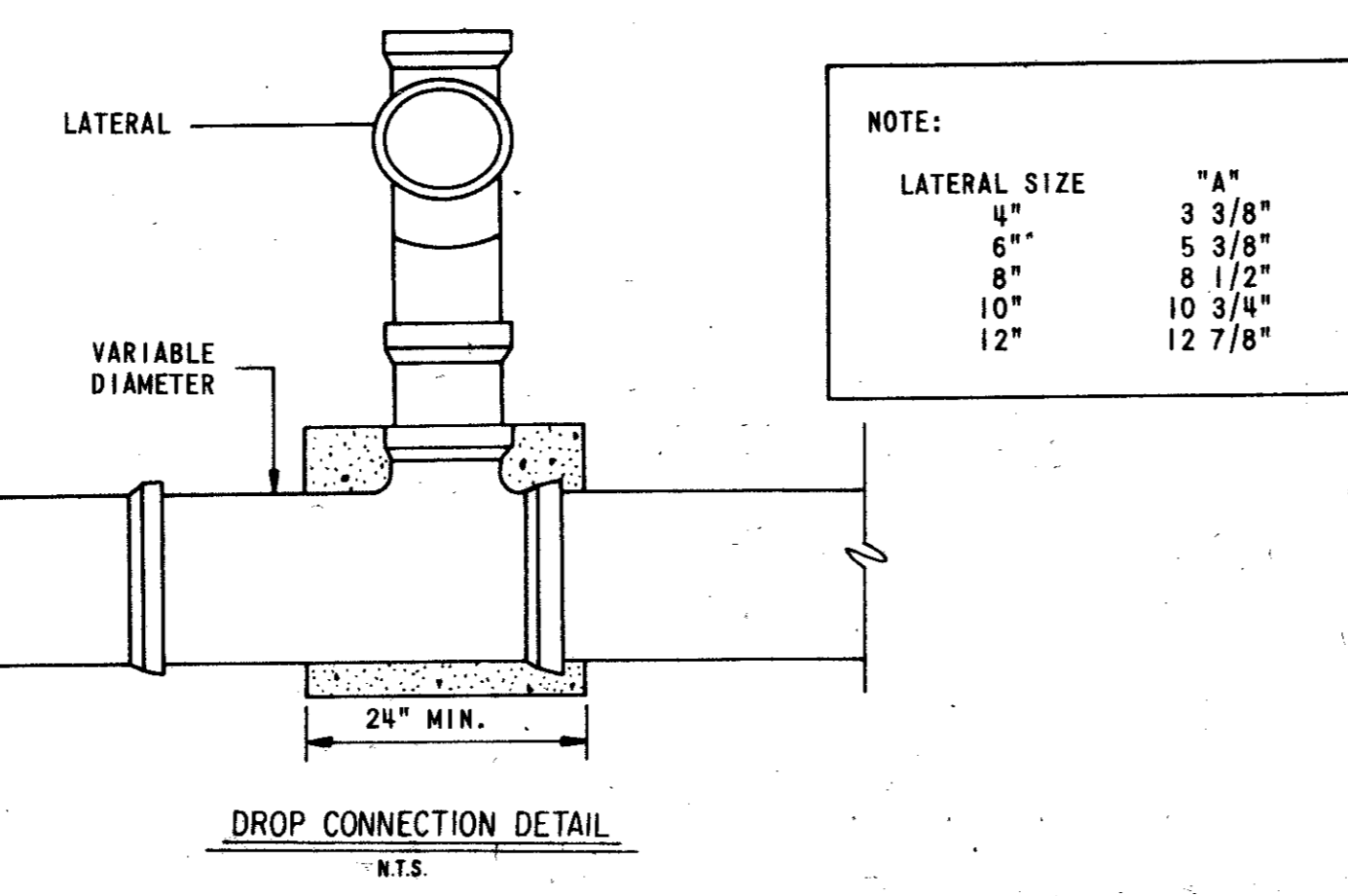
DETAIL OF CONCRETE COLLAR FOR STORM SEWER PIPE CONNECTIONS



KEYWAY WITH WATERSTOP



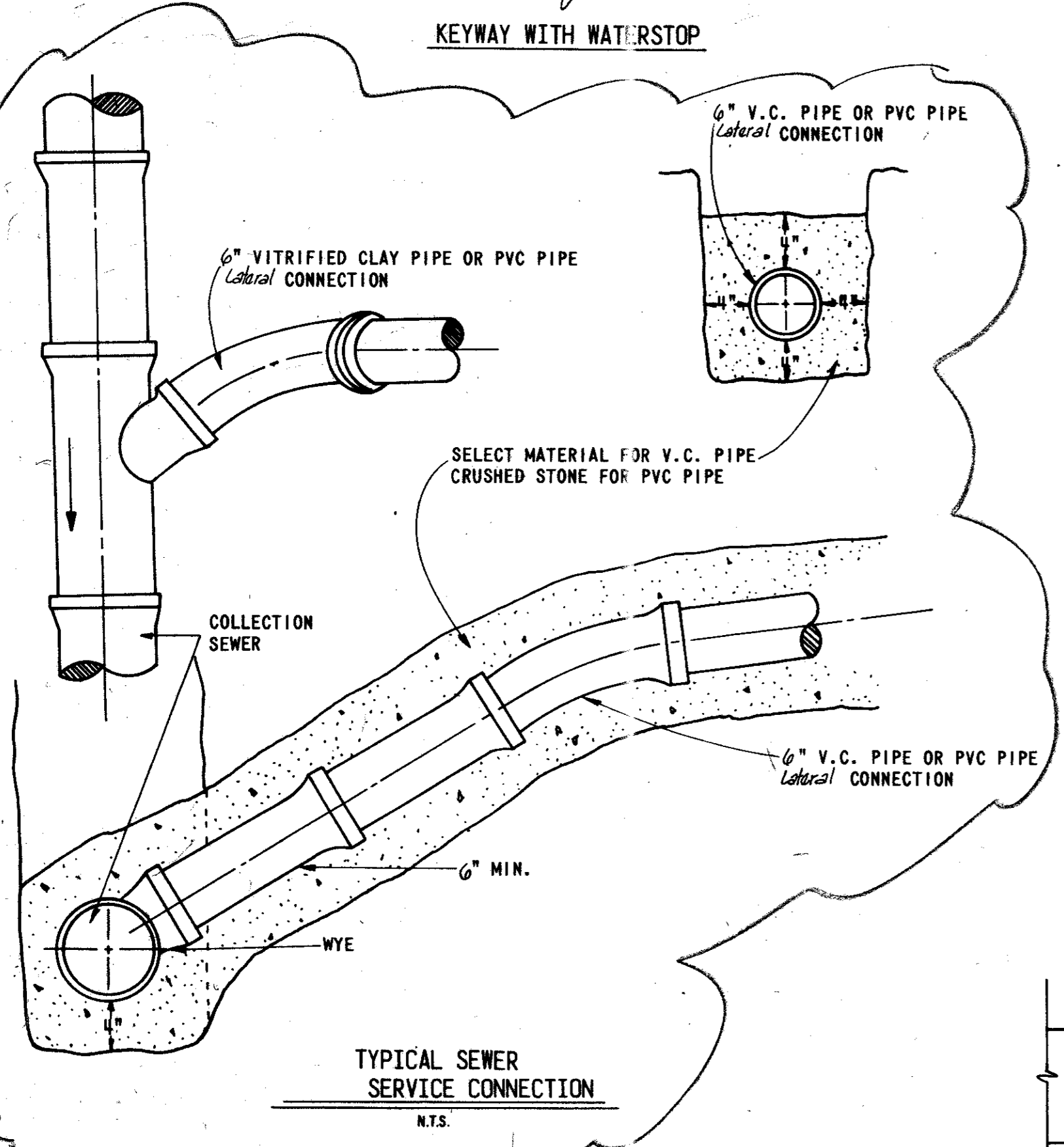
END ELEVATION



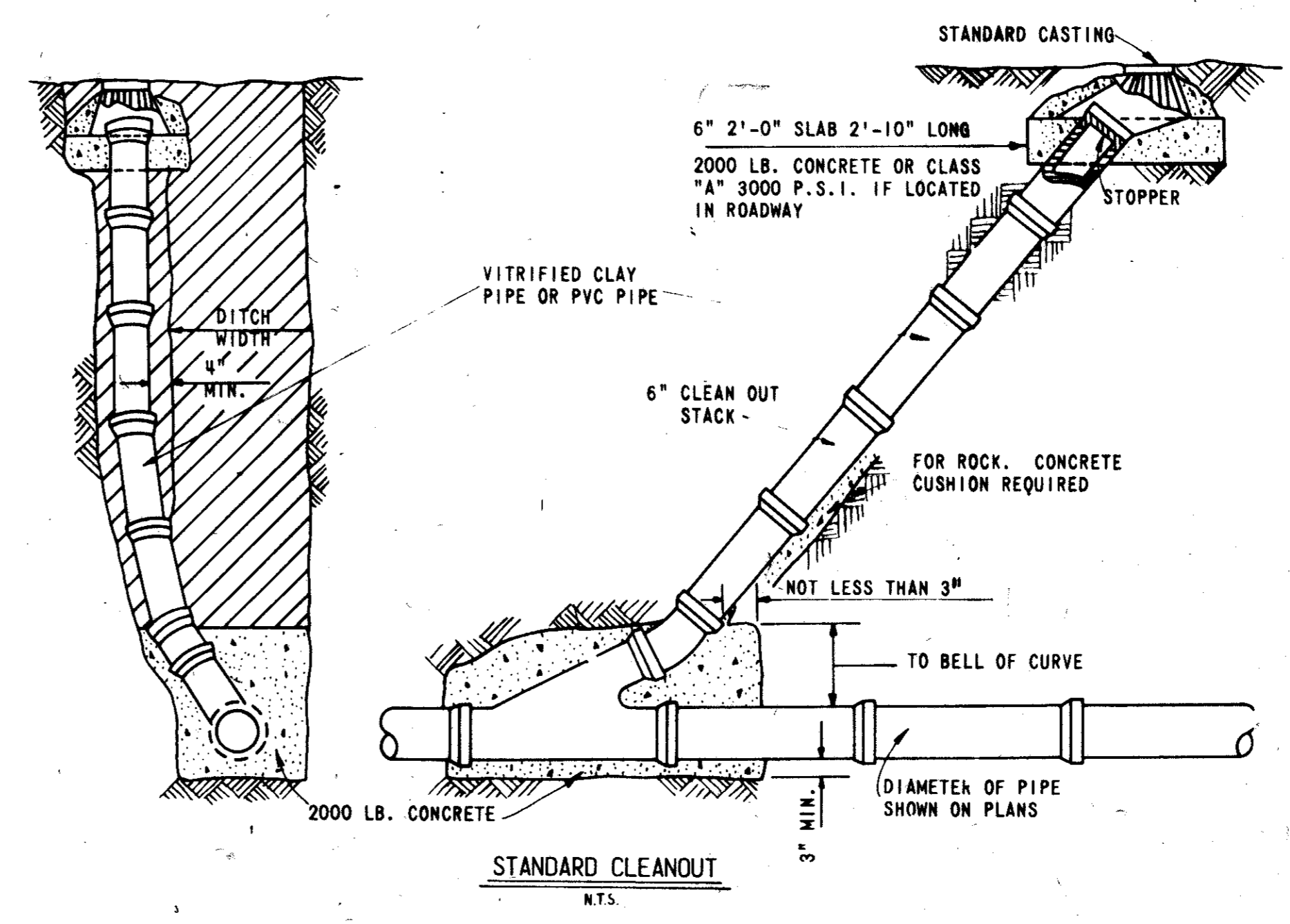
DROP CONNECTION DETAIL

NOTE:

LATERAL SIZE	"A"
4"	3 3/8"
6"	5 3/8"
8"	8 1/2"
10"	10 3/4"
12"	12 7/8"



TYPICAL SEWER SERVICE CONNECTION



STANDARD CLEANOUT

AS BUILT
DATE 8-16-82

Revised 4-9-82 - Addendum No 1

4
5

DETAILS						
QUORUM WEST						
CITY OF ADDISON, TEXAS						
RAYMOND L. GOODSON JR. INC., ENGINEERS						
DESIGN	DRAWN	DATE	SCALE	NOTES	FILE	NO.
RLG	INC.	March 1982	AS NOTED	RLG INC.	82-20	