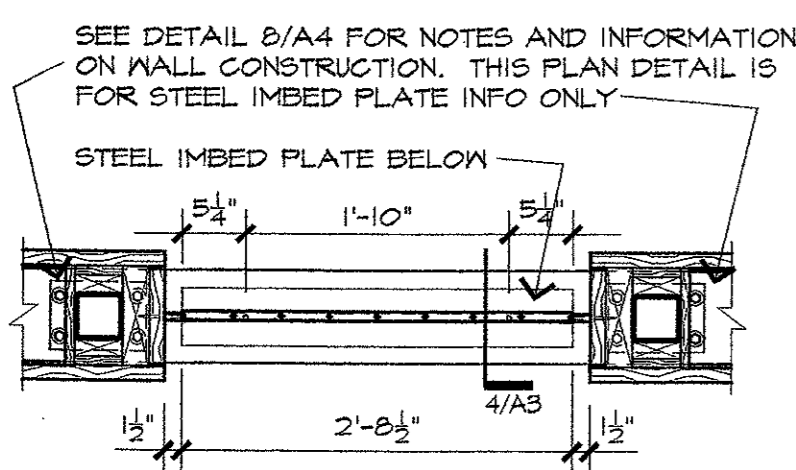
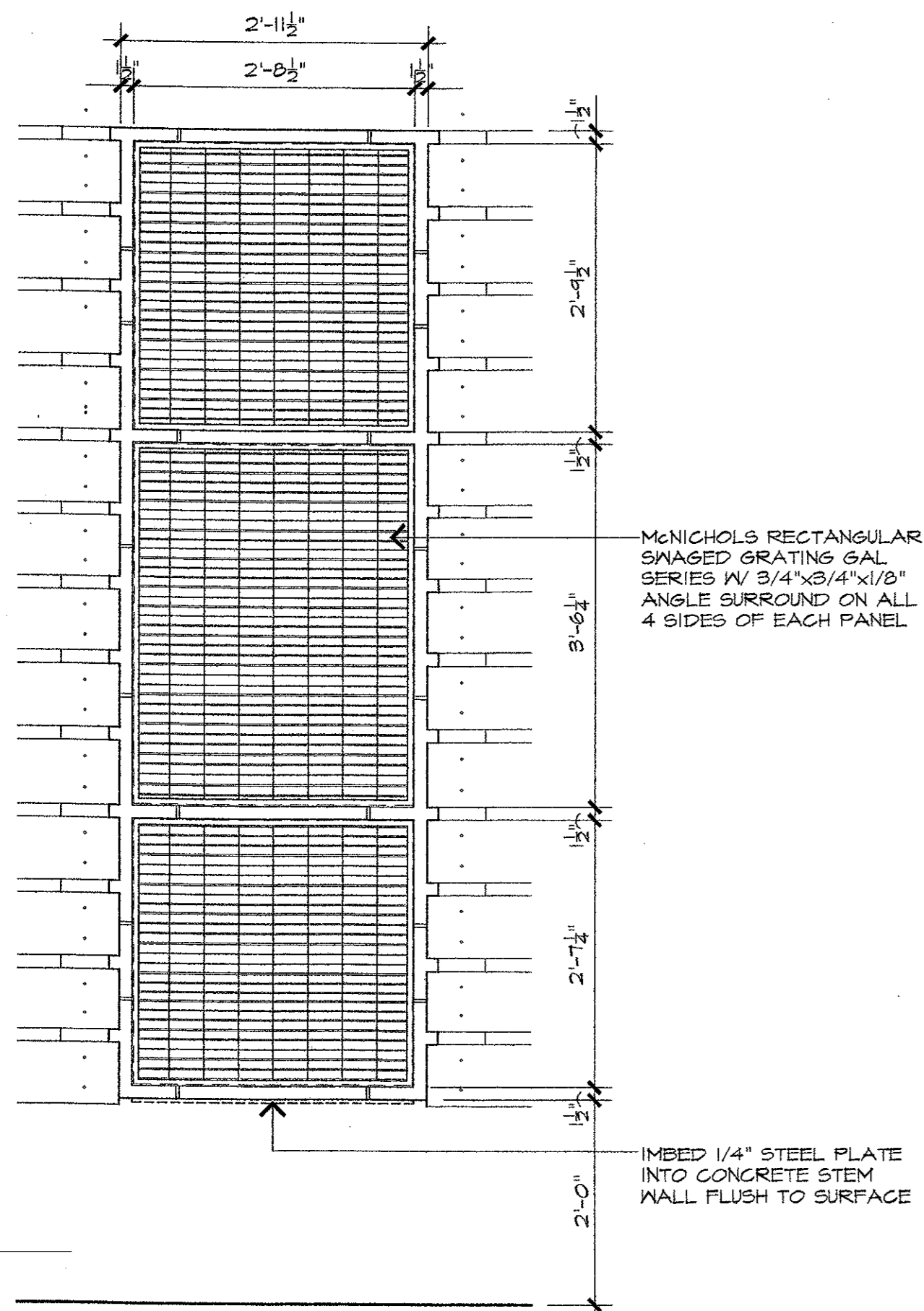


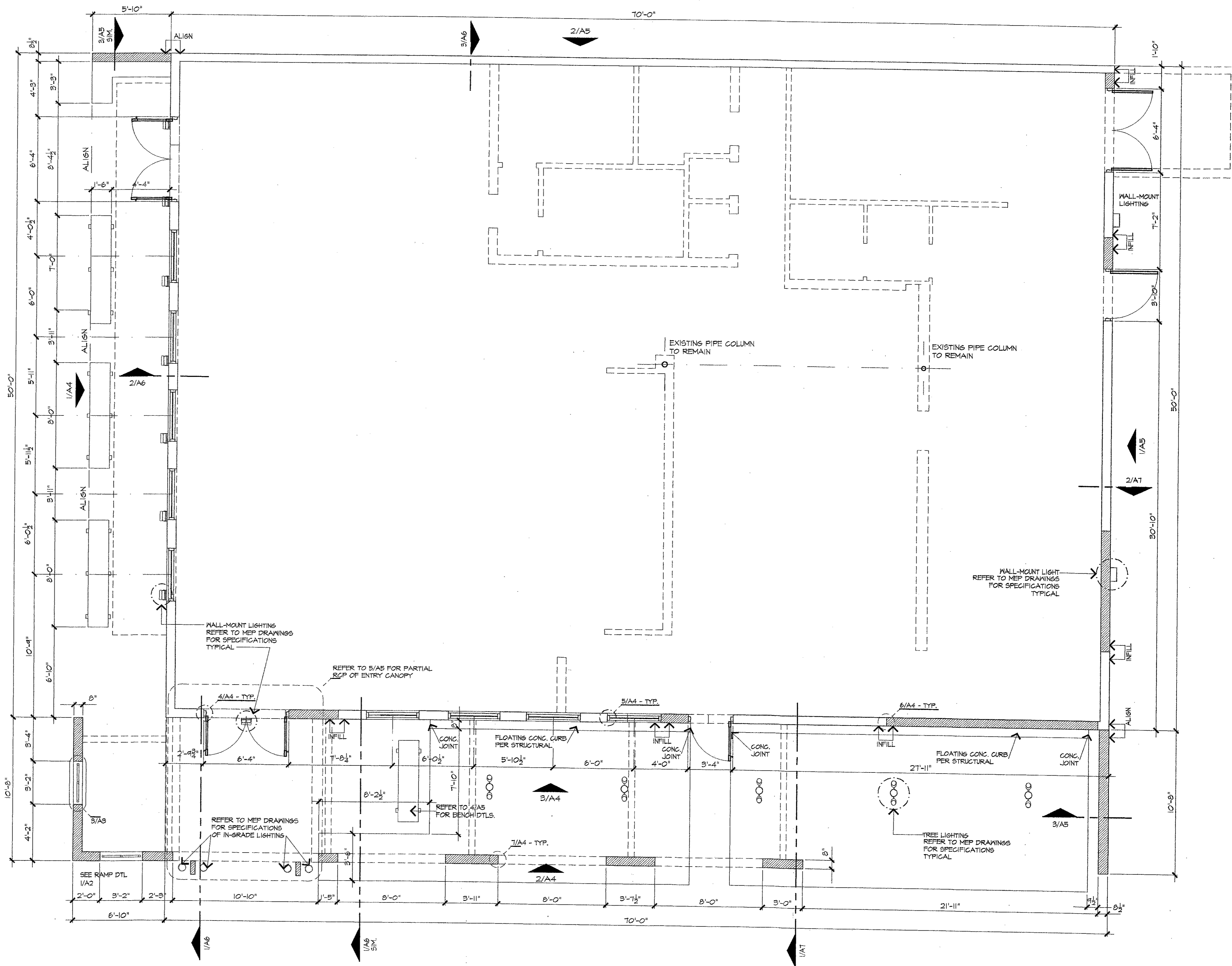
4 DETAIL @ SCREEN SILL
 SCALE: 3/4" = 1'-0"



3 SCREEN PLAN
 SCALE: 3/4" = 1'-0"

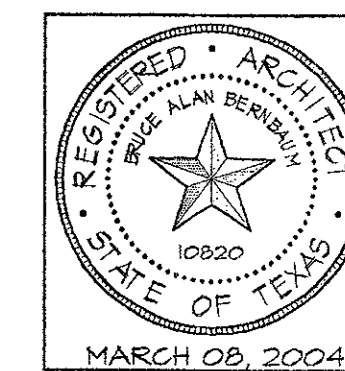


2 SCREEN ELEVATION
 SCALE: 3/4" = 1'-0"



1 FLOOR PLAN
 SCALE: 1/4" = 1'-0"

PEI WEI
 4801 BELTLINE ROAD
 ADDISON, TEXAS



BERNBAUM
 ASSOCIATES
 MAGADINI

4508 McKinney Avenue
 #100, Dallas, TX 75205
 Telephone 814.219.4388
 Fax 814.521.3288

REVISION
JOB NUMBER 03109
DATE 03.08.04
SHEET NUMBER