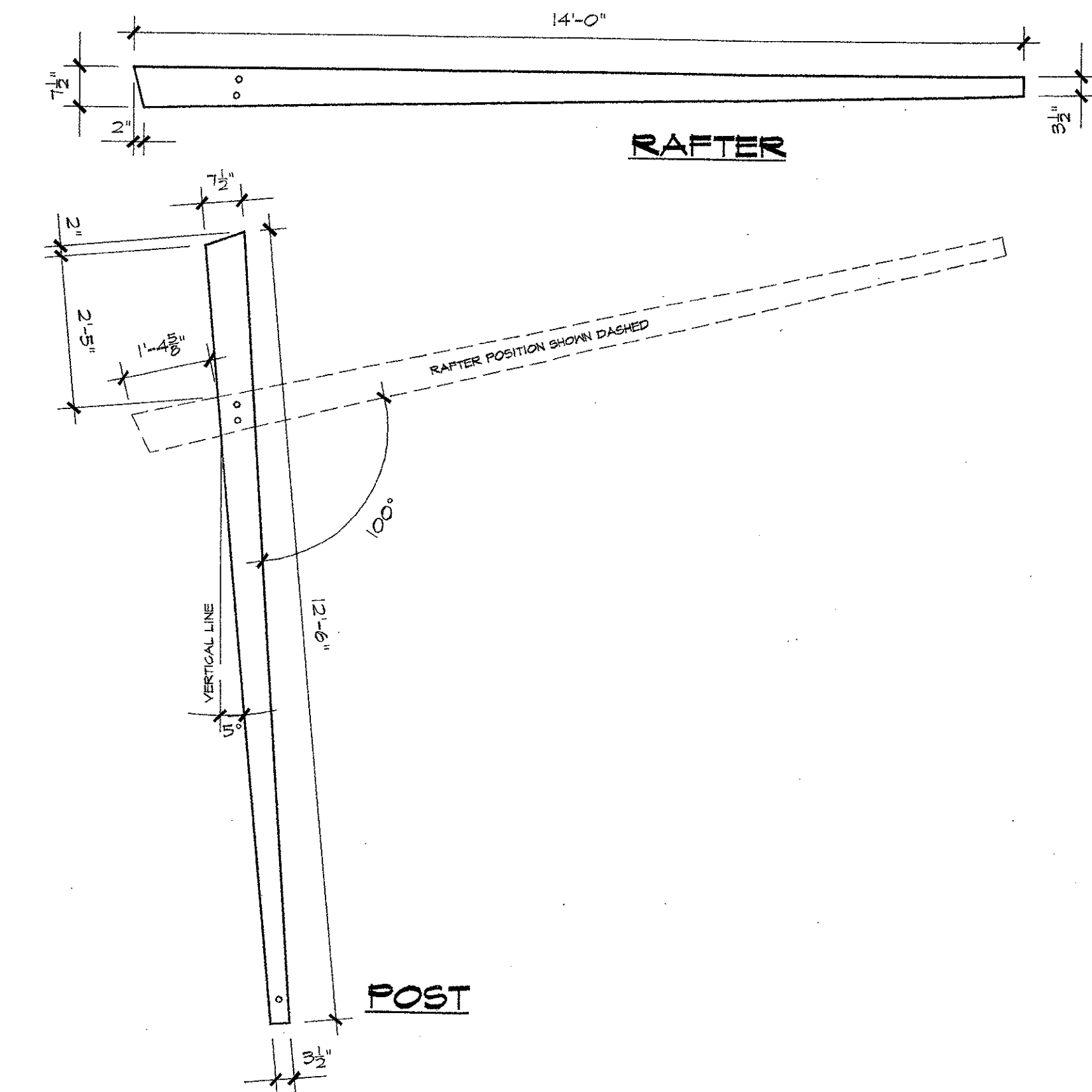
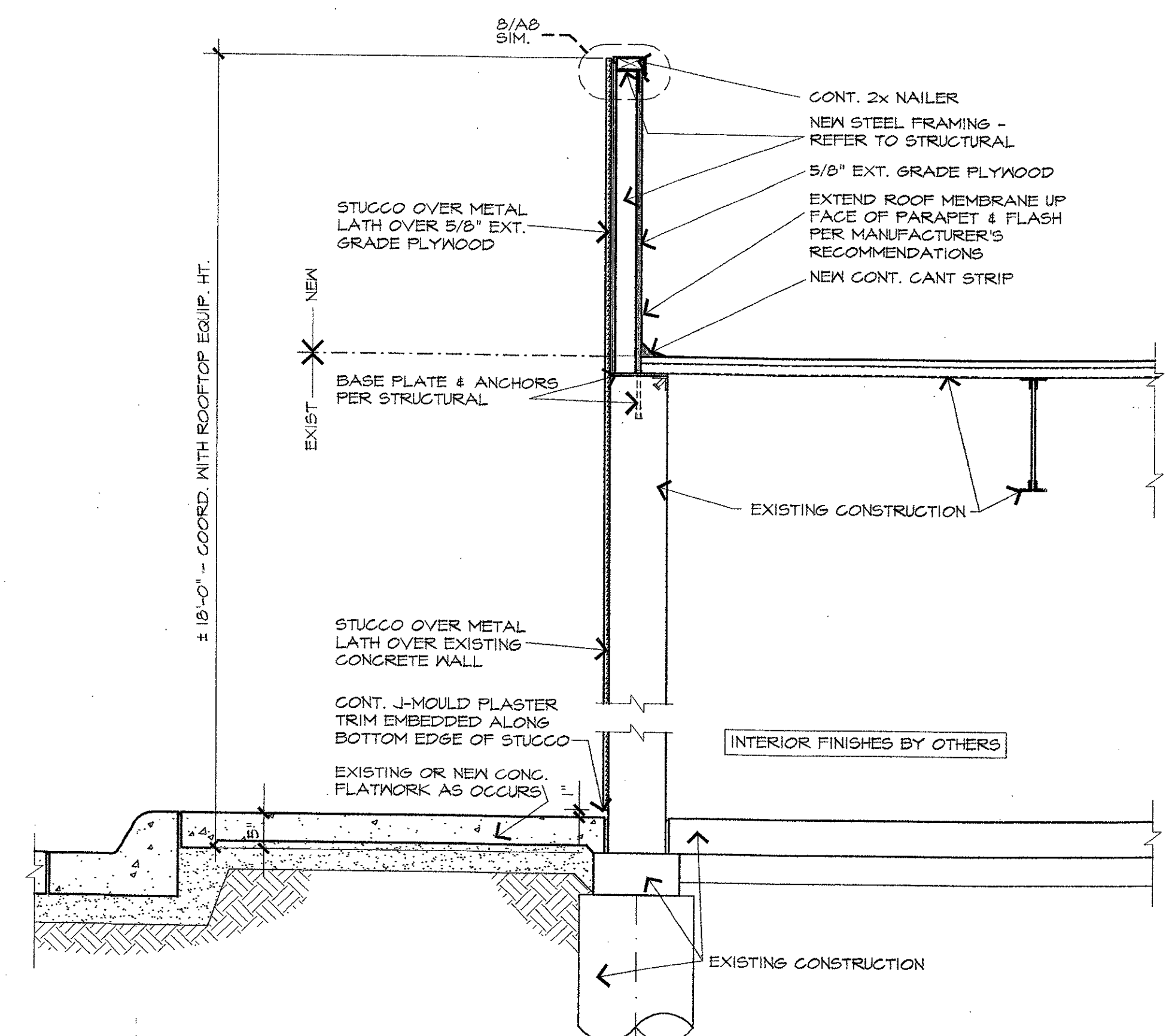


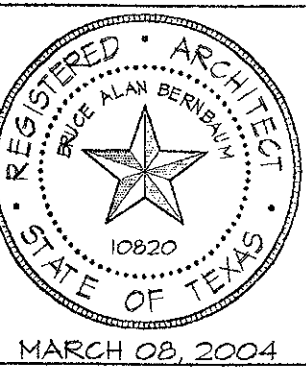
**1 WALL SECTION**  
SCALE: 3/4" = 1'-0"



**3 "CHOPSTICK" DIMENSIONS**  
SCALE: 1/2" = 1'-0"



**2 WALL SECTION**  
SCALE: 3/4" = 1'-0"



REVISION
JOB NUMBER 03109
DATE 03.08.04
SHEET NUMBER