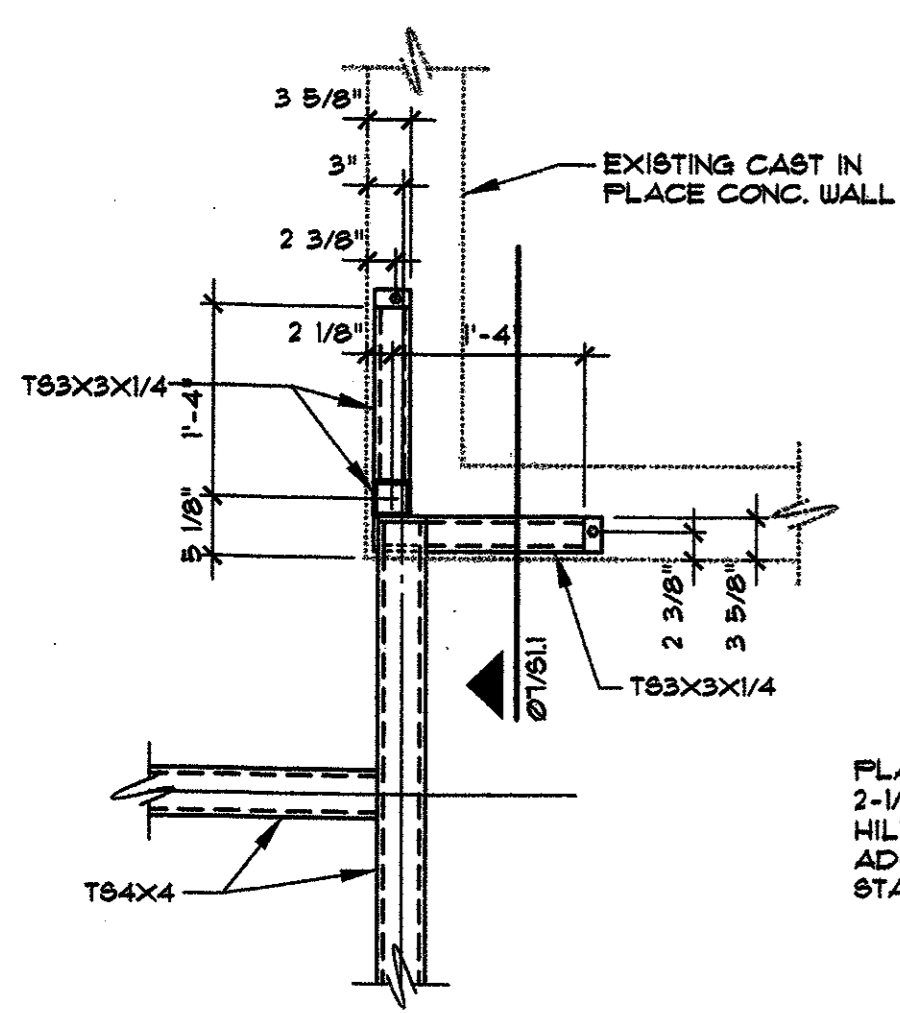
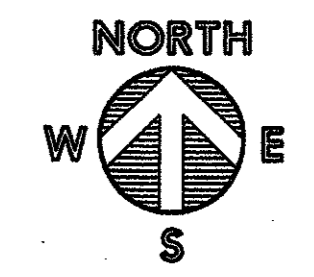
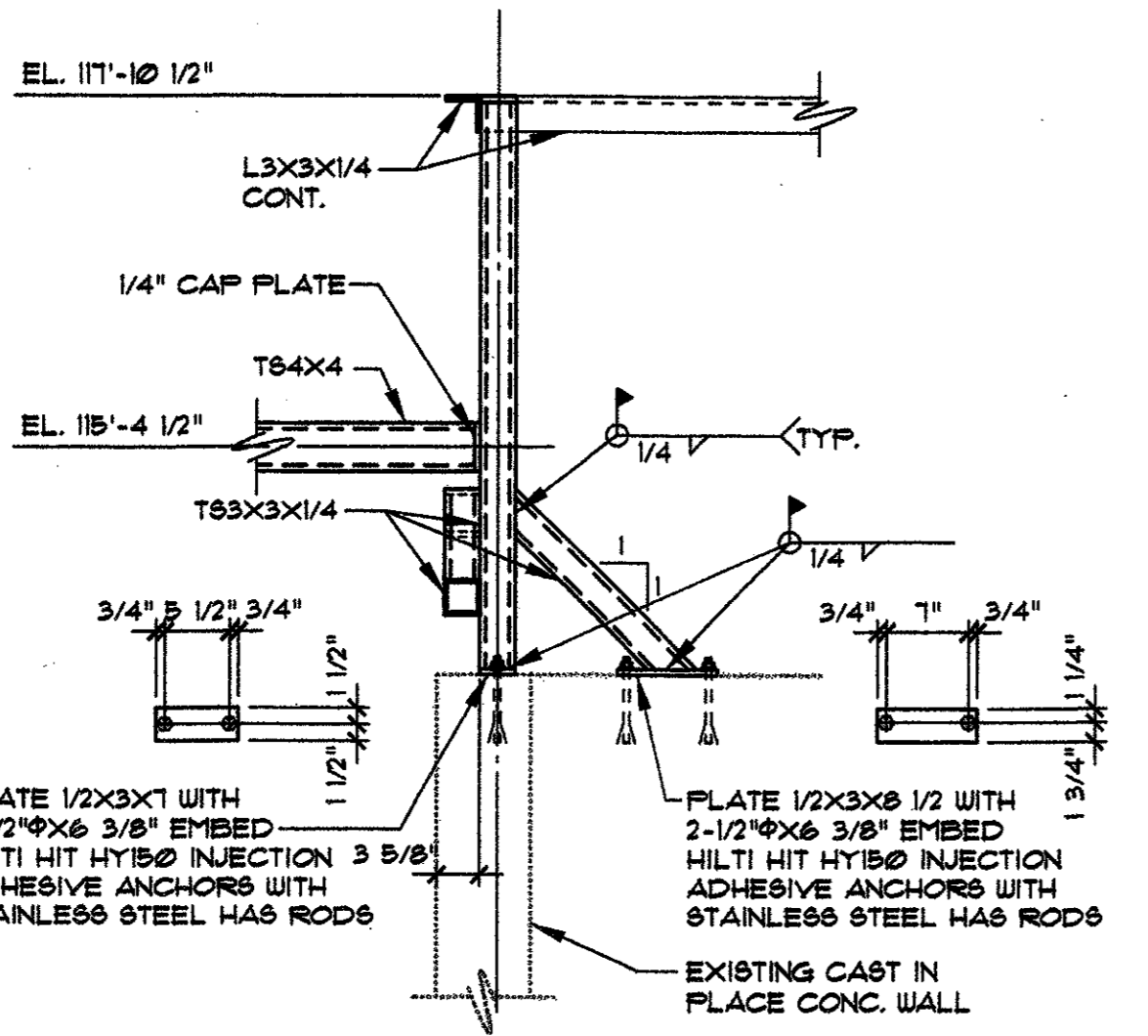


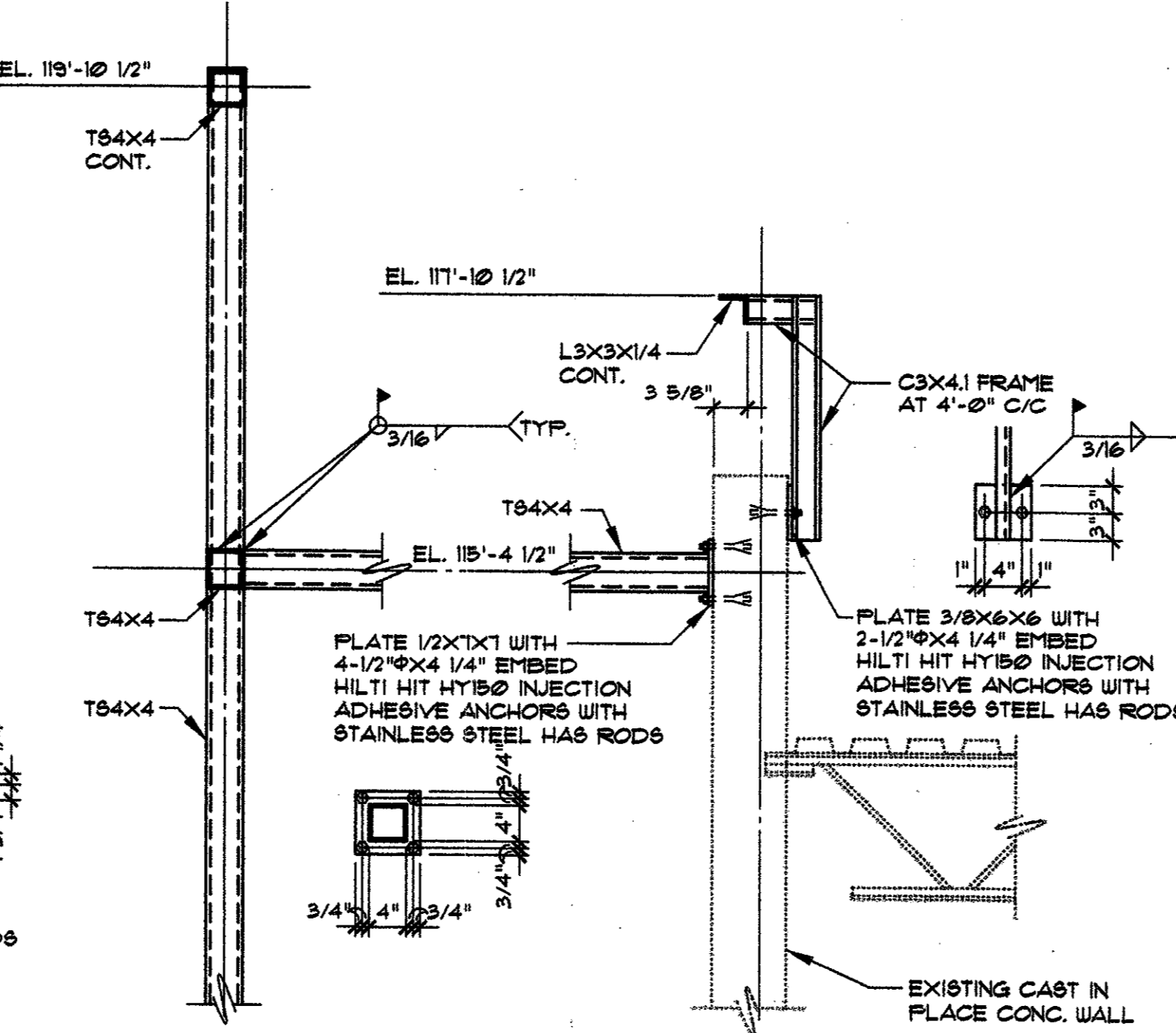
01 STEEL FRAMING PLAN
1/8"=1'-0"



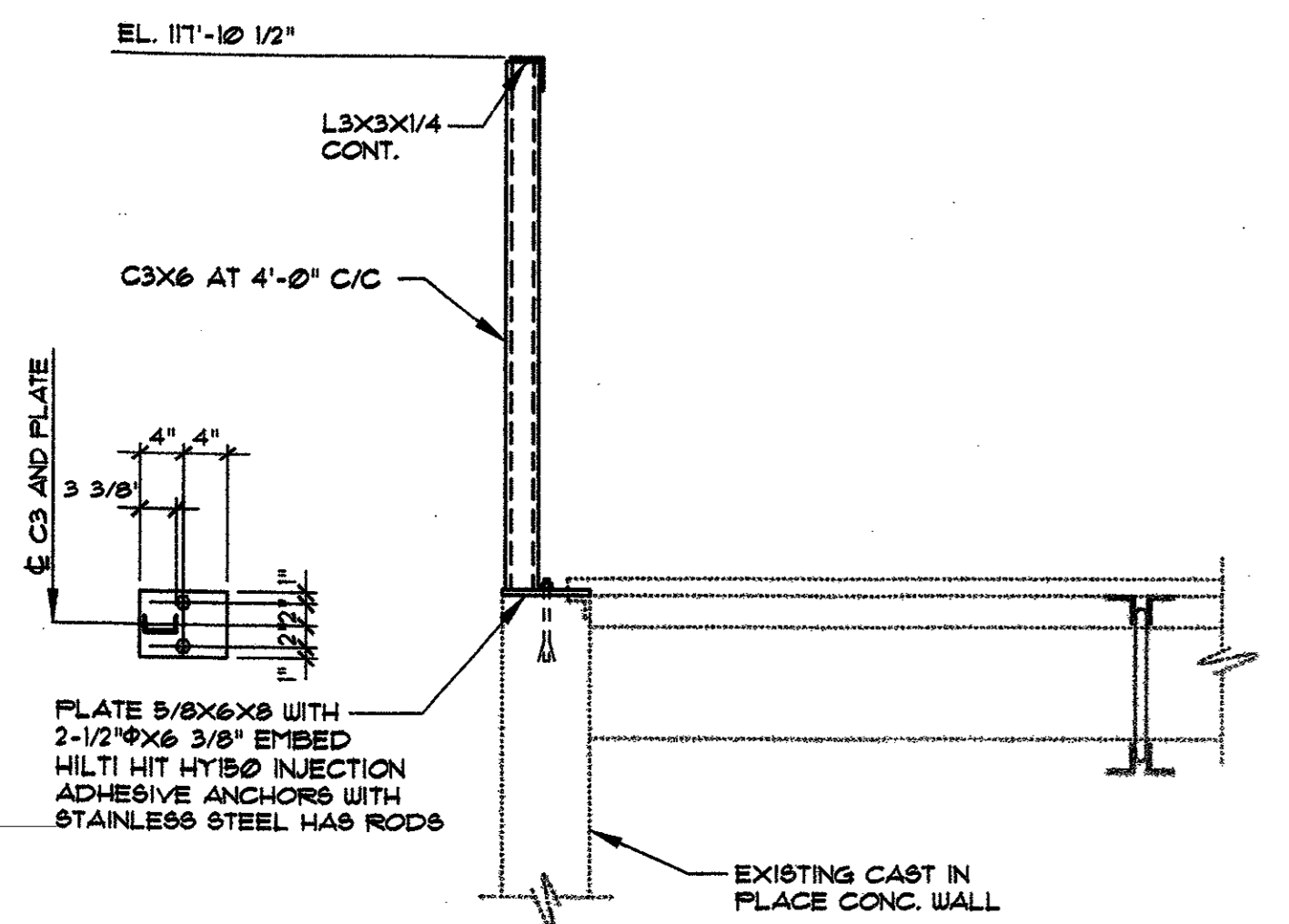
06 PLAN DETAIL
3/4"=1'-0"



07 SECTION
3/4"=1'-0"

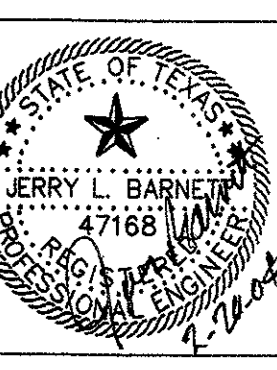


08 SECTION
3/4"=1'-0"



09 SECTION
3/4"=1'-0"

PEI WEI
4801 BELTLINE ROAD
ADDISON, TEXAS



BERNBAUM
MAGADINI

4808 McKinney Avenue
#168, Dallas, TX 75205
Telephone 214.519.4828
Fax 214.521.3886

REVISION
JOB NUMBER 03109
DATE 02.20.04
SHEET NUMBER S1.1

TMBP
CONSULTING ENGINEERS INC.
2301 N. AKARD ST., SUITE 405
DALLAS, TEXAS 75201
(214) 871-2302 (214) 871-8716 FAX