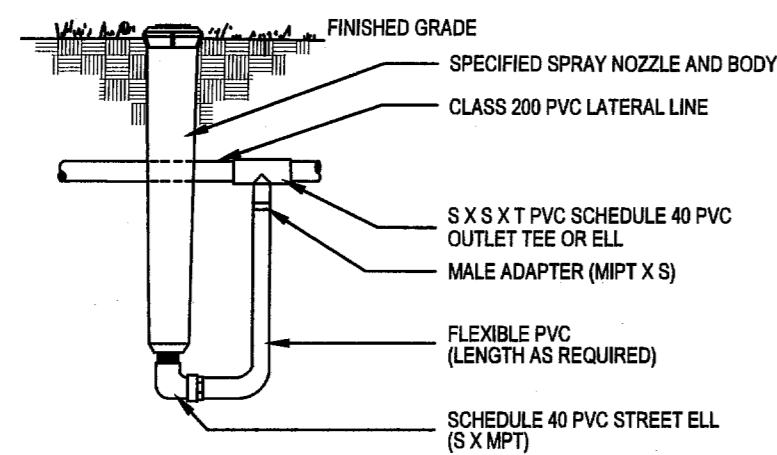
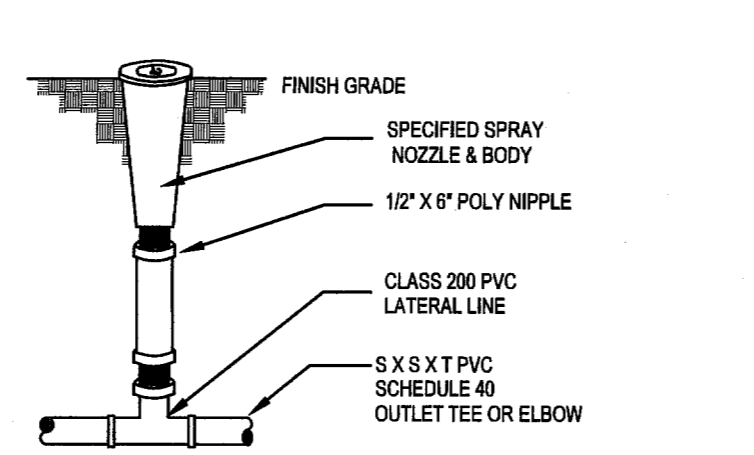


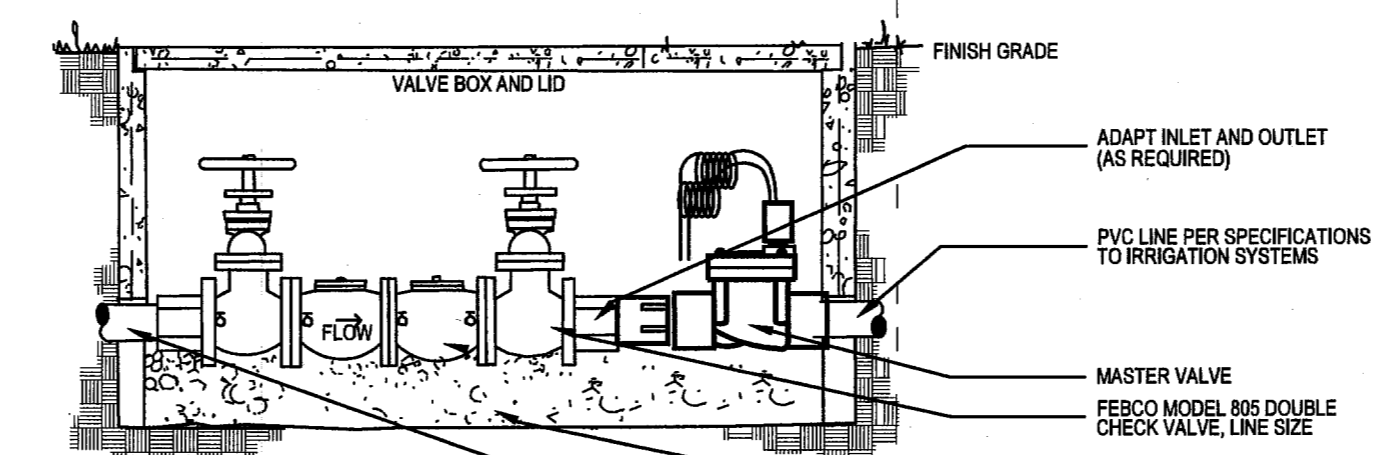
01 ROTARY HEAD NOT TO SCALE



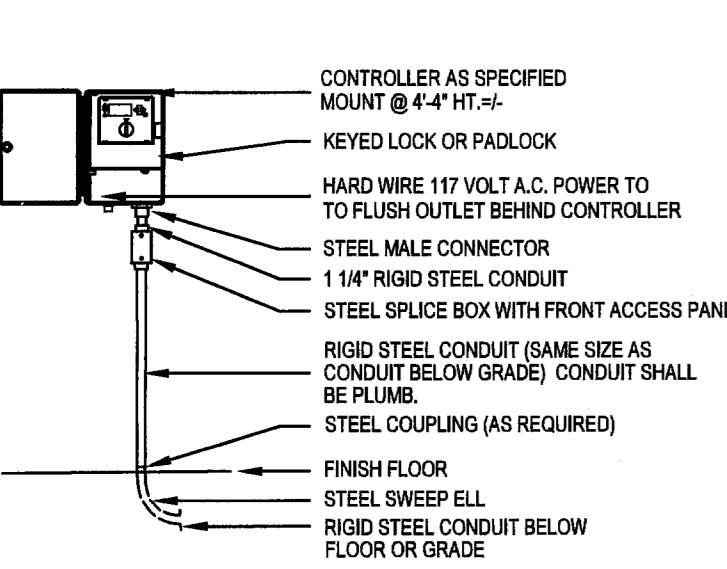
02 HIGH POP-UP SPRAY ASSEMBLY NOT TO SCALE



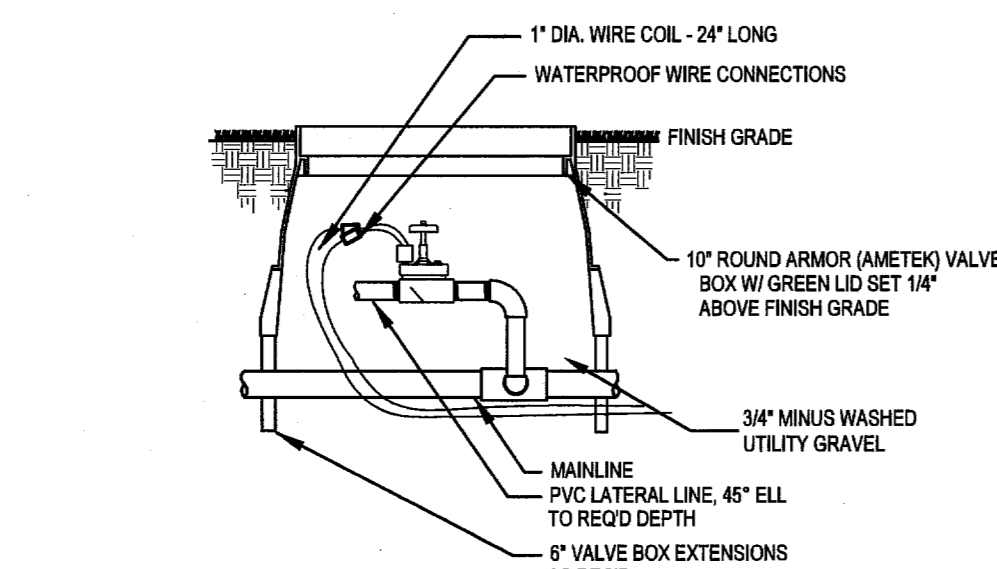
03 POP-UP LAWN SPRAY ASSEMBLY NOT TO SCALE



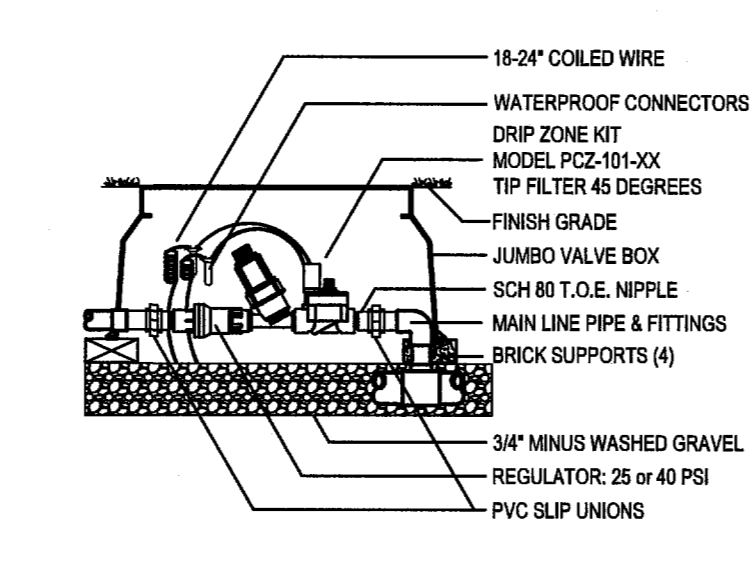
04 BACKFLOW PREVENTER NOT TO SCALE



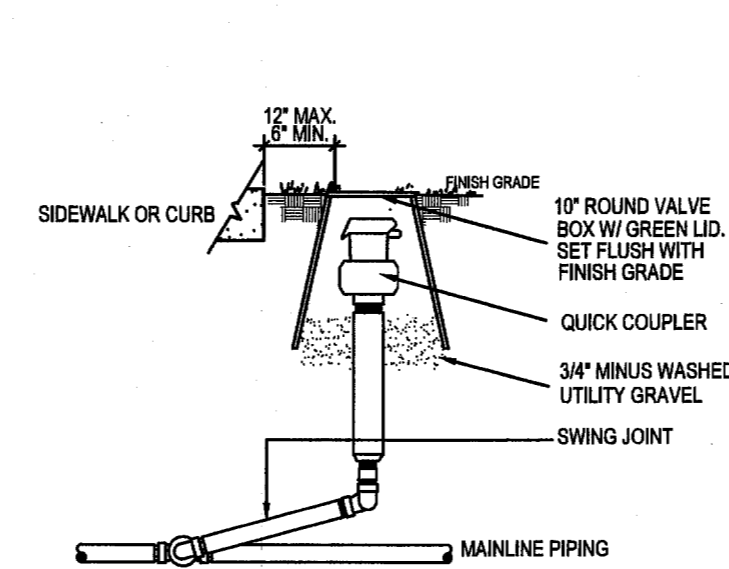
05 WALL MOUNTED CONTROLLER NOT TO SCALE



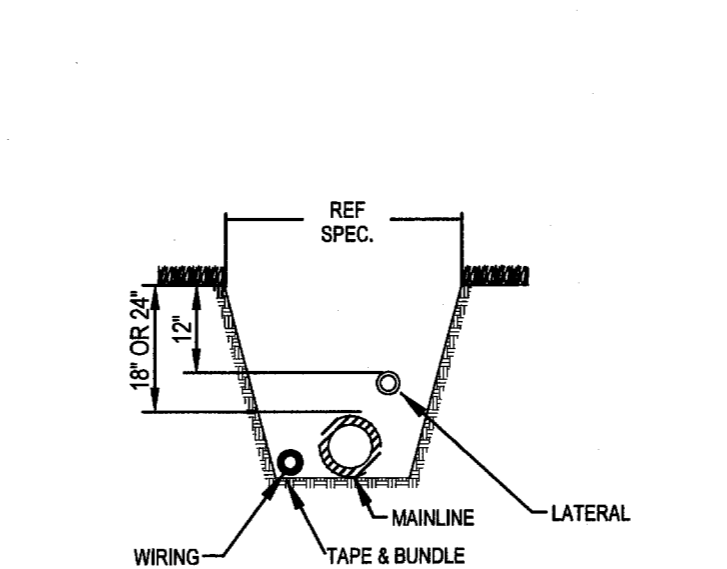
06 REMOTE CONTROL VALVE NOT TO SCALE



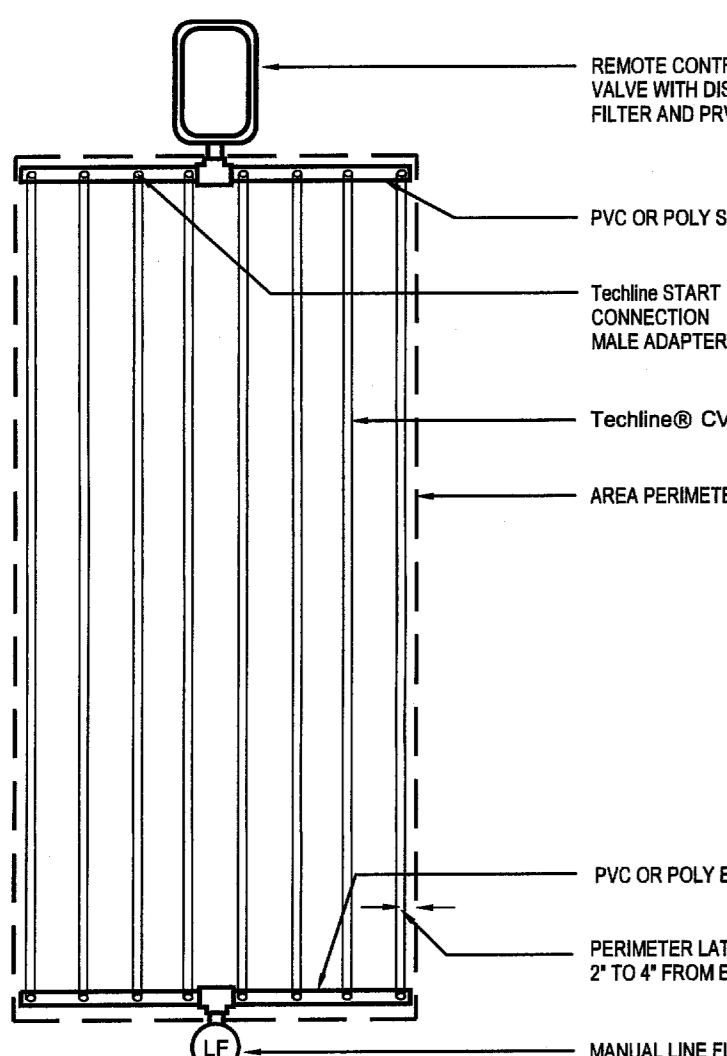
07 DRIP CONTROL VALVE NOT TO SCALE



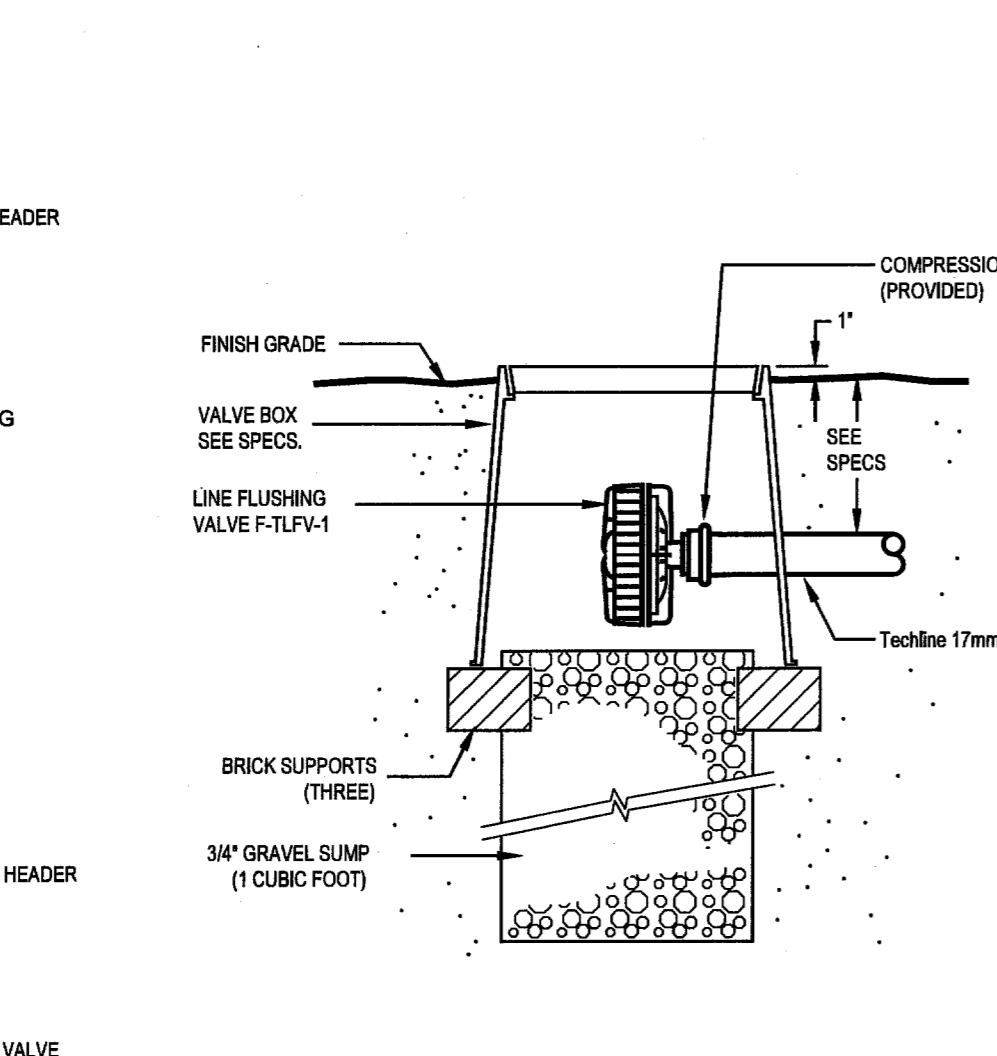
08 QUICK COUPLER NOT TO SCALE



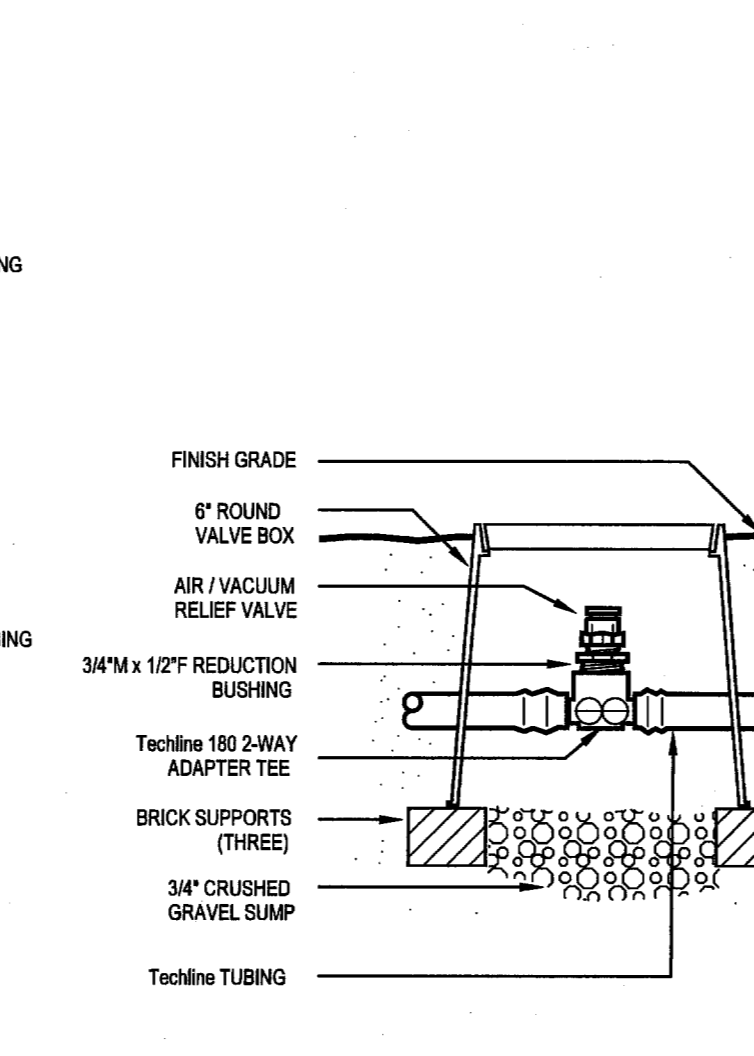
09 TRENCH DETAIL NOT TO SCALE



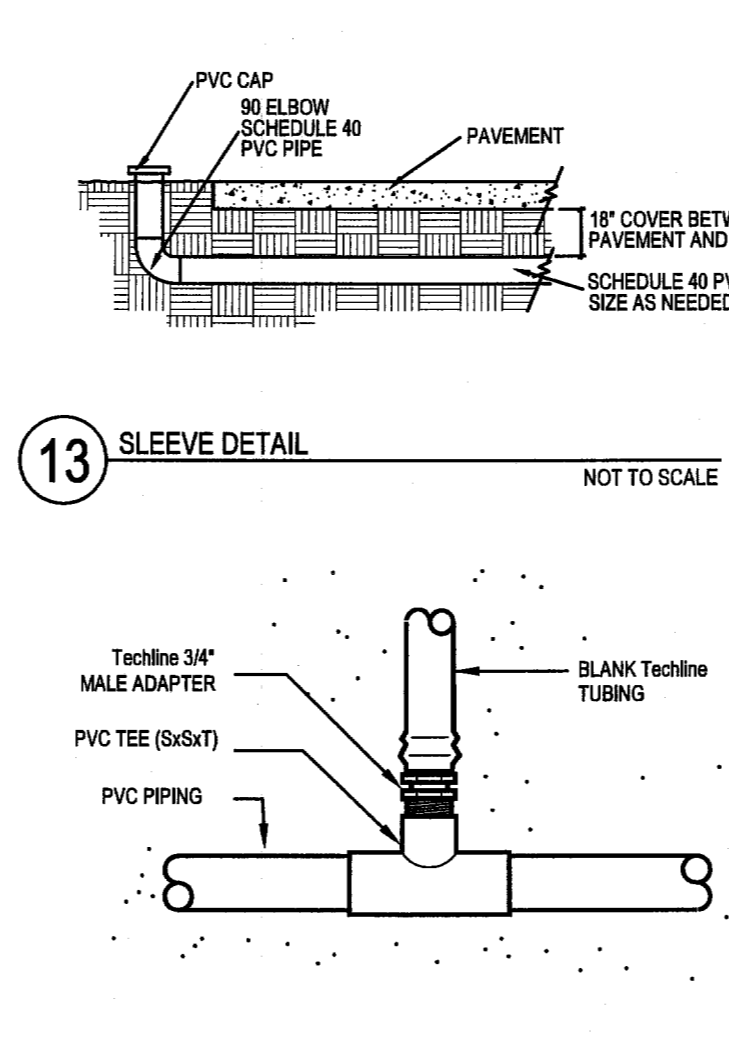
10 TechLine CV END FEED LAYOUT NOT TO SCALE



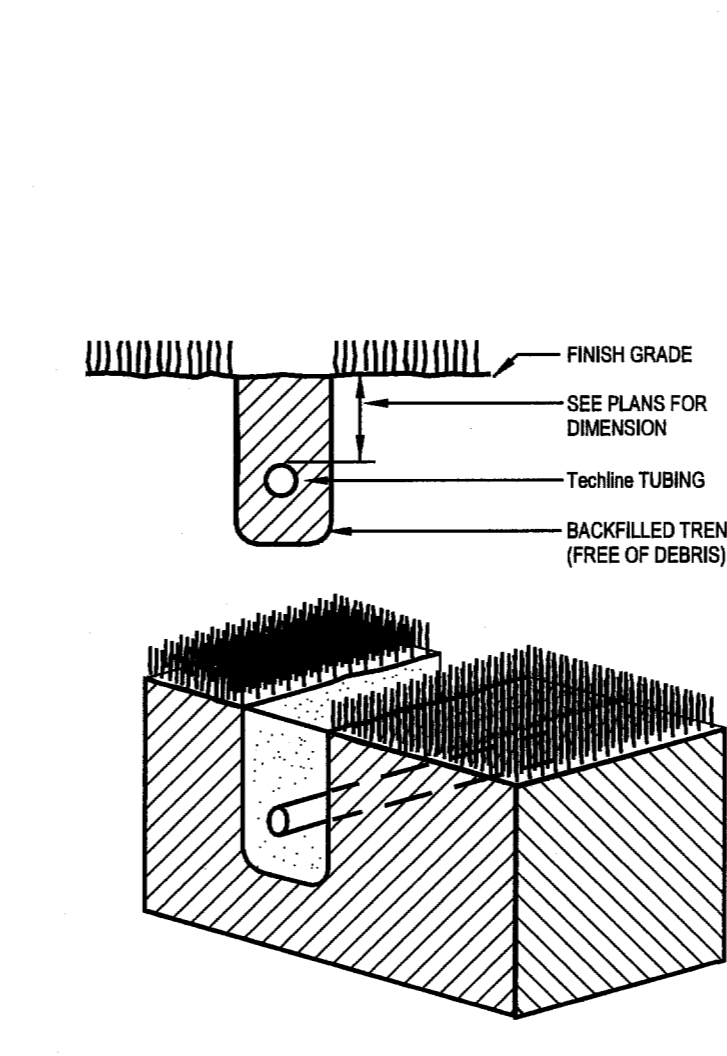
11 TechLine LINE FLUSHING VALVE NOT TO SCALE



12 TechLine AIR/VACUUM RELIEF NOT TO SCALE



13 SLEEVE DETAIL NOT TO SCALE



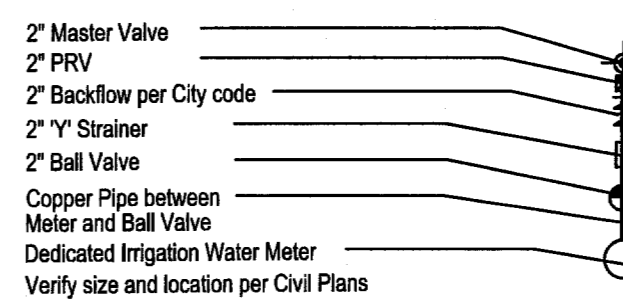
14 TechLine START CONNECTION NOT TO SCALE

SLEEVING NOTES

- Contractor shall lay sleeves and conduits at twenty-four (24) inches below finish grade of the top of pavement.
- Contractor shall extend sleeves one (1) foot beyond edge of all pavement.
- Contractor shall cap pipe ends using PVC caps.
- All sleeves shall be Schedule 40 PVC pipe.
- Contractor shall furnish Owner and Irrigation Contractor with an 'as-built' drawing showing all sleeve locations.

TCEQ 2009 NOTES

- All irrigation equipment to be located no closer than 4' to any pavement and / or structure
- Electrical splices at each valve and controller only.
- Irrigation in Texas is regulated by the Texas Commission on Environmental Quality (TCEQ) MC-178 / P.O. BOX 13087 Austin, Texas 78711-3087 www.tceq.state.tx.us



IRRIGATION NOTES

- All sprinkler equipment numbers reference the HUNTER equipment catalog unless otherwise indicated.
- LAWN SPRAY HEADS are SRS-04 installed as per detail shown.
- SHRUB SPRAY HEADS are SRS-12 installed as per detail shown.
- ELECTRIC CONTROL VALVES shall be HUNTER PGV-S SERIES installed per detail shown. Size valves as shown on plan. Valves shall be installed in valve boxes large enough to permit manual operation, removal of solenoid and/or valve cover without any earth excavation.
- QUICK COUPLING VALVES shall be HQ-44-LRC-AW installed per detail shown. Swing joints shall be constructed using 1" Schedule 80 elbows. Contractor shall supply owner with three (3) HK couplers and three (3) #10 swivel hose ends as part of this contract.
- AUTOMATIC CONTROLLER shall be installed at location shown. Power (120V) shall be located in a junction box within five (5) feet of controller location by other trades.
- All 24 volt valve wiring is to be UF 14 single conductor. All wire splices are to be permanent and waterproof.
- SLEEVES shall be installed by General Contractor. Sleeve material shall be Schedule 40. Size as indicated on plan.
- Ten days prior to start of construction, Landscape or Irrigation Contractor shall verify static water pressure. If static pressure is less than 65 P.S.I., do not work until notified to do so by Owner.
- All main line and lateral piping to a minimum of 12 inches of cover. All piping under paving shall have a minimum of 18" of cover.
- The Irrigation Contractor shall coordinate installation of the system with the Landscape Contractor so that all plant material will be watered in accordance with the intent of the plans and specifications.
- The Irrigation Contractor shall select the proper arc and radius for each nozzle to insure 100% and proper coverage of all lawn areas and plant material. All nozzles in parking lot islands and planting beds shall be low angle to minimize over spray on pavement surfaces. No water will be allowed to spray on building.

DRIP IRRIGATION NOTES

- Drip Irrigation Equipment numbers reference Rainbird Equipment Catalog unless otherwise noted.
- Landscape Contractor shall be required to supply Owner's Construction Manager with all equipment specifications and maintenance guidelines.
- Landscape Contractor shall be required to follow Manufacturer's Specifications and Installation guidelines for drip system.
- PRESSURE COMPENSATING EMITTERS shall be: Multioutlet Rain Bug EM5-M101, Multi outlet Shrub Bug EM19-M101 or approved equal. (1 PER EVERY 6 - 4" POTS)
- SINGLE OUTLET PRESSURE COMPENSATING EMITTERS shall be: Rain Bug Emitters EM-Mo5, -M10, -M20 and Shrub Bug Emitters EM-M10, -M20 or approved equal. (1 PER EACH 1 OR 5 GAL PLANT)
- DRIP PRESSURE REGULATORS shall be: PSI-HLA-15, PSI-HLA-20, PSI-HMB-20, PSI-HMB-25 or approved equal.
- Y-FILTERS shall be: RBY-075-200, RBY-100-200 or approved equal.
- MAIN IRRIGATION TUBING shall be: RBT-150P, RBT-160V or approved equal.
- EMITTER DISTRIBUTION TUBING shall be: RBT-150P, RBT-160V or approved equal.
- SUBTERRANEAN EMITTER BOX shall be: SEB-6 or approved equal.
- Drip system piping only occurs within shrub / groundcover beds and rock mulch areas. Piping shall be a maximum 4' depth and a minimum 2' depth.
- Contractor shall verify that all drip system valves and spray system valves are sectioned separately on controller.

BUBBLER PIPING CHART

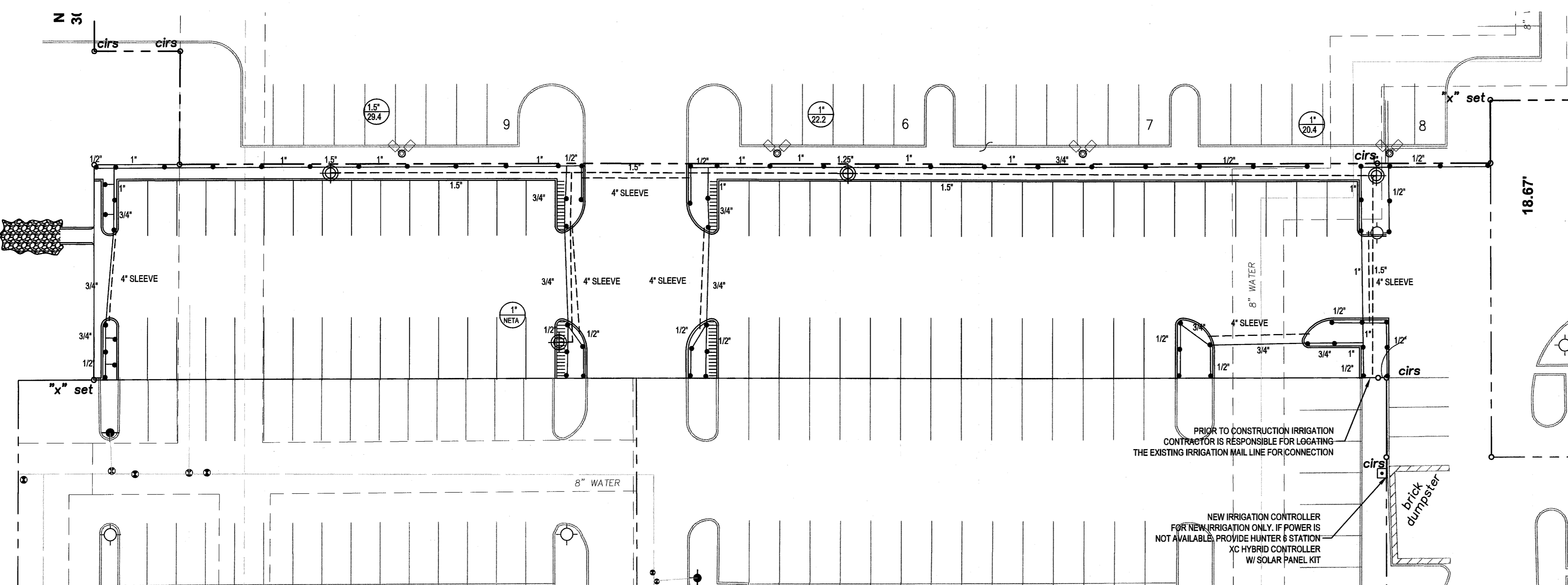
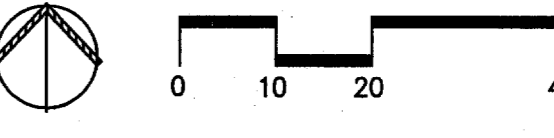
1-5 BUBBLERS - 1/2" PIPE
6-10 BUBBLERS - 3/4" PIPE
11-20 BUBBLERS - 1" PIPE
21-30 BUBBLERS - 1 1/4" PIPE
31-40 BUBBLERS - 1 1/2" PIPE

IRRIGATION LEGEND

- Hunter SRS-04 4" Pop-up Spray Head with a Plastic MPR Nozzle
- Hunter SRS-12 12" Pop-up Spray Head with a Plastic MPR Nozzle
- Hunter PGL-04 Rotors for spacing under 30'
- Hunter PGP-04 Rotors for spacing over 30'
- Multi-Stream Bubbler Nozzle on Hunter SRS-06 Pop-up Spray head
- Turf-Hunter PGV-S series Control Valves
- Drip-Hunter PCZ-101-40 Drip Zone Control Kit with Valve, Basket Filter, and Pressure Regulator
- Hunter XC series Controller with Hunter Rain and Freeze Sensor
- WATER METER, SIZE AS INDICATED
- D.C.A., SIZE AS INDICATED
- to Include Wye Strainer, Isolation Valve, Master Valve, and Pressure Regulator
- PVC CLASS 200 LATERAL LINE
- PVC CLASS 200 MAINLINE
- PVC SCHEDULE 40 SLEEVING
- VALVE SIZE GPM
- NETAFIM TECHLINE#TLDL6-1210 (18" LATERAL SPACING, 12" EMITTER SPACING)
- PVC LATERAL PIPING SIZED AS REQUIRED
- INSTALL ALL EQUIPMENT ACCORDING TO MANUFACTURERS SPECIFICATIONS
- NETAFIM DISC FILTER #DF100-080
- NETAFIM PRESSURE REGULATOR #PRV15025
- INSTALL ALL EQUIPMENT ACCORDING TO MANUFACTURERS SPECIFICATIONS

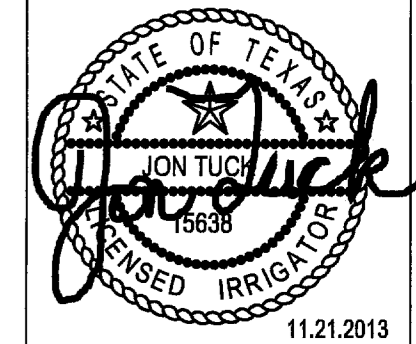
01 IRRIGATION PLAN

SCALE: 1" = 20'-0"



smr
landscape architects, inc.
1708 N. Griffin Street Dallas, Texas 75202
Tel 214.871.0083 Fax 214.871.0545
Email smr@smr-la.com

PARKING LOT ADDITION
ADDISON, TEXAS



Issue For:

- Design Development
- Progress
- Bidding
- Permit
- Construction

Original Issue Date: 07.31.2013

Sheet Description:
IRRIGATION PLAN

Drawn By: J.W.T.

Checked By: C.M.T.

Current Date: 11.21.13

Drawing #

L.2