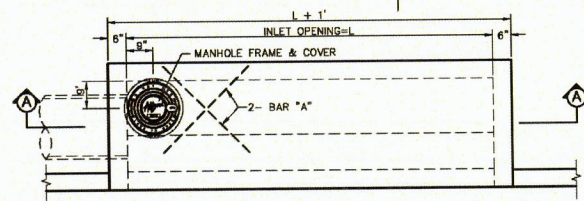
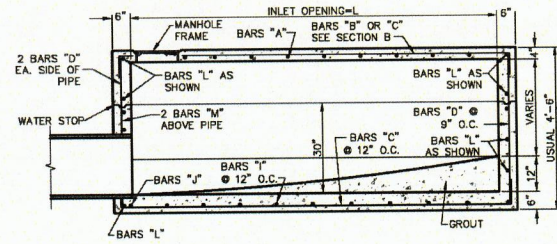


NOTE: REINFORCEMENT SHOWN IS ADDITIONAL FOR SPECIAL CONDITION, FOR REMAINDER OF REINFORCEMENT SEE SECTIONS.



PLAN-STANDARD INLET
NTS

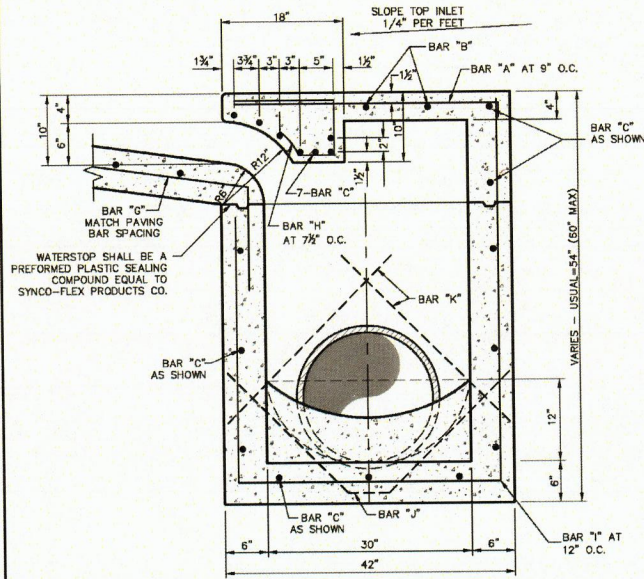


SECTION A
NTS

Addison!
PUBLIC WORKS DEPARTMENT

STANDARD CURB INLET 4, 6, 8 & 10 FOOT INLETS

STANDARD CONSTRUCTION DETAILS
STORM DRAINAGE
DATE: AUGUST, 2010 REV DATE: SHEET: 30-D12



SECTION "B"
NTS

Addison!
PUBLIC WORKS DEPARTMENT

TYPICAL SECTION "B" STANDARD & RECESSED CURB INLETS (4, 6, 8 & 10 FOOT INLETS)

STANDARD CONSTRUCTION DETAILS
STORM DRAINAGE
DATE: AUGUST, 2010 REV DATE: SHEET: 30-D13

REINFORCING STEEL SCHEDULE
DIMENSIONS SHOWN ARE FOR MAXIMUM SIZE INLET

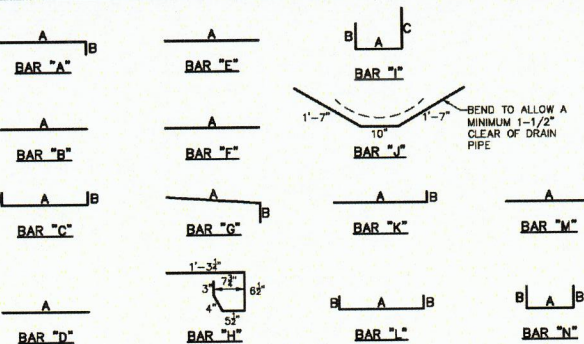
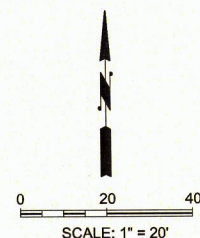
INLET LENGTH	BAR TYPE	BAR DIA (IN)	NO REQ'D	BAR DIMENSIONS		
				A	B	C
4'	A	3	8	3'-2"	0'-5"	-
	B	3	2	2'-10"	-	-
	C	4	18	4'-6"	0'-6"	-
	D	4	9	4'-3"	-	-
	G	3	4	2'-0"	1'-3"	-
	H	3	7	-	-	-
	I	4	3	3'-2"	3'-2"	4'-8"
	J	5	1	-	-	-
	K	5	2	3'-2"	0'-6"	-
	L	6	11	3'-2"	0'-6"	-
	M	4	2	3'-0"	-	-
6'	A	3	9	3'-2"	0'-3"	-
	B	3	2	4'-10"	-	-
	C	4	18	6'-5"	0'-6"	-
	D	4	9	4'-6"	-	-
	G	3	8	2'-0"	1'-3"	-
	H	3	11	-	-	-
	I	4	5	3'-2"	3'-2"	4'-8"
	J	5	1	-	-	-
	K	5	2	3'-2"	0'-6"	-
	L	6	11	3'-2"	0'-6"	-
	M	4	2	3'-0"	-	-
8'	A	3	12	3'-2"	0'-3"	-
	B	3	2	6'-10"	-	-
	C	4	18	8'-8"	0'-6"	-
	D	4	9	4'-6"	-	-
	G	3	7	2'-0"	1'-3"	-
	H	3	14	-	-	-
	I	4	7	3'-2"	3'-2"	4'-8"
	J	5	1	-	-	-
	K	5	2	3'-2"	0'-6"	-
	L	6	11	3'-2"	0'-6"	-
	M	4	2	3'-0"	-	-
10'	A	3	15	3'-2"	0'-3"	-
	B	3	2	8'-10"	-	-
	C	4	18	10'-8"	0'-6"	-
	D	4	9	4'-6"	-	-
	G	3	9	2'-0"	1'-3"	-
	H	3	17	-	-	-
	I	4	9	3'-2"	3'-2"	4'-8"
	J	5	1	-	-	-
	K	5	2	3'-2"	0'-6"	-
	L	6	11	3'-2"	0'-6"	-
	M	4	2	3'-0"	-	-

* SEE DIAGRAM FOR DIMENSIONS
** FIELD CUT AS REQUIRED TO ACCOMMODATE DRAIN PIPE

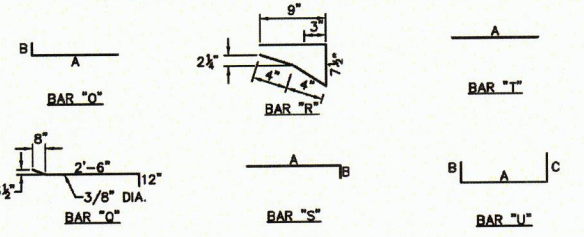
Addison!
PUBLIC WORKS DEPARTMENT

REINFORCING STEEL SCHEDULE 4, 6, 8 & 10 FOOT INLETS

STANDARD CONSTRUCTION DETAILS
STORM DRAINAGE
DATE: AUGUST, 2010 REV DATE: SHEET: 30-D14



REINFORCING BAR DIAGRAMS
NTS



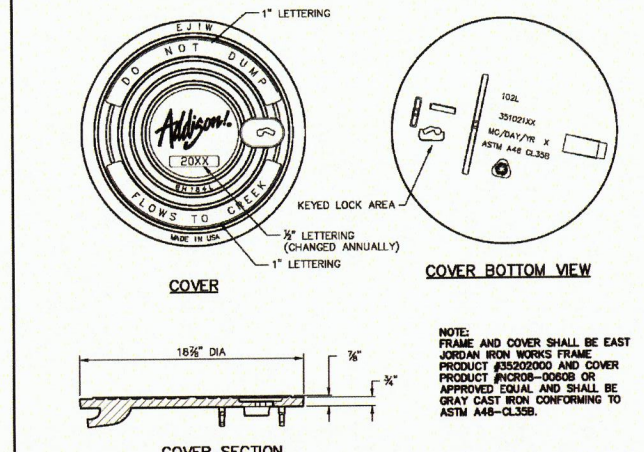
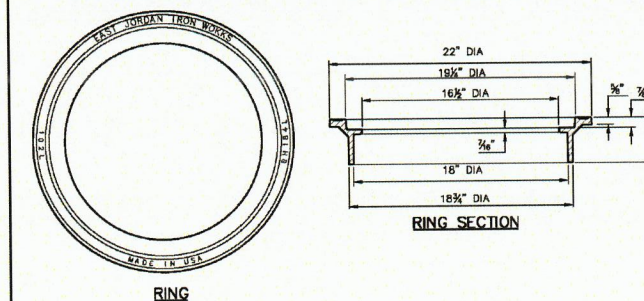
BAR DIAGRAMS (BRICK ON INLET)
NTS

NOTE: BAR DESIGNATIONS AND DIMENSIONS ARE DIFFERENT FROM STEEL SCHEDULE FOR REGULAR INLETS

Addison!
PUBLIC WORKS DEPARTMENT

REINFORCING BAR DIAGRAMS

STANDARD CONSTRUCTION DETAILS
STORM DRAINAGE
DATE: AUGUST, 2010 REV DATE: SHEET: 30-D22



Addison!
PUBLIC WORKS DEPARTMENT

INLET FRAME & COVER

STANDARD CONSTRUCTION DETAILS
STORM DRAINAGE
DATE: AUGUST, 2010 REV DATE: SHEET: 30-D24

THIS DOCUMENT IS RELEASED FOR THE PURPOSE OF PRICING AND INTERIM REVIEW UNDER THE AUTHORITY OF RICHARD CARSON, JR. P.E. NO. 40854 ON 2/6/15.

Benchmark
Town of Addison Control Point No. COA-5, 190 feet south from the intersection of Edwin Lewis Dr & Quorum Drive. Then 2 feet from the west edge of sidewalk, 50.5 feet from the west side of median in Quorum Dr & 76 feet from fire hydrant.
NAVD 88 Elevation = 630.10'

18

Piburn & Carson, LLC
801 E. Campbell Road - Suite 575
Richardson, Texas 75081
PH: (214) 358-3800 FAX: (214) 358-2512
www.piburncarson.com email@piburncarson.com
Surveying Firm #3207-02 Engineering Firm #01-0204

STORM SEWER DETAILS
HOME 2 SUITES by HILTON
SITE DEVELOPMENT
PUBLIC WORKS DEPARTMENT
TOWN OF ADDISON, TEXAS

DESIGN	DRAWN	DATE	SCALE	NOTES	FILE	NO.
RC	JRG	2/6/15	1"=20'	PC	-	-

File name: \\HD-HTTGL1\AF\share\Drawings\2013\13164-HOME 2 SUITES Addison\Design Data\Sheets\13164-C-STM01.dwg Date: Friday, February 06, 2015 Time: 2:08 PM Plotted by: Jorge Gonzalez