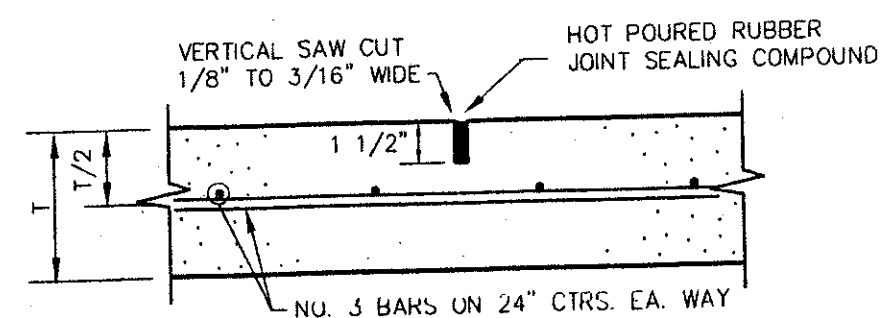
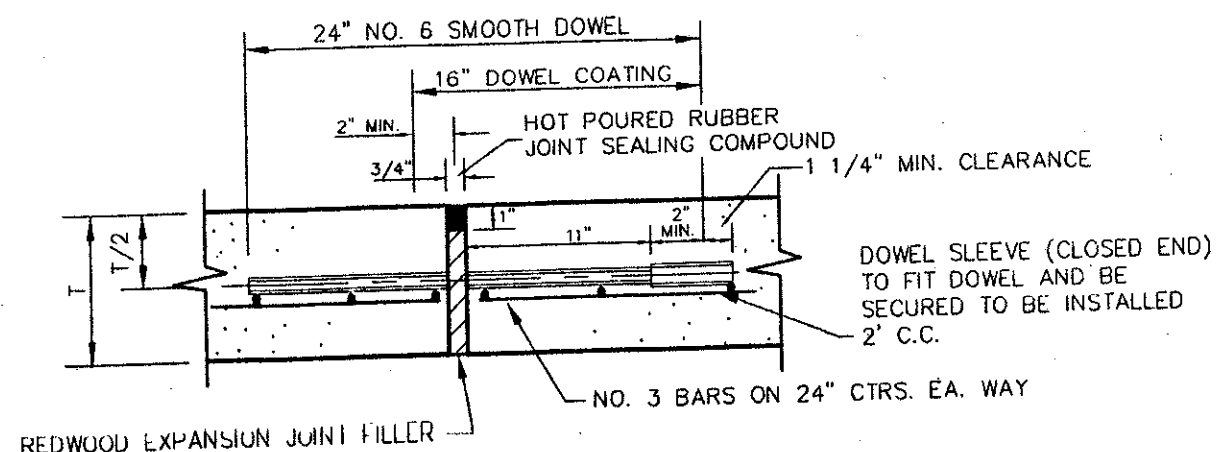


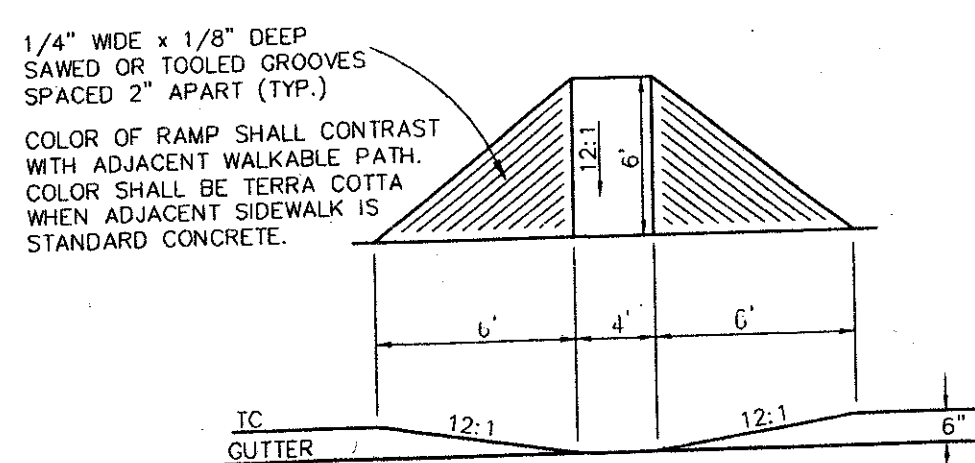
**CONSTRUCTION JOINT**  
N.T.S.



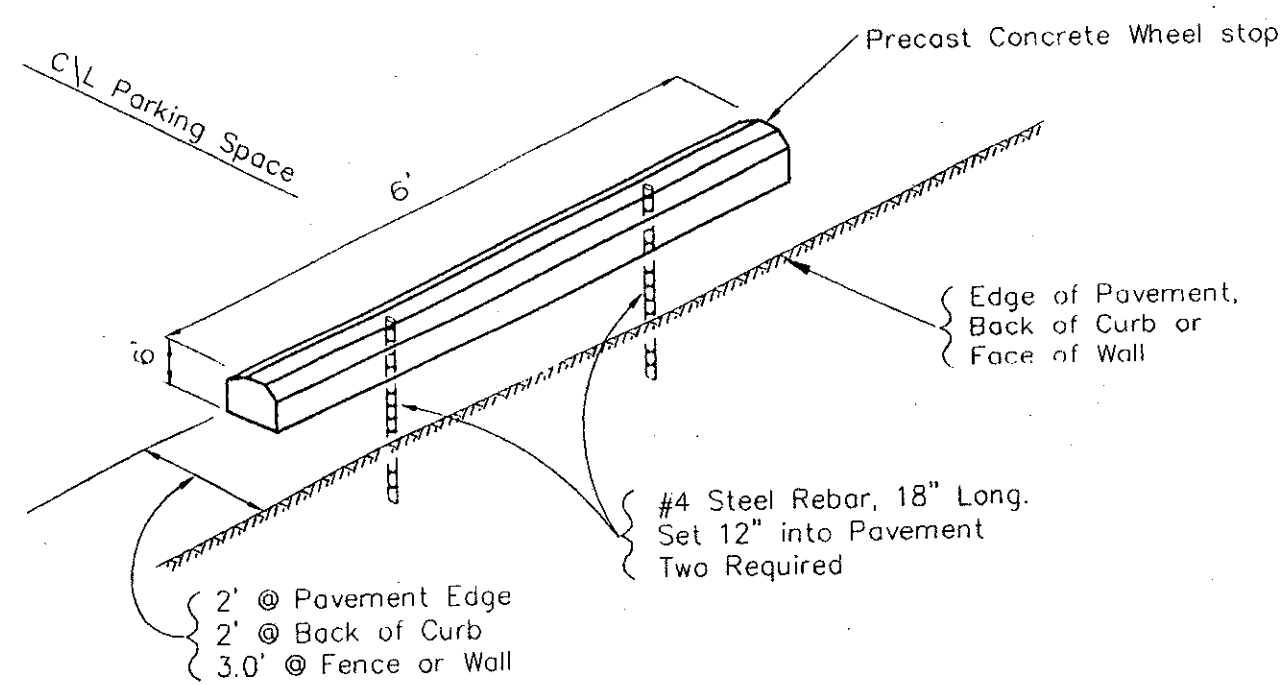
**SAWED DUMMY (CONTROL) JOINT**  
(MATCH EXISTING SPACING)  
N.T.S.



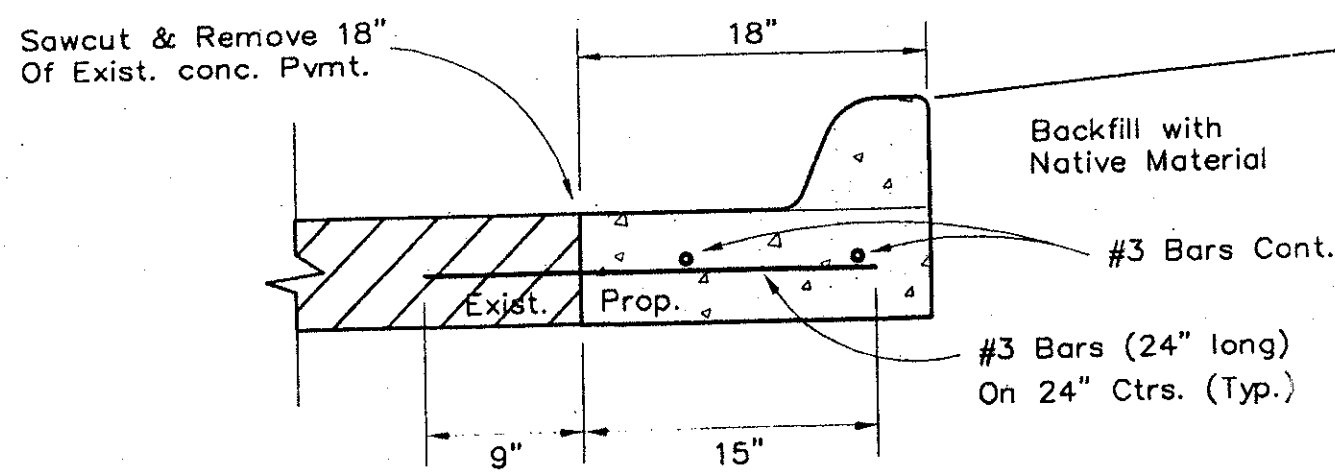
**EXPANSION JOINT**  
(MATCH EXISTING SPACING)  
N.T.S.



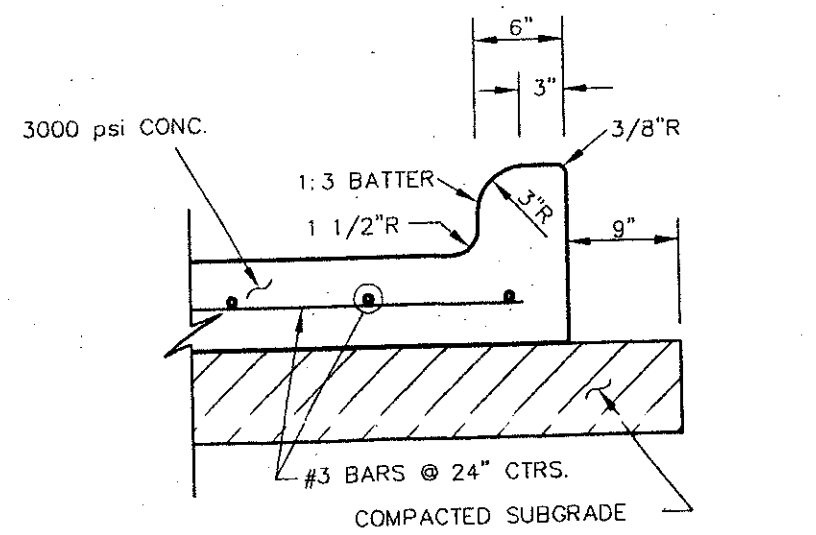
**BARRIER FREE RAMP**  
N.T.S.



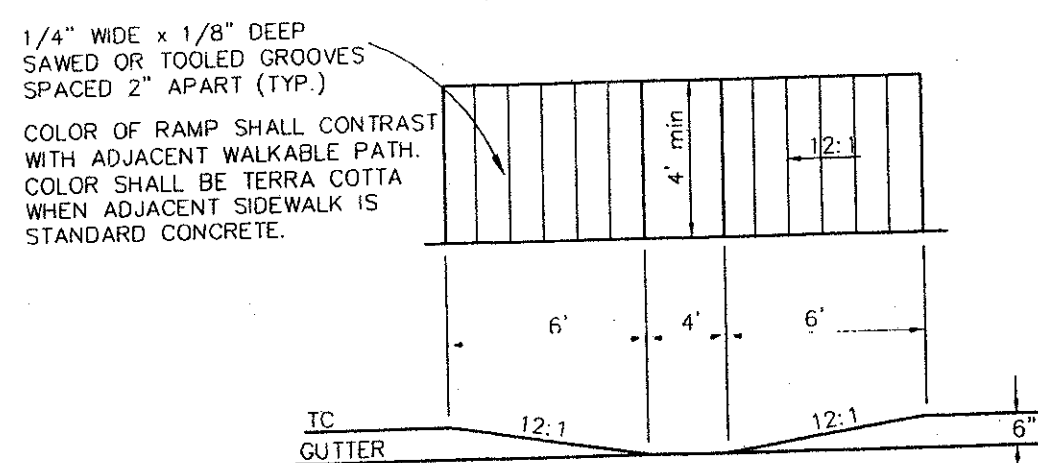
**WHEEL STOP**  
N.T.S.



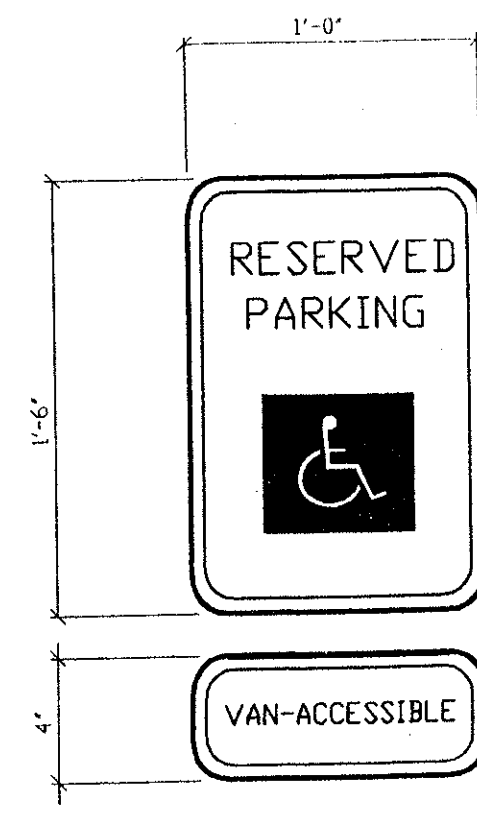
**CURB CONNECTION DETAIL**  
N.T.S.



**INTEGRAL CURB**  
N.T.S.



**BARRIER FREE RAMP**  
N.T.S.

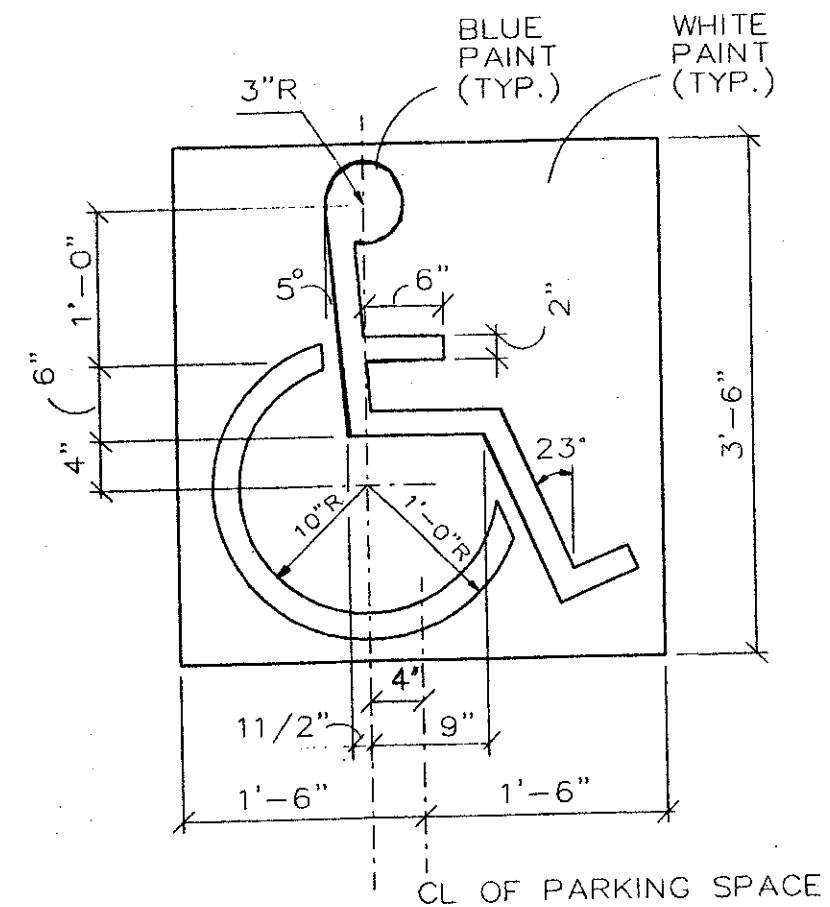


COLORS:  
LETTERS AND BORDER - GREEN  
SYMBOL ON BLUE BACKGROUND  
SIGN BACKGROUND - WHITE

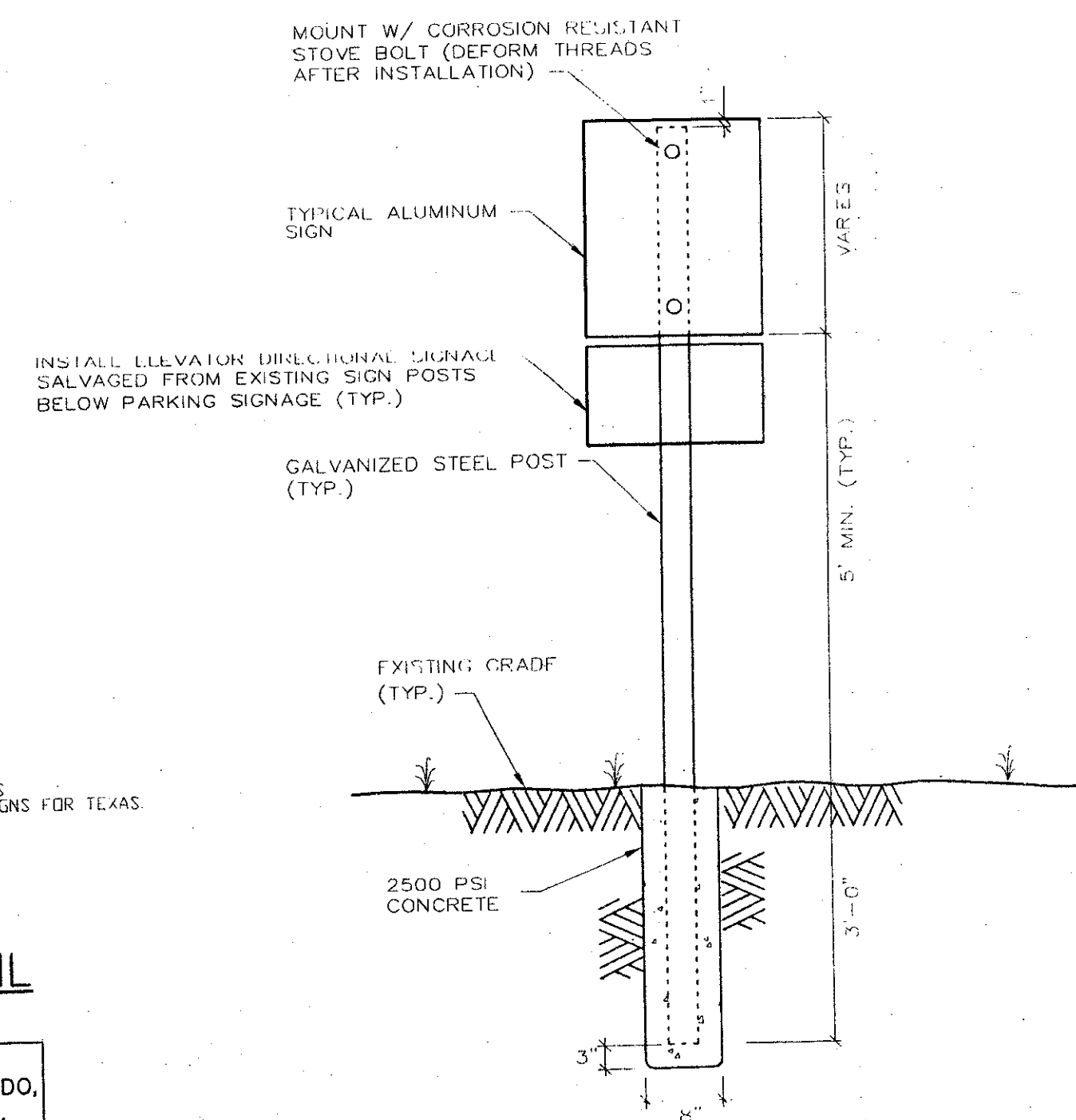
- NOTES:  
1. SPACING BETWEEN LETTERS, COLORS, AND PROCESSES SHALL CONFORM STANDARD HIGHWAY AND SIGN DESIGNS FOR TEXAS.  
2. INSTALL WHERE INDICATED ON PLANS.  
3. VAN-ACCESSIBLE SIGNAGE ON VAN SPACES ONLY.

**TYPICAL SIGNAGE DETAIL**  
N.T.S.

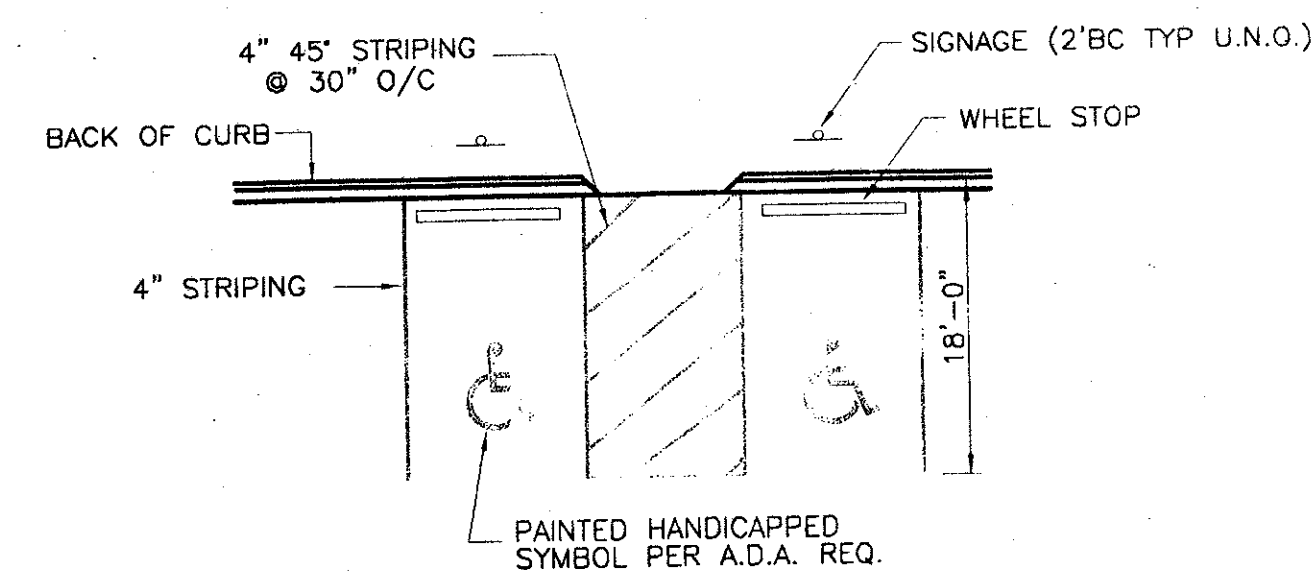
CONTRACTOR SHALL DETERMINE IF EX. SIGNS COMPLY WITH CURRENT STANDARDS. IF THEY DO, THE SALVAGED SIGNS SHALL BE RE-INSTALLED. IF THEY DO NOT, THE CONTRACTOR SHALL PURCHASE AND INSTALL NEW SIGNS.



**HANDICAP PARKING SYMBOL DETAIL**  
N.T.S.



**TYPICAL SIGNAGE MOUNTING DETAIL**  
N.T.S.



**HANDICAP PARKING SPACE DETAIL**  
SCALE: N.T.S.

<p>PLAZA AT THE QUORUM II</p>					
<p>CIVIL DETAILS TOWN OF ADDISON DALLAS COUNTY, TEXAS ORACLE ENGINEERING 7012 Lindsley Avenue Dallas, Texas 75223 TELE (214) 321-1436 FAX (214) 853-9381</p>					
DESIGN	DRAWN	DATE	SCALE	FILE	NO.
MPK	MPK	10/2005	N.T.S.	-	C8