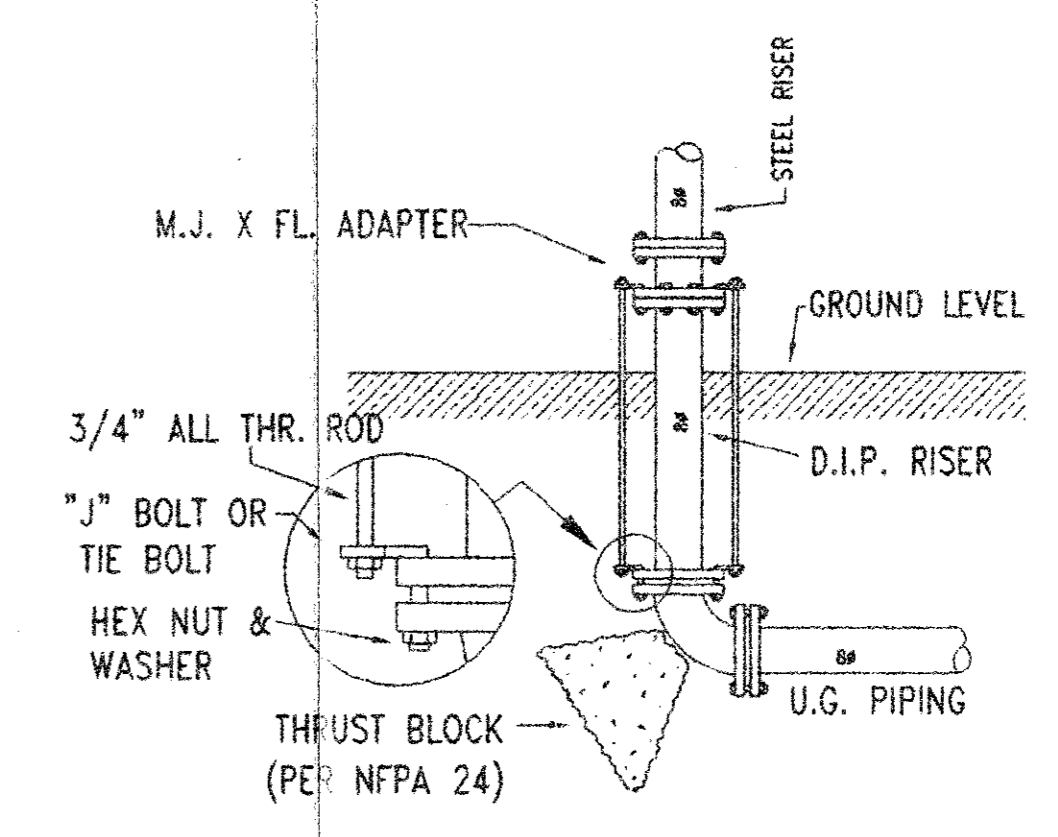


DOUBLE CHECK DOUBLE DETECTOR ASSMB.



UNDERGROUND STUB UP W/ ROD

FLOWING TEST INF.	
STATIC PRESSURE	54.PSI
RESIDUAL PRESSURE	48.PSI
FLOWING	2006 GPM
AT	4803 BELT LINE
BY	CITY OF ADDISION
DATE	MAY 4TH 1997@9AM

SITE PLAN
NO SCALE

REV. NO.	DATE	BY	GEN. DESCRIPTION	REVIEWING AGENCY	GENERAL NOTES	PIPING SHALL BE:	DESIGN CRITERIA	SYSTEM	SPRINKLERS
				CITY OF ADDISION	CONTROL ELEVATION	FEED MAIN	OCCUPANCY:	WET	TYPE
				OWNER-OCCUPANT	CONTROL DIMENSION	CROSS MAIN	HAZARD:	DRY	OR
				PAYLESS CASHWAY	BTOS BELOW TOP OF STEEL	BRANCH LINE	CLASS:	DELUGE	K
				500 N. STEMMON FREEWAY	AFF ABOVE FINISHED FLOOR	STARTER PIECES	DENSITY:	PREACTION	TEMP
				LAKE DALLAS, TX 75065		RISER NIPPLES	CALCULATED AREA:	FOAM	QUANT
				DESIGNER		ARMOVERS	AREA PER SPRINKLER:	COMBO	
				VAN-IRAN	SPRINKLER PIPING DIMENSIONS	BRANCH LINE FITTINGS	STORAGE HEIGHT:		
					MIN. 1/2" TO 2"	CLASS 125 BLACK CAST IRON	NOTES:		

AMERICAN AUTOMATIC SPRINKLER INC.
600 DeCosto Street Ft. Worth, Texas 76111
Phone: 831-0366 Metro: 429-2504

PAYLESS CASHWAY # 20
4803 BELT LINE ROAD
ADDISION TEXAS 75001

SCALE 1/8"=1'-0"
DATE 4/30/97
SYS UNDERGROUND
CONTRACT 10-0982

REVISED BY: _____
P.M. LICENSE NO. 0186
EXPIRATION DATE: 10-23-97
REG. SPRINKLER NO. 500-0000

