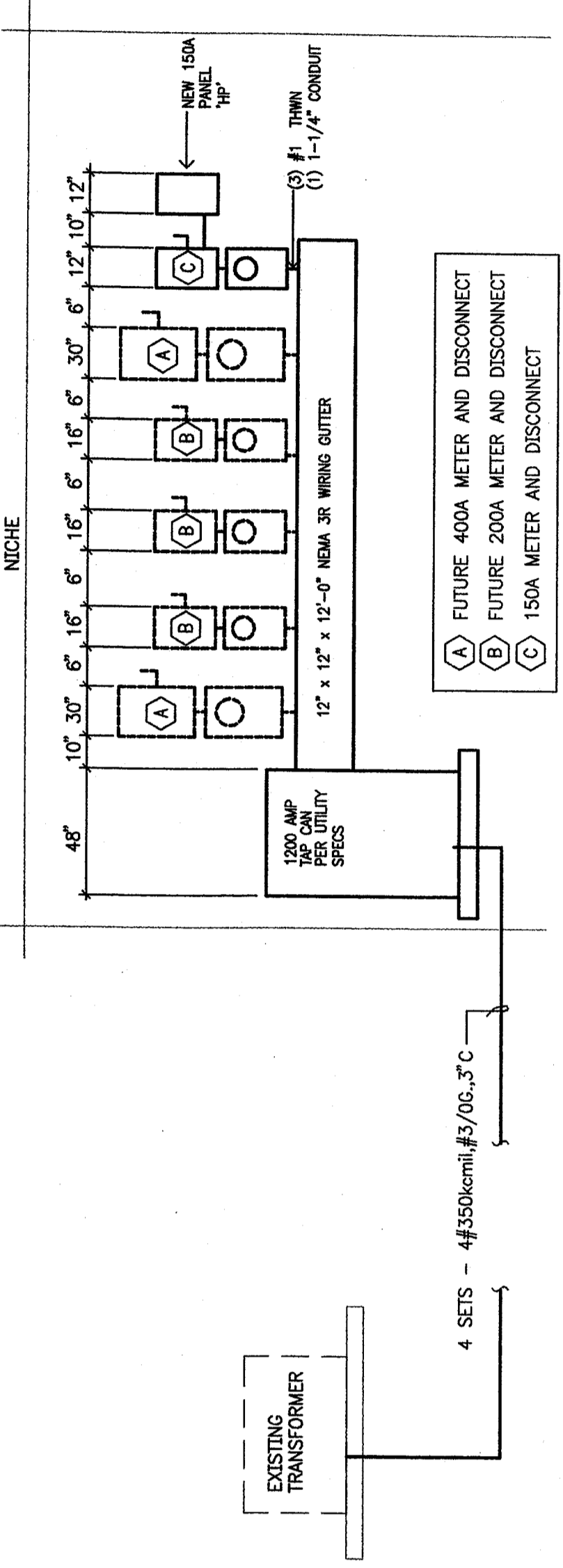
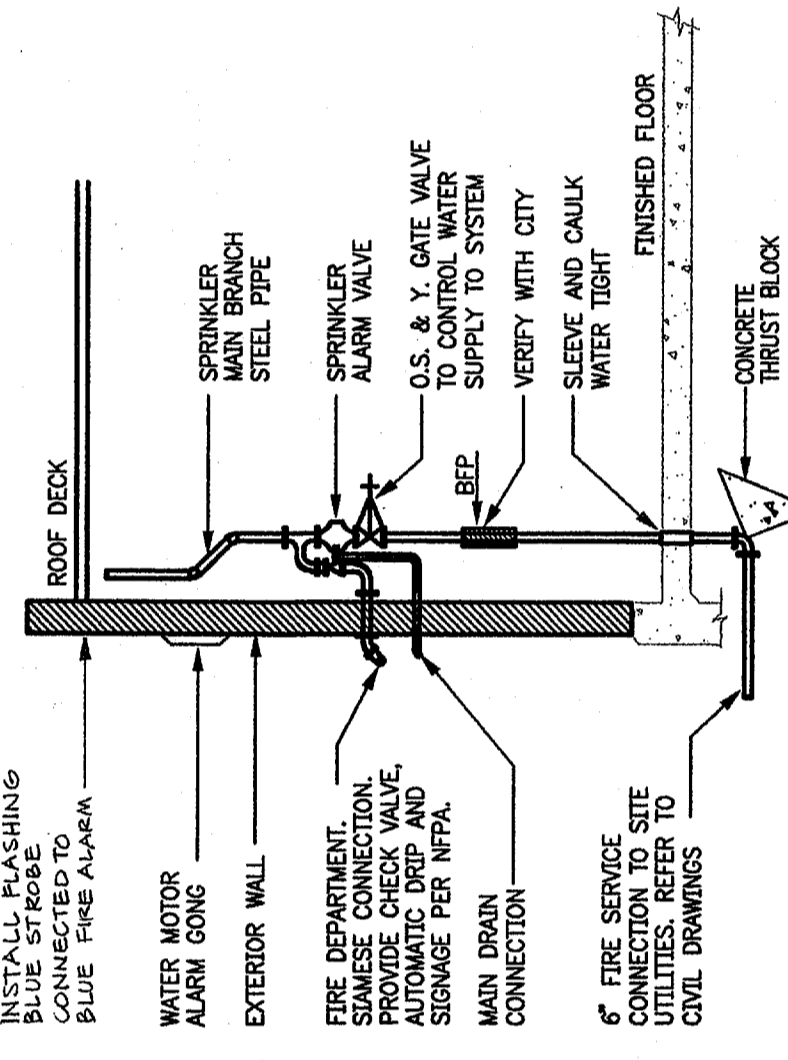


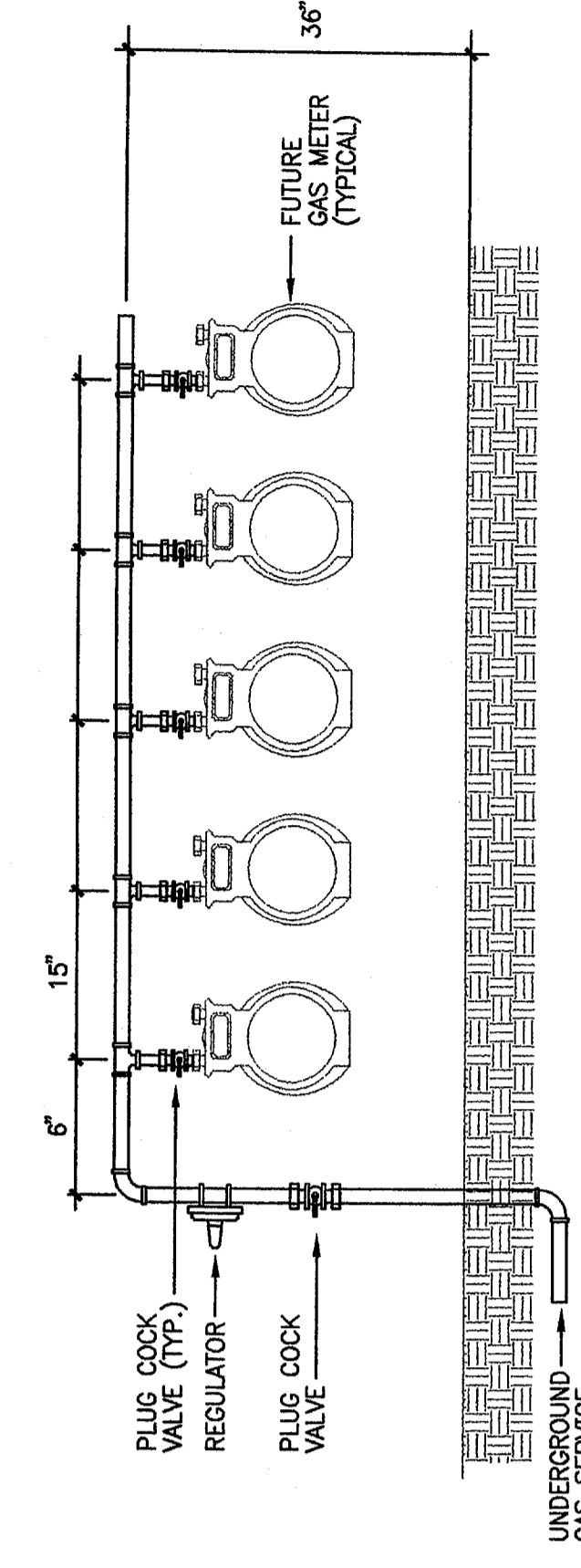
MEZA ENGINEERING, INC.  
 1700  
 The Seal Appearing on This  
 Document Was Authorized By  
 the State Board of Professional  
 Engineers, P.E. # 8105 ON  
 JANUARY 23, 2004  
 www.mezaincorporation.com  
 Project: 00061000



**02 NEW ELECTRICAL RISER**  
 SCALE: NO SCALE

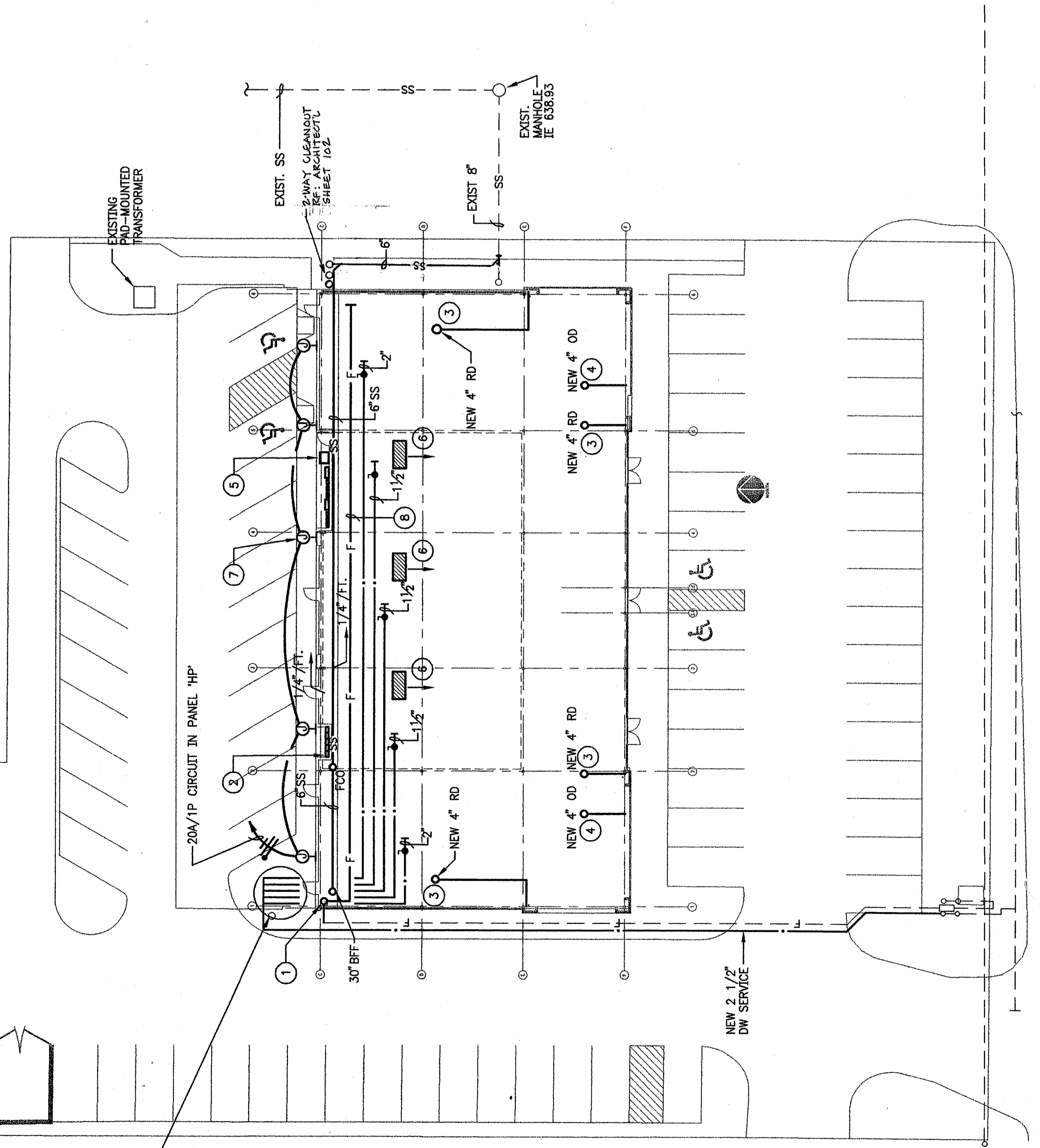


**03 SPRINKLER ALARM RISER**  
 SCALE: NO SCALE



**04 GAS MANIFOLD DETAIL**  
 SCALE: NO SCALE

- NOTES BY SYMBOL**
- FIRE SPRINKLER RISER. REFER TO 3/MEP-2. MODIFY EXISTING FIRE PROTECTION SYSTEM.
  - EXISTING RISER IN NICHE WITH GRADE PROVIDED FOR 6 METERS. FUTURE PIPING TO RISE UP OUTSIDE WALL TO ROOF MOUNTED EQUIPMENT. COORDINATE TO EXTEND SERVICE TO NEW LOCATION WITH THE UTILITY COMPANY. VERIFY EXACT LOCATION WITH ARCHITECT.
  - PROVIDE NEW ROOF DRAINAGE. PROVIDE FOR NEW DRAIN AND OVERFLOW. COORDINATE WITH ROOFING CONTRACTOR. SLOPE HORIZ. PIPE AT MIN 1/4" PER FOOT.
  - PROVIDE NEW 4" OVERFLOW DRAIN WITH NEW PIPING OUT THROUGH WALL WITH BRONZE NOZZLE. PROVIDE ADDITIONAL OVERFLOW DRAIN SCUPPERS THROUGH BACK PANEL AS REQUIRED. NOTIFY ENGINEER OF ANY DISCREPANCIES.
  - NEW ELECTRICAL SERVICE TO BE LOCATED IN NICHE. COORDINATE LOCATION OF SERVICE WITH UTILITY COMPANY AND VERIFY EXACT LOCATION OF NICHE WITH ARCHITECT. REFER TO DETAIL 02/RIS SHEET.
  - UNIT HEATER: BERKO #H4HA-520, 5KW, 208V/1Ø. PROVIDE WITH MOUNTING BRACKET AND THERMOSTAT. SERVE FROM PANEL "HP".
  - INDICATES NEW WALL MOUNTED AREA LIGHT. WITH 50W METAL HALIDE LAMP. LAMP LINE #14014 XMM C2/MH50/R Ø8 (VERIFY FINISH WITH ARCHITECT). COORDINATE EXACT LOCATION OF FIXTURES WITH ARCHITECT PRIOR TO ROUGH-IN.
  - NEW FIRE SPRINKLER MAIN. CONNECT EXISTING BRANCHES TO NEW MAIN. FIRE PROTECTION CONTRACTOR TO FIELD VERIFY EXACT REQUIREMENTS.



**01 NEW SITE PLAN**  
 SCALE: 1"=20'-0"

