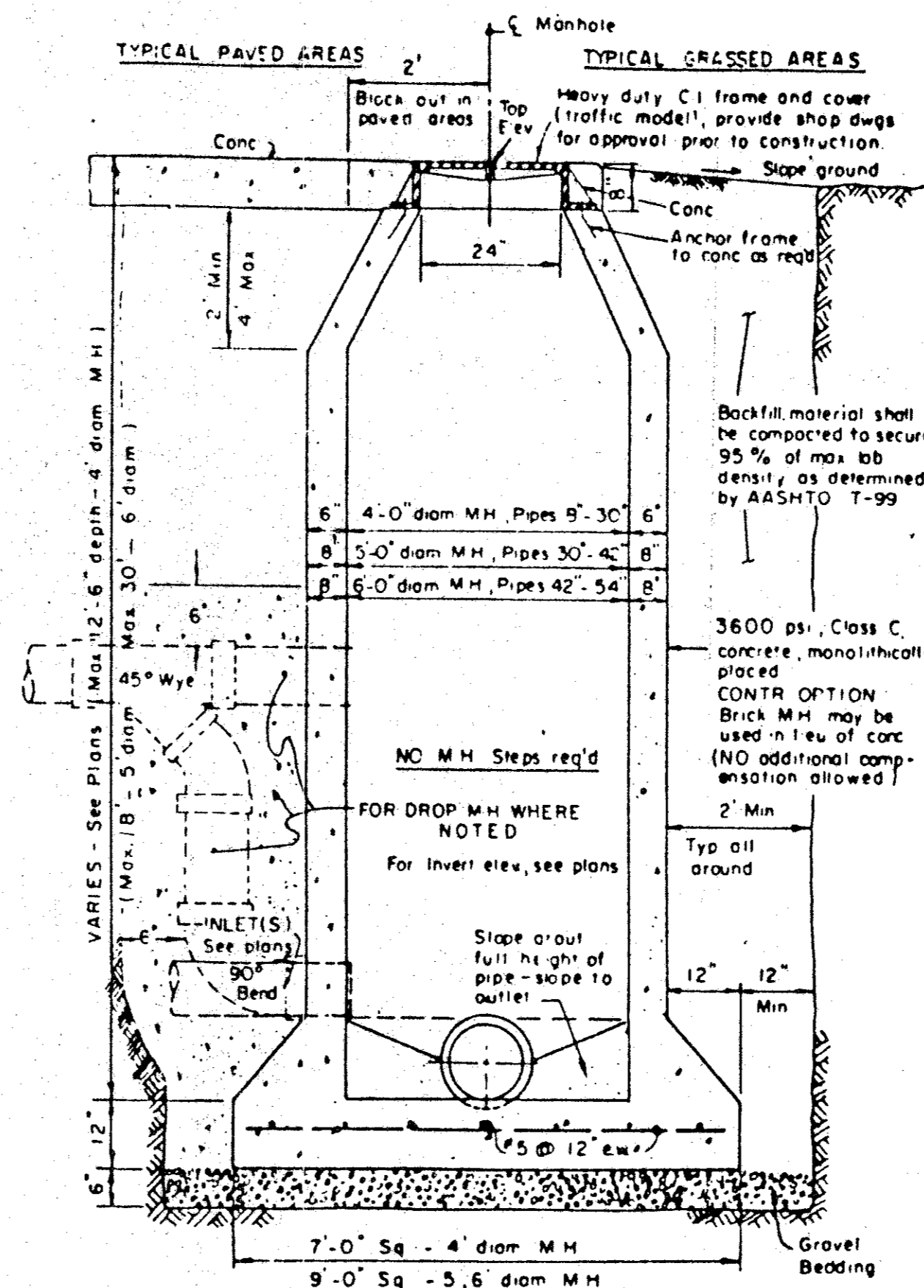
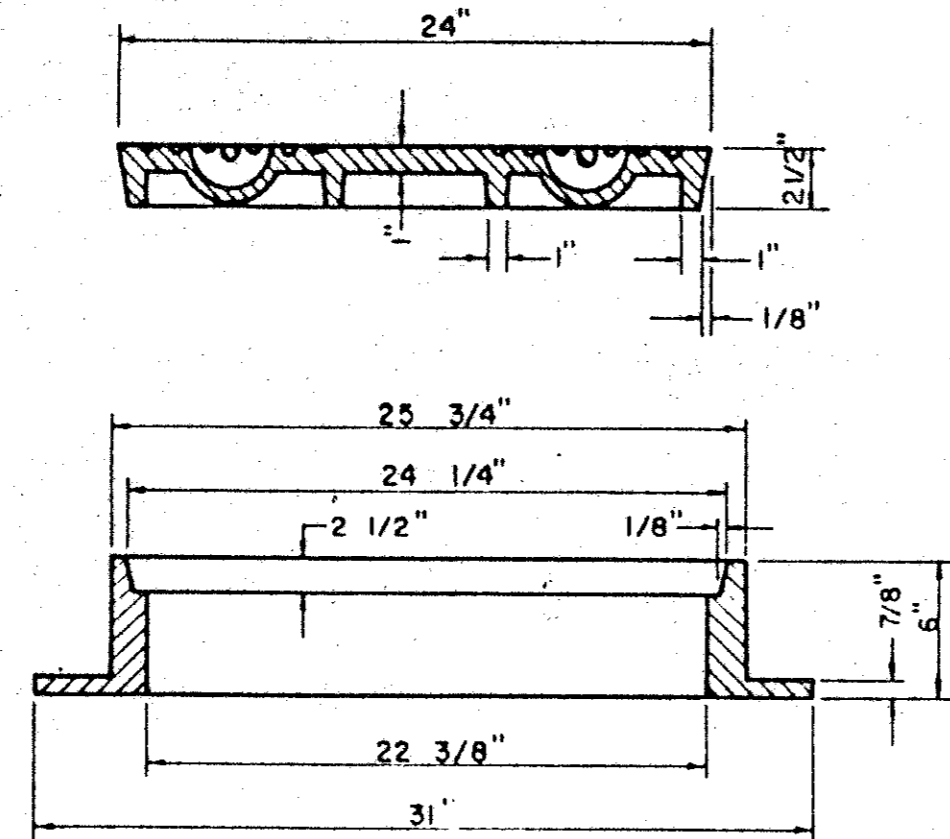


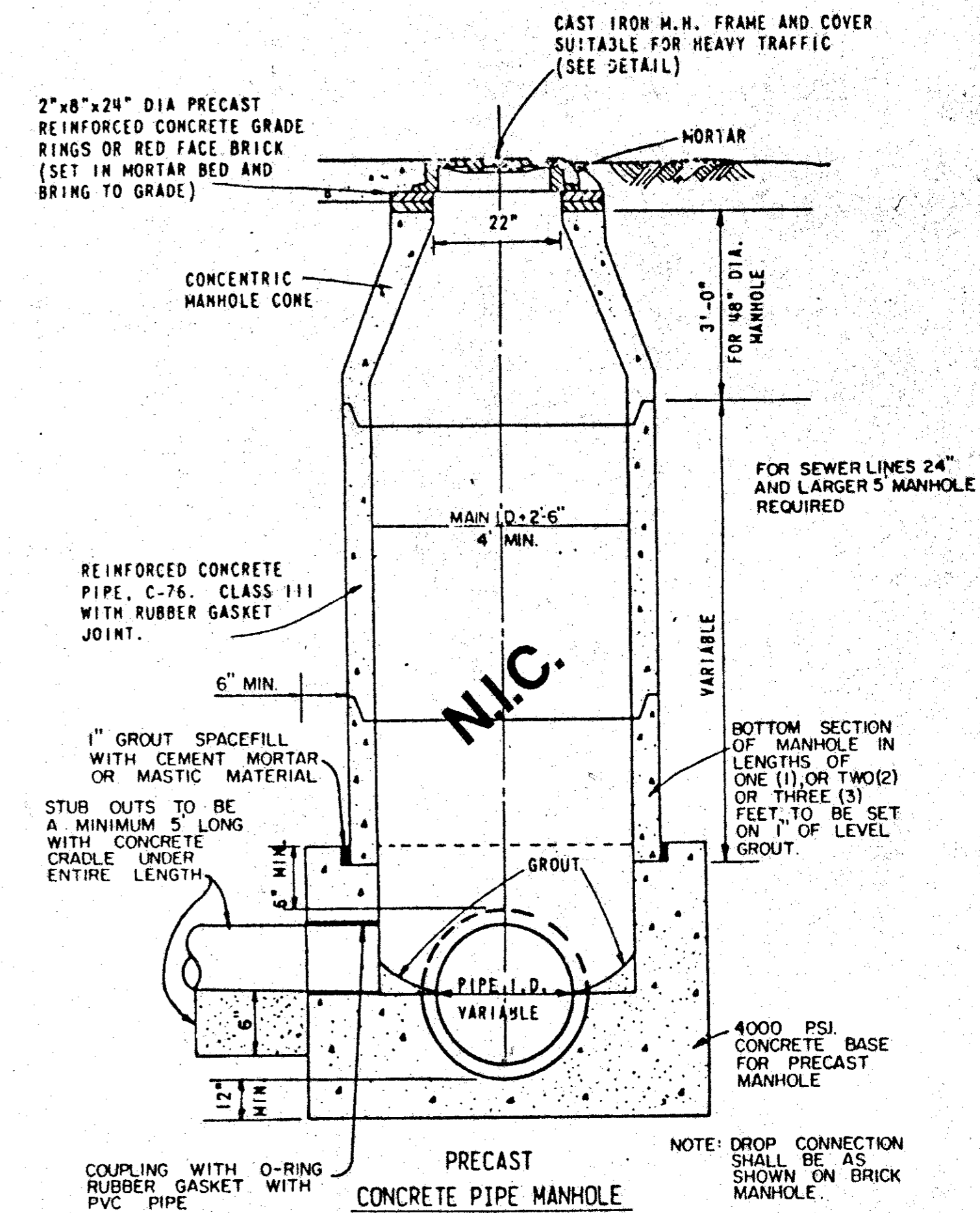
APPROX.
WEIGHT
RING AND COVER
385 LBS.

CAST IRON GRATE AND FRAME DETAIL

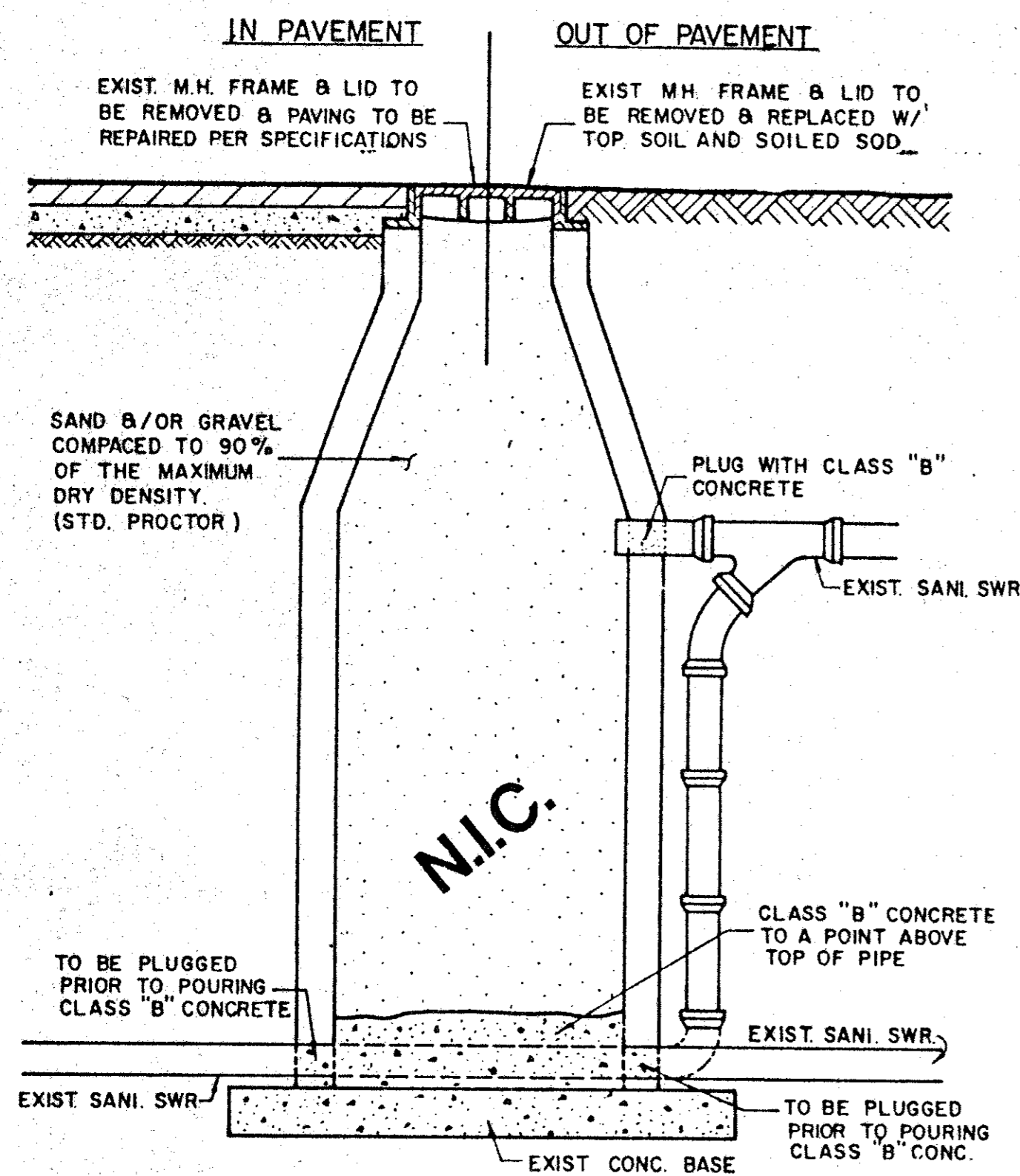


CAST IN PLACE MANHOLE

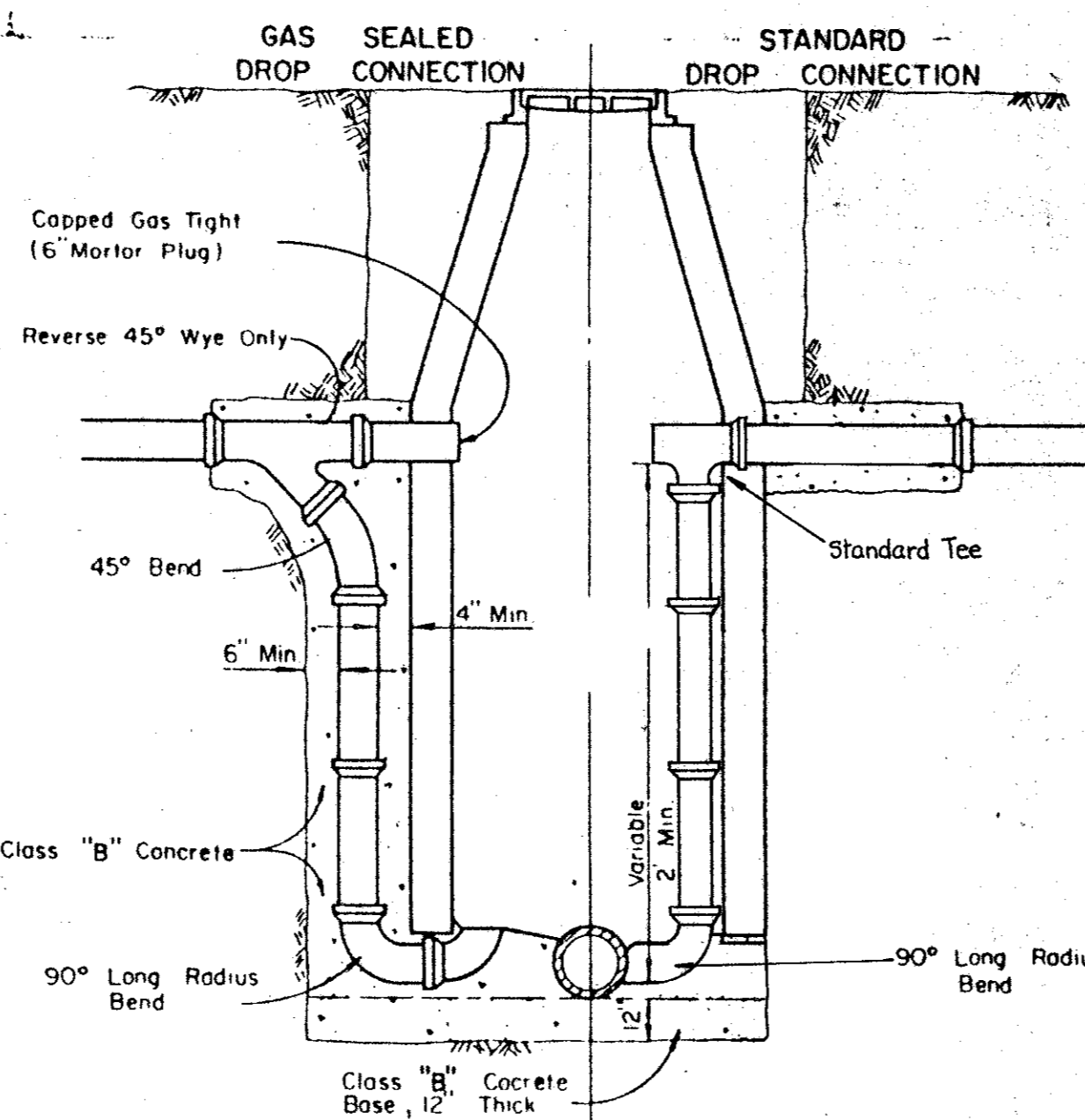
WHERE DROP M.H. IS REQUIRED, USE INSIDE DROP CONNECTION AS PER TOWN OF ADDISON STANDARDS.



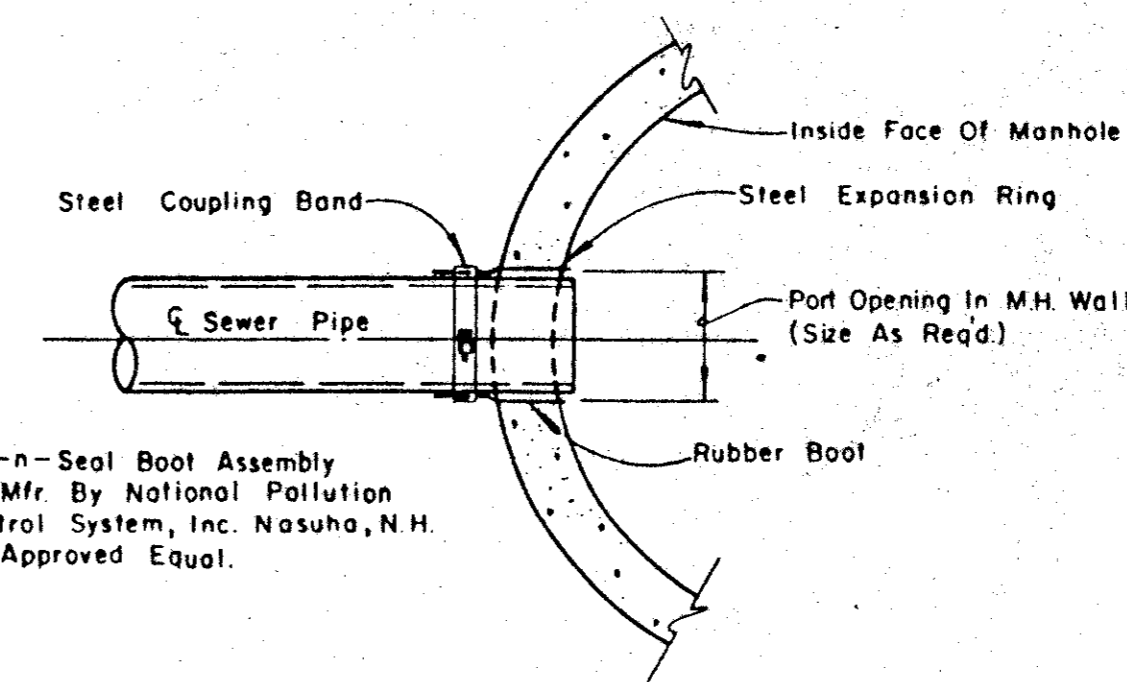
PRECAST MANHOLE



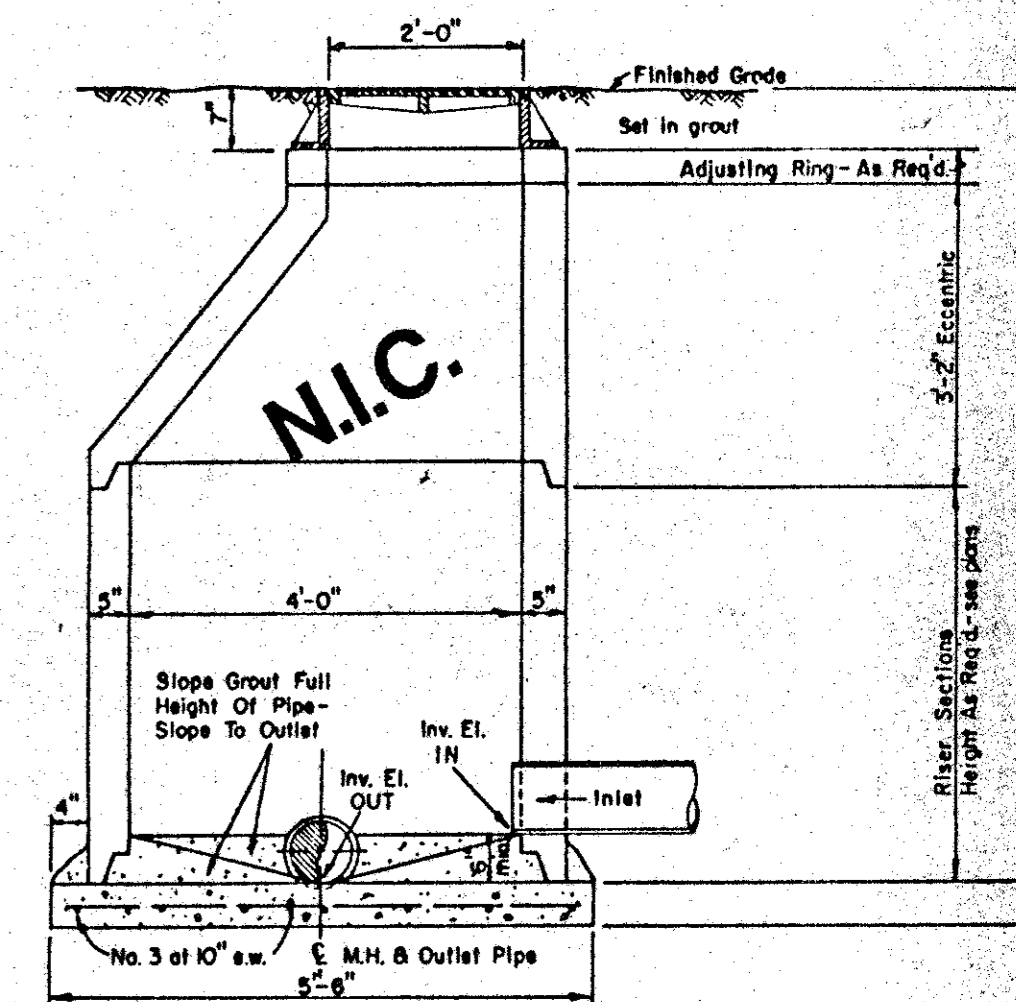
ABANDONMENT OF EXISTING MANHOLE IN AND OUT OF PAVEMENT



DROP CONNECTIONS FOR SANITARY SEWER MANHOLES



TYPICAL SEWER CONNECTION AT MANHOLE



ECCENTRIC MANHOLE DETAIL

NOTE: Contractor To Install Kor-n-Seal Boot Assembly Per Mfr. Recommendations In A Neat And Workman-Like Manner.

CLASS B Conc. - 2000psi at 28 days(Compressive)

TOWN OF ADDISON, TEXAS
DEPARTMENT OF ENGINEERING
STANDARD CONSTRUCTION DETAILS
SANITARY SEWER
MANHOLES AND CONNECTIONS

Designed -	Drawn -	Date - JULY, 1991	Job No. -
Approved -	Checked -	Scale -	Sheet D-6 OF